

Power connector - SACC-M12FS-4CON-PG11-M PWR



1404416

<https://www.phoenixcontact.com/pc/products/1404416>

Please be informed that the data shown in this PDF document is generated from our Online Catalog. Please find the complete data in the user documentation. Our General Terms of Use for Downloads are valid.



Power connector, 4-position, Socket straight M12, Coding: A, Screw connection, knurl material: Zinc die-cast, nickel-plated, cable gland Pg11, external cable diameter 8 mm ... 10 mm

Your advantages

- Safe use in the field, thanks to a high degree of protection
- Screw connection: proven connection technology for a large selection of different conductors

Power connector - SACC-M12FS-4CON-PG11-M PWR



1404416

<https://www.phoenixcontact.com/pc/products/1404416>

Commercial Data

Item number	1404416
Packing unit	1 pc
Minimum order quantity	1 pc
Product Key	BF2CAA
Catalog Page	Page 22 (C-2-2019)
GTIN	4046356694483
Weight per Piece (including packing)	27.26 g
Weight per Piece (excluding packing)	27.26 g
Customs tariff number	85366990
Country of origin	DE

1404416

<https://www.phoenixcontact.com/pc/products/1404416>

Technical Data

Notes

General	Strip 22 mm off the cable sheath, strip 7 mm off the conductor insulation, crimp the ferrule, then shorten this to 5 mm. Length of conductor with shortened ferrule: 20 mm. Connect conductors and tighten the mounting screws with 0.2 Nm.
Assembly instruction:	NOTE: Observe the permissible bending radii when laying conductors, since the degree of protection may be put in jeopardy if the bending forces are too high. Alleviate mechanical loads upstream of the connector, e.g. by using cable ties.

Product properties

Product type	Circular connector (cable-side)
Number of positions	4
Application	Power supply
No. of cable outlets	1
Shielded	no
Coding	A - standard
Cable outlet	straight
Pg screw connection	Pg11

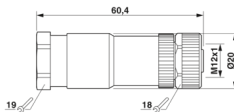
Insulation characteristics

Overvoltage category	II
Degree of pollution	3

Ambient conditions

Degree of protection	IP67
Ambient temperature (operation)	-40 °C ... 85 °C (Plug / socket)

Dimensions

Dimensional drawing	
Width	20 mm
Height	20 mm
Length	60.4 mm

External dimensions

Outside diameter	8 mm ... 10 mm
------------------	----------------

Housing

Diameter housing	20 mm
------------------	-------

Connector

1404416

<https://www.phoenixcontact.com/pc/products/1404416>

Insertion/withdrawal cycles	≥ 100
-----------------------------	-------

Header 1

Head design	Socket
Head cable outlet	straight
Head thread type	M12
Coding	A-coded

Electrical properties

Rated surge voltage	2.5 kV
Contact resistance	≤ 3 mΩ
Insulation resistance	> 10 GΩ
Nominal voltage U_N	250 V AC
	250 V DC
Nominal current I_N	8 A (when using 1.5 mm ² conductors)

Material specifications

Color Handle area	black
Flammability rating according to UL 94	V0
Sealing material	Viton (M12 socket)
	NBR (Cable clamping)
Material of grip body	PA
Contact material	CuZn
Contact surface material	Ni/Au
Contact carrier material	PA
Cable gland material	Zinc die-cast, nickel-plated

Connection data

Conductor connection

Connection method	Screw connection
Conductor cross section flexible	0.75 mm ² ... 1.5 mm ²
Cross section AWG	18 ... 16

Standards and regulations

Standards/specifications	IEC 61076-2-101
--------------------------	-----------------

Cable / line

Cable structure

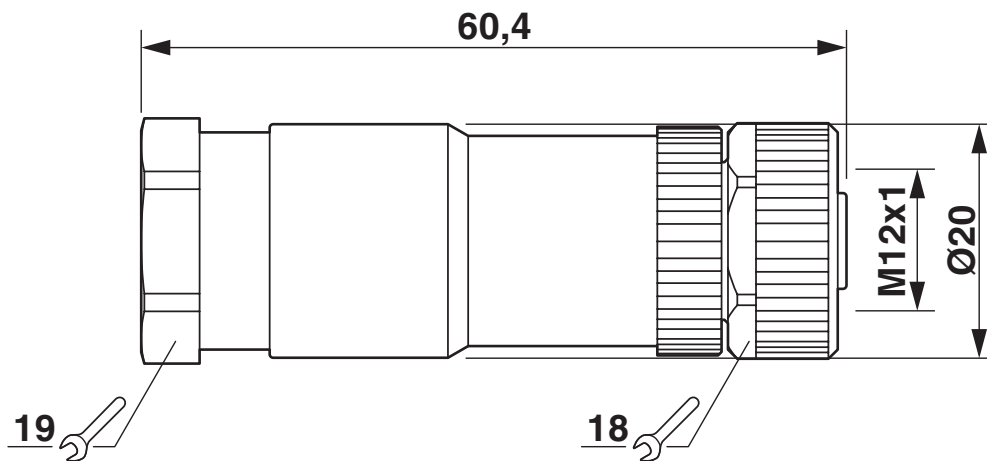
Stripping length of the individual wire	5 mm
---	------

1404416

<https://www.phoenixcontact.com/pc/products/1404416>

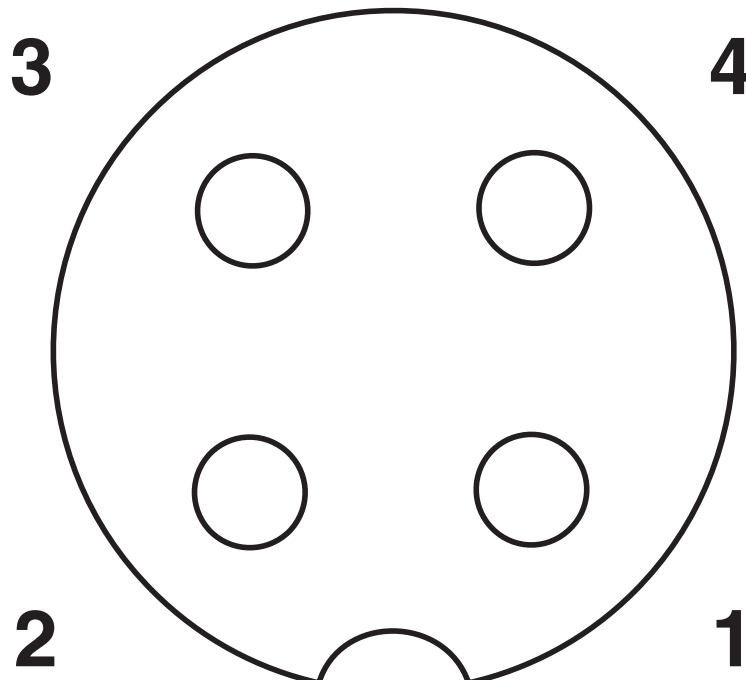
Drawings

Dimensional drawing



M12 x 1 socket, straight

Schematic diagram



Pin assignment M12 socket, 4-pos., A-coded, view female side


Power connector - SACC-M12FS-4CON-PG11-M PWR





1404416

<https://www.phoenixcontact.com/pc/products/1404416>

Approvals

 cUL Recognized Approval ID: FILE E 221474				
	Nominal Voltage U_N	Nominal Current I_N	Cross Section AWG	Cross Section mm^2
	250 V	4 A	-	-

 UL Recognized Approval ID: FILE E 221474				
	Nominal Voltage U_N	Nominal Current I_N	Cross Section AWG	Cross Section mm^2
	250 V	4 A	-	-

 EAC Approval ID: RU C-DE.BL08.B.00511				
---	--	--	--	--

cULus Recognized				
-------------------------	--	--	--	--

1404416

<https://www.phoenixcontact.com/pc/products/1404416>

Classifications

ECLASS

ECLASS-9.0	27440102
ECLASS-10.0.1	27440102
ECLASS-11.0	27440102

ETIM

ETIM 8.0	EC002635
----------	----------

UNSPSC

UNSPSC 21.0	39121400
-------------	----------

1404416

<https://www.phoenixcontact.com/pc/products/1404416>

Environmental Product Compliance

REACH SVHC	Lead 7439-92-1
China RoHS	Environmentally Friendly Use Period = 50 years
	For information on hazardous substances, refer to the manufacturer's declaration available under "Downloads"

1404416

<https://www.phoenixcontact.com/pc/products/1404416>

Accessories

Screw plug

Screw plug - PROT-M12 MS-PA-CHAIN - 1430899

<https://www.phoenixcontact.com/pc/products/1430899>

M12 sealing cap with fixing band, for sensor cables, for free M12 sockets



Screwdriver

Screwdriver - SZF 1-0,6X3,5 - 1204517

<https://www.phoenixcontact.com/pc/products/1204517>

Actuation tool, for ST terminal blocks, also suitable for use as a bladed screwdriver, size: 0.6 x 3.5 x 100 mm, 2-component grip, with non-slip grip



1404416

<https://www.phoenixcontact.com/pc/products/1404416>

Ferrule

Ferrule - A 1,5 - 7 - 3200263

<https://www.phoenixcontact.com/pc/products/3200263>

Ferrule, length: 7 mm, color: silver



Stripping tool

Stripping tool - WIREFOX 6SC - 1212158

<https://www.phoenixcontact.com/pc/products/1212158>



Stripping tool, for cables and conductors (especially for cables protected against short circuits and ground leakages) 1.5 - 6 mm², self-adjusting, stripping length of up to 18 mm, cutting capacity of up to 10 mm² stranded/1.5 mm² solid, replaceable stripping blade

Power connector - SACC-M12FS-4CON-PG11-M PWR



1404416

<https://www.phoenixcontact.com/pc/products/1404416>

Torque screwdriver

Torque screwdriver - TSD 04 SAC - 1208429

<https://www.phoenixcontact.com/pc/products/1208429>



Torque screwdriver, with preset torque of 0.4 Nm and 4 mm hexagonal drive for M12 connectors

Torque screwdriver

Torque screwdriver - TSD-M 1,2NM - 1212224

<https://www.phoenixcontact.com/pc/products/1212224>



Torque screw driver, accuracy as per EN ISO 6789 standard, adjustable from 0.3 - 1.2 Nm

1404416

<https://www.phoenixcontact.com/pc/products/1404416>

Adapter insert

Adapter insert - TSD-M SAC-BIT ADAPTER - 1212600

<https://www.phoenixcontact.com/pc/products/1212600>



Adapter bit for TSD-M...torque tools, E6.3-1/4" drive with 4 mm hexagon to accommodate SAC bits

Crimping pliers

Crimping pliers - CRIMPFOX 6H - 1212046

<https://www.phoenixcontact.com/pc/products/1212046>



Crimping pliers, for ferrules without insulating collar according to DIN 46228 Part 1 and ferrules with insulating collar according to DIN 46228 Part 4, 0.14 mm² ... 6 mm², unlockable pressure lock, lateral entry

Power connector - SACC-M12FS-4CON-PG11-M PWR



1404416

<https://www.phoenixcontact.com/pc/products/1404416>

Tool

Tool - SACC BIT M12-D20 - 1208445

<https://www.phoenixcontact.com/pc/products/1208445>

Nut for assembling M12 connectors for assembly with a knurl diameter of 20 mm, for 4 mm hexagonal drive



Phoenix Contact 2022 © - all rights reserved

<https://www.phoenixcontact.com>

PHOENIX CONTACT GmbH & Co. KG

Flachsmarktstraße 8

D-32825 Blomberg

+49 (0) 5235-3 00

info@phoenixcontact.com