

# Connector - SACC-M12MS-4QO-0,75-VA



1440779

<https://www.phoenixcontact.com/pc/products/1440779>

Please be informed that the data shown in this PDF document is generated from our Online Catalog. Please find the complete data in the user documentation. Our General Terms of Use for Downloads are valid.

---



Connector, Universal, 4-position, Plug straight M12, Coding: A, Insulation displacement connection, knurl material: Stainless steel 1.4404, external cable diameter 4 mm ... 8 mm

---

## Your advantages

- Safe use in the field, thanks to a high degree of protection
- Insulation displacement connection: innovative and time-saving assembly without stripping the single wire

# Connector - SACC-M12MS-4QO-0,75-VA



1440779

<https://www.phoenixcontact.com/pc/products/1440779>

## Commercial Data

Item number	1440779
Packing unit	1 pc
Minimum order quantity	1 pc
Product Key	BF2CCA
Catalog Page	Page 20 (C-2-2019)
GTIN	4046356517010
Weight per Piece (including packing)	16.266 g
Weight per Piece (excluding packing)	15.6 g
Customs tariff number	85366990
Country of origin	DE

1440779

<https://www.phoenixcontact.com/pc/products/1440779>

## Technical Data

### Notes

Assembly instruction:

**NOTE:** Observe the permissible bending radii when laying conductors, since the degree of protection may be put in jeopardy if the bending forces are too high. Alleviate mechanical loads upstream of the connector, e.g. by using cable ties.

### Product properties

Product type	Circular connector (cable-side)
Number of positions	4
No. of cable outlets	1
Shielded	no
Coding	A - standard
Cable outlet	straight

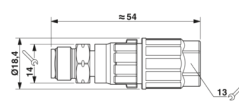
### Insulation characteristics

Overvoltage category	III
Degree of pollution	3

### Ambient conditions

Degree of protection	IP65 IP67
Ambient temperature (operation)	-25 °C ... 80 °C (Plug / socket)
Ambient temperature (assembly)	-5 °C ... 50 °C (During assembly)

### Dimensions

Dimensional drawing	
Length	54 mm

### External dimensions

Outside diameter	4 mm ... 8 mm
------------------	---------------

### Housing

Diameter housing	18.4 mm
------------------	---------

### Connector

Insertion/withdrawal cycles	≥ 100
-----------------------------	-------

### Header 1

# Connector - SACC-M12MS-4QO-0,75-VA



1440779

<https://www.phoenixcontact.com/pc/products/1440779>

Head design	Plug
Head cable outlet	straight
Head thread type	M12
Coding	A-coded
Number of positions	4
Coding	A - standard
Insertion/withdrawal cycles	≥ 100
Connection method	Insulation displacement connection
Contact material	CuSn
Contact surface material	Ni/Au
Number of positions	4
Coding	A - standard
Insertion/withdrawal cycles	≥ 100
Connection method	Insulation displacement connection
Contact material	CuSn
Contact surface material	Ni/Au

## Electrical properties

Rated surge voltage	4 kV
Contact resistance	≤ 5 mΩ
Insulation resistance	≥ 100 MΩ
Nominal voltage $U_N$	250 V AC 250 V DC
Nominal current $I_N$	4 A

## Material specifications

Color Handle area	black
Flammability rating according to UL 94	V0
Sealing material	Neoprene (Cable clamping)
Material of grip body	PA 6
Contact material	CuSn
Contact surface material	Ni/Au
Contact carrier material	TPU
Cable gland material	Stainless steel 1.4404
Wire insulation material	PVC / PE / PP / rubber

## Connection data

### Conductor connection

Connection method	Insulation displacement connection
Conductor cross section flexible	0.34 mm <sup>2</sup> ... 0.75 mm <sup>2</sup>
Cross section AWG	22 ... 18

### Pin assignment

	1 = BN
--	--------

# Connector - SACC-M12MS-4QO-0,75-VA



1440779

<https://www.phoenixcontact.com/pc/products/1440779>

Contact   Color (signal designation)   Contact (optional)	2 = WH
	3 = BU
	4 = BK

## Mounting

Assembly instructions	AWG 18 wire cross section upon request
-----------------------	--

## Standards and regulations

### M12

Standards/specifications	according to IEC 61076-2-101
--------------------------	------------------------------

## Cable / line

### Cable structure

Signal type/category	Universal
External cable diameter	4 mm ... 8 mm

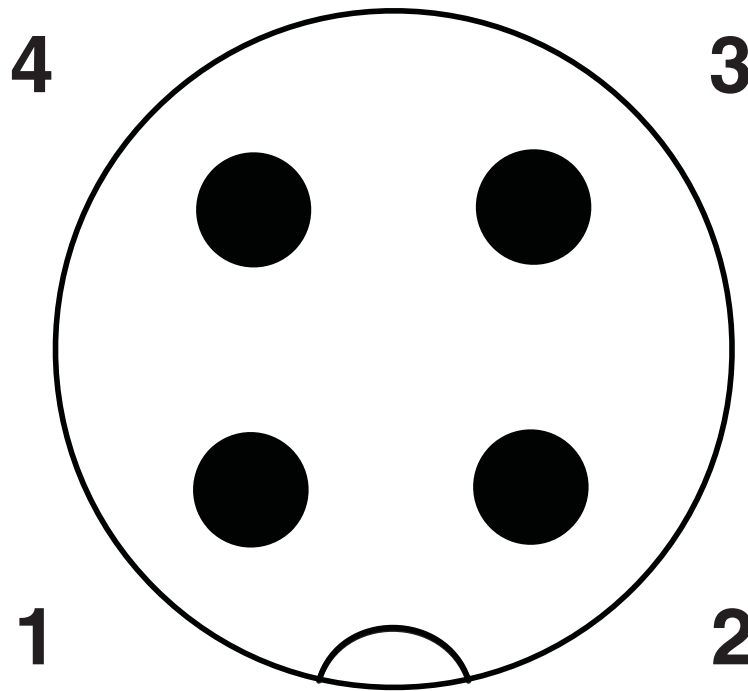
# Connector - SACC-M12MS-4QO-0,75-VA

1440779

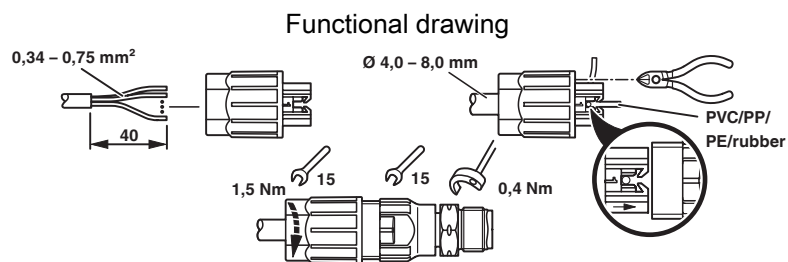
<https://www.phoenixcontact.com/pc/products/1440779>

## Drawings

Schematic diagram



Pin assignment M12 plug, 4-pos., A-coded, view plug side

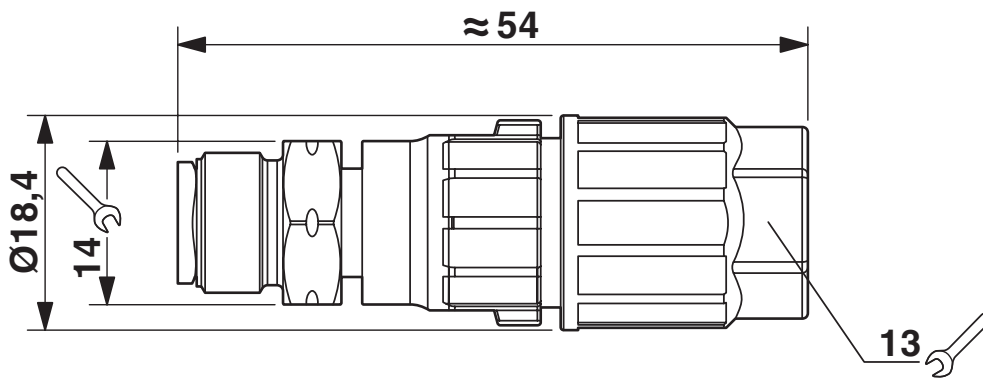


# Connector - SACC-M12MS-4QO-0,75-VA

1440779

<https://www.phoenixcontact.com/pc/products/1440779>

Dimensional drawing



M12 plug, straight,  
QUICKON connection: 0.34 mm<sup>2</sup> ... 0.75 mm<sup>2</sup>

# Connector - SACC-M12MS-4QO-0,75-VA



1440779

<https://www.phoenixcontact.com/pc/products/1440779>

## Approvals

**DNV**

Approval ID: TAE00002K4



**EAC**

Approval ID: RU C-DE.AI30.B.01102



**EAC**

Approval ID: RU C-DE.BL08.B.00511



# Connector - SACC-M12MS-4QO-0,75-VA



1440779

<https://www.phoenixcontact.com/pc/products/1440779>

## Classifications

### ECLASS

ECLASS-10.0.1	27440102
ECLASS-9.0	27440102
ECLASS-11.0	27440102

### ETIM

ETIM 8.0	EC002635
----------	----------

### UNSPSC

UNSPSC 21.0	39121400
-------------	----------

# Connector - SACC-M12MS-4QO-0,75-VA



1440779

<https://www.phoenixcontact.com/pc/products/1440779>

## Environmental Product Compliance

China RoHS	Environmentally friendly use period: unlimited = EFUP-e
	No hazardous substances above threshold values

# Connector - SACC-M12MS-4QO-0,75-VA



1440779

<https://www.phoenixcontact.com/pc/products/1440779>

## Accessories

### Torque screwdriver

Torque screwdriver - TSD 04 SAC - 1208429

<https://www.phoenixcontact.com/pc/products/1208429>



Torque screwdriver, with preset torque of 0.4 Nm and 4 mm hexagonal drive for M12 connectors

---

### Torque screwdriver

Torque screwdriver - TSD-M 1,2NM - 1212224

<https://www.phoenixcontact.com/pc/products/1212224>



Torque screw driver, accuracy as per EN ISO 6789 standard, adjustable from 0.3 - 1.2 Nm

# Connector - SACC-M12MS-4QO-0,75-VA



1440779

<https://www.phoenixcontact.com/pc/products/1440779>

## Adapter insert

Adapter insert - TSD-M SAC-BIT ADAPTER - 1212600

<https://www.phoenixcontact.com/pc/products/1212600>



Adapter bit for TSD-M...torque tools, E6.3-1/4" drive with 4 mm hexagon to accommodate SAC bits

---

## Sealing cap

Sealing cap - PROT-M12 FS-PA-CHAIN - 1430873

<https://www.phoenixcontact.com/pc/products/1430873>



M12 sealing cap made of plastic with fixing band, for sensor cables, for free M12 plugs

# Connector - SACC-M12MS-4QO-0,75-VA



1440779

<https://www.phoenixcontact.com/pc/products/1440779>

## Socket wrench

Socket wrench - QSS 15 - 1641992

<https://www.phoenixcontact.com/pc/products/1641992>



Allen wrench, for loosening and fastening the QUICKON union nut, WAF 15 mm

---

## Tool

Tool - SAC BIT M12-W14 - 1212513

<https://www.phoenixcontact.com/pc/products/1212513>



Nut for assembling sensor/actuator cables with M12 connector and M12 connectors for assembly, with a hexagonal knurl wrench size of 14 mm, with 4 mm hexagonal drive

---

Phoenix Contact 2022 © - all rights reserved  
<https://www.phoenixcontact.com>

PHOENIX CONTACT GmbH & Co. KG  
Flachsmarktstraße 8  
D-32825 Blomberg  
+49 (0) 5235-3 00  
[info@phoenixcontact.com](mailto:info@phoenixcontact.com)