

Flush-type connector - SACC-E-M5FS-4CON-M5/0,5



1530618

<https://www.phoenixcontact.com/pc/products/1530618>

Please be informed that the data shown in this PDF document is generated from our Online Catalog. Please find the complete data in the user documentation. Our General Terms of Use for Downloads are valid.



Sensor/actuator flush-type socket, 4-pos., M5, prewall/screw mounting, with M5 thread, with 0.5 m TPE litz wire, 4x0.14 mm²

Your advantages

- Pre-assembled with litz wires for immediate use
- Customer-specific assemblies and litz wire lengths available
- Sealed on the litz wire side for optimum leak-tightness

Flush-type connector - SACC-E-M5FS-4CON-M5/0,5



1530618

<https://www.phoenixcontact.com/pc/products/1530618>

Commercial Data

Item number	1530618
Packing unit	1 pc
Minimum order quantity	1 pc
Note	Made to Order (non-returnable)
Product Key	ABQABB
Catalog Page	Page 32 (C-2-2019)
GTIN	4046356024419
Weight per Piece (including packing)	8.4 g
Weight per Piece (excluding packing)	8.4 g
Customs tariff number	85444290
Country of origin	DE

Flush-type connector - SACC-E-M5FS-4CON-M5/0,5



1530618

<https://www.phoenixcontact.com/pc/products/1530618>

Technical Data

Product properties

Product type	Circular connectors (device side)
Number of positions	4
No. of cable outlets	1
Shielded	no
Coding	A - standard

Insulation characteristics

Overvoltage category	II
Degree of pollution	3

Ambient conditions

Degree of protection	IP67
Degree of protection	IP67
Ambient temperature (operation)	-25 °C ... 80 °C
	-25 °C ... 85 °C (Plug)

Connector

Header 1

Head design	Socket
Head cable outlet	straight
Head thread type	M5

Electrical properties

Contact resistance	≤ 3 mΩ
Insulation resistance	≥ 100 MΩ
Nominal voltage U _N	48 V AC
	60 V DC
Nominal current I _N	1 A
Test voltage	800 V

Material specifications

Flammability rating according to UL 94	HB
Sealing material	Viton
Contact material	CuSn
Contact surface material	Au
Contact carrier material	PA 6.6
Cable gland material	Nickel-plated brass

Connection data

Conductor connection

Flush-type connector - SACC-E-M5FS-4CON-M5/0,5



1530618

<https://www.phoenixcontact.com/pc/products/1530618>

Connection method	Individual wires
-------------------	------------------

Mounting

Mounting type	Front mounting M5 x 0.5
---------------	-------------------------

Standards and regulations

M5

Standards/specifications	IEC 61076-2-105
--------------------------	-----------------

Cable / line

Cable length	0.5 m
--------------	-------

Cable structure

Cable type	TPE litz wire
Conductor structure signal line	18x 0.10 mm
AWG signal line	26
Material wire insulation	TPE
Single wire, color	brown, white, blue, black

Ambient conditions

Ambient temperature (operation)	-25 °C ... 80 °C
---------------------------------	------------------

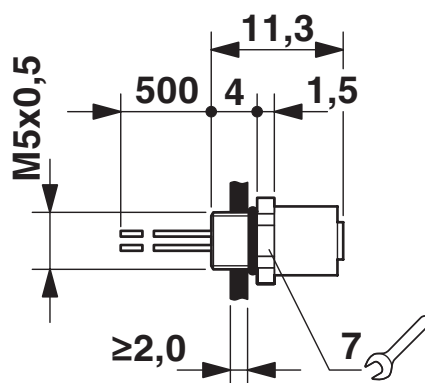
Flush-type connector - SACC-E-M5FS-4CON-M5/0,5

1530618

<https://www.phoenixcontact.com/pc/products/1530618>

Drawings

Dimensional drawing



M5 flush-type socket

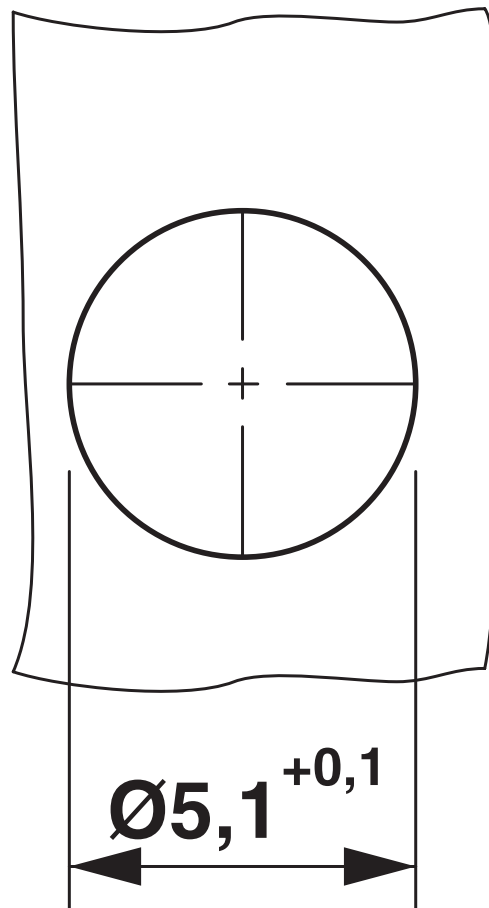
Flush-type connector - SACC-E-M5FS-4CON-M5/0,5

1530618

<https://www.phoenixcontact.com/pc/products/1530618>



Dimensional drawing



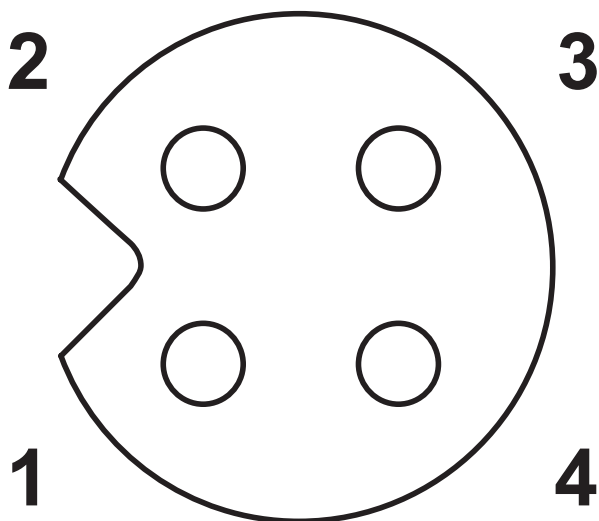
Flush-type connector - SACC-E-M5FS-4CON-M5/0,5

1530618

<https://www.phoenixcontact.com/pc/products/1530618>



Schematic diagram



Pin assignment M5 socket, 4-pos., D-coded, view female side

Flush-type connector - SACC-E-M5FS-4CON-M5/0,5



1530618

<https://www.phoenixcontact.com/pc/products/1530618>

Approvals



EAC

Approval ID: B.01687

Flush-type connector - SACC-E-M5FS-4CON-M5/0,5



1530618

<https://www.phoenixcontact.com/pc/products/1530618>

Classifications

ECLASS

ECLASS-9.0	27440102
ECLASS-10.0.1	27440102
ECLASS-11.0	27440102

ETIM

ETIM 8.0	EC002635
----------	----------

UNSPSC

UNSPSC 21.0	39121400
-------------	----------

Flush-type connector - SACC-E-M5FS-4CON-M5/0,5



1530618

<https://www.phoenixcontact.com/pc/products/1530618>

Environmental Product Compliance

REACH SVHC	Lead 7439-92-1
China RoHS	Environmentally Friendly Use Period = 50 years
	For information on hazardous substances, refer to the manufacturer's declaration available under "Downloads"

Flush-type connector - SACC-E-M5FS-4CON-M5/0,5



1530618

<https://www.phoenixcontact.com/pc/products/1530618>

Accessories

Flat nut

Flat nut - SACC-E-MU-M 5 - 1535901

<https://www.phoenixcontact.com/pc/products/1535901>

Flat nut with M5 thread



Phoenix Contact 2022 © - all rights reserved
<https://www.phoenixcontact.com>

PHOENIX CONTACT GmbH & Co. KG
Flachsmarktstraße 8
D-32825 Blomberg
+49 (0) 5235-3 00
info@phoenixcontact.com