

# Connector - SACC-M 8FS-4PCON



1506781

<https://www.phoenixcontact.com/pc/products/1506781>

Please be informed that the data shown in this PDF document is generated from our Online Catalog. Please find the complete data in the user documentation. Our General Terms of Use for Downloads are valid.

---



Connector, Universal, 4-position, Socket straight M8, Coding: A, Piercecon<sup>®</sup> fast connection, knurl material: Nickel-plated brass, external cable diameter 3 mm ... 5 mm

---

## Your advantages

- Safe use in the field, thanks to a high degree of protection
- Piercecon<sup>®</sup> connection: maximum contact density in a connector that can be assembled

# Connector - SACC-M 8FS-4PCON



1506781

<https://www.phoenixcontact.com/pc/products/1506781>

## Commercial Data

Item number	1506781
Packing unit	1 pc
Minimum order quantity	1 pc
Note	Made to Order (non-returnable)
Product Key	BF2BGA
Catalog Page	Page 257 (C-8-2015)
GTIN	4017918892708
Weight per Piece (including packing)	19.1 g
Weight per Piece (excluding packing)	19.4 g
Customs tariff number	85366990
Country of origin	DE

# Connector - SACC-M 8FS-4PCON

1506781

<https://www.phoenixcontact.com/pc/products/1506781>

## Technical Data

### Notes

Assembly instruction:

**NOTE:** Observe the permissible bending radii when laying conductors, since the degree of protection may be put in jeopardy if the bending forces are too high. Alleviate mechanical loads upstream of the connector, e.g. by using cable ties.

### Product properties

Product type	Circular connector (cable-side)
Number of positions	4
No. of cable outlets	1
Shielded	no
Coding	A - standard
Cable outlet	straight


### Insulation characteristics

Overvoltage category	II
Degree of pollution	3

### Ambient conditions

Degree of protection	IP68
Ambient temperature (operation)	-25 °C ... 85 °C (Plug / socket)

### Dimensions

Dimensional drawing	
Length	33.9 mm

### External dimensions

Outside diameter	3 mm ... 5 mm
------------------	---------------

### Housing

Diameter housing	12 mm
------------------	-------

### Connector

Insertion/withdrawal cycles	≥ 100
-----------------------------	-------

### Header 1

Head design	Socket
Head cable outlet	straight
Head thread type	M8
Coding	A-coded

# Connector - SACC-M 8FS-4PCON



1506781

<https://www.phoenixcontact.com/pc/products/1506781>

Number of positions	4
Coding	A - standard
Insertion/withdrawal cycles	≥ 100
Connection method	Piercecon <sup>®</sup> fast connection
Contact material	CuZn
Contact surface material	Ni/Au
Number of positions	4
Coding	A - standard
Insertion/withdrawal cycles	≥ 100
Connection method	Piercecon <sup>®</sup> fast connection
Contact material	CuZn
Contact surface material	Ni/Au

## Electrical properties

Contact resistance	≤ 3 mΩ
Insulation resistance	≥ 100 MΩ
Nominal voltage U <sub>N</sub>	30 V AC 30 V DC
Nominal current I <sub>N</sub>	4 A

## Material specifications

Flammability rating according to UL 94	V0
Sealing material	NBR
Material of grip body	PA 6.6
Contact material	CuZn
Contact surface material	Ni/Au
Contact carrier material	PA 6.6
Cable gland material	Nickel-plated brass

## Connection data

### Conductor connection

Connection method	Piercecon <sup>®</sup> fast connection
Conductor cross section flexible	0.14 mm <sup>2</sup> ... 0.38 mm <sup>2</sup>
Cross section AWG	22 ... 26

### Pin assignment

Contact   Color (signal designation)   Contact (optional)	1 = BN
	2 = WH
	3 = BU
	4 = BK

## Standards and regulations

### M8

Standards/specifications	IEC 61076-2-104
--------------------------	-----------------

# Connector - SACC-M 8FS-4PCON



1506781

<https://www.phoenixcontact.com/pc/products/1506781>

## Cable / line

### Cable structure

Signal type/category	Universal
----------------------	-----------

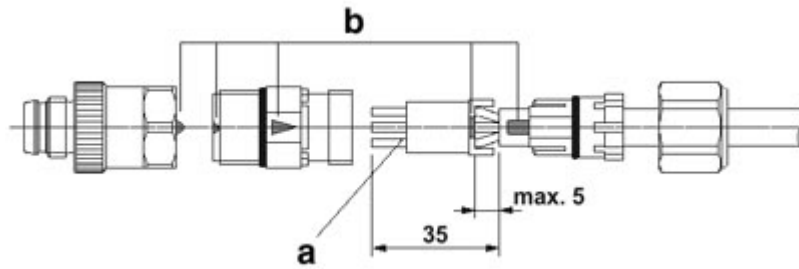
# Connector - SACC-M 8FS-4PCON

1506781

<https://www.phoenixcontact.com/pc/products/1506781>

## Drawings

Functional drawing

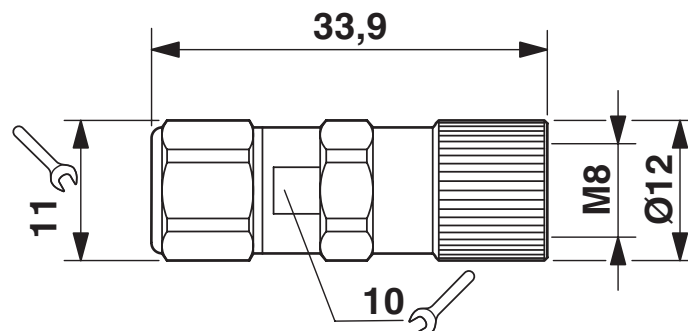


a = cut flush

b = coding

When assembled, the coding marks must line up.

Dimensional drawing



Socket M8 x 1, straight

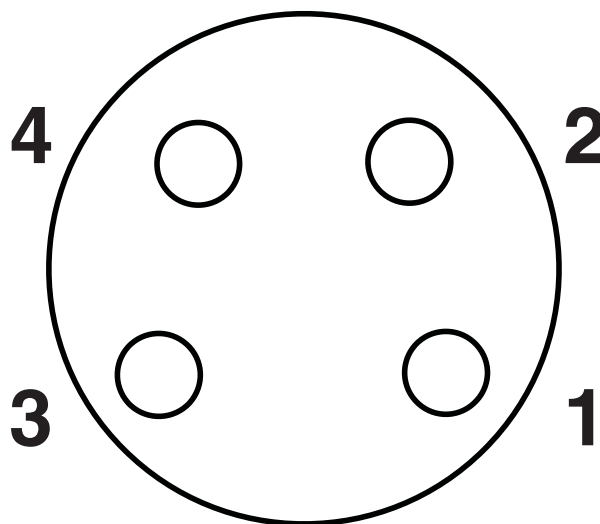
# Connector - SACC-M 8FS-4PCON

1506781

<https://www.phoenixcontact.com/pc/products/1506781>



Schematic diagram



Pin assignment M8 socket, 4-pos., view female side

# Connector - SACC-M 8FS-4PCON



1506781

<https://www.phoenixcontact.com/pc/products/1506781>

## Approvals



**EAC**

Approval ID: EAC-Zulassung



**EAC**

Approval ID: RU C-DE.BL08.B.00511



# Connector - SACC-M 8FS-4PCON



1506781

<https://www.phoenixcontact.com/pc/products/1506781>

## Classifications

### ECLASS

ECLASS-10.0.1	27440102
ECLASS-9.0	27440102
ECLASS-11.0	27440102

### ETIM

ETIM 8.0	EC002635
----------	----------

### UNSPSC

UNSPSC 21.0	39121400
-------------	----------

# Connector - SACC-M 8FS-4PCON



1506781

<https://www.phoenixcontact.com/pc/products/1506781>

## Environmental Product Compliance

REACH SVHC	Lead 7439-92-1
China RoHS	Environmentally Friendly Use Period = 50 years
	For information on hazardous substances, refer to the manufacturer's declaration available under "Downloads"

# Connector - SACC-M 8FS-4PCON

1506781

<https://www.phoenixcontact.com/pc/products/1506781>



## Accessories

### Screw plug

Screw plug - PROT-M 8 MS-PA-CHAIN - 1430860

<https://www.phoenixcontact.com/pc/products/1430860>

M8 sealing cap made of plastic with fixing band for sensor cables, for M8 sockets



---

### Cable reel

Cable reel - SAC-4P-100,0-PUR/0,25 - 1501692

<https://www.phoenixcontact.com/pc/products/1501692>

By the meter, Cable reel, PUR halogen-free, black-gray RAL 7021, 4-wire, color single wire: brown, white, blue, black, cable length: 100 m



# Connector - SACC-M 8FS-4PCON



1506781

<https://www.phoenixcontact.com/pc/products/1506781>

## Cable reel

Cable reel - SAC-4P-100,0-PUR/0,34 - 1501663

<https://www.phoenixcontact.com/pc/products/1501663>



By the meter, Cable reel, PUR halogen-free, black-gray RAL 7021, 4-wire, color single wire: brown, white, blue, black, cable length: 100 m

---

## Torque screwdriver

Torque screwdriver - TSD 02 SAC - 1208487

<https://www.phoenixcontact.com/pc/products/1208487>



Torque screwdriver, with preset torque of 0.2 Nm and 4 mm hexagonal drive for M8 connectors

# Connector - SACC-M 8FS-4PCON



1506781

<https://www.phoenixcontact.com/pc/products/1506781>

## Torque screwdriver

Torque screwdriver - TSD-M 1,2NM - 1212224

<https://www.phoenixcontact.com/pc/products/1212224>



Torque screw driver, accuracy as per EN ISO 6789 standard, adjustable from 0.3 - 1.2 Nm

---

## Adapter insert

Adapter insert - TSD-M SAC-BIT ADAPTER - 1212600

<https://www.phoenixcontact.com/pc/products/1212600>



Adapter bit for TSD-M...torque tools, E6.3-1/4" drive with 4 mm hexagon to accommodate SAC bits

# Connector - SACC-M 8FS-4PCON

1506781

<https://www.phoenixcontact.com/pc/products/1506781>

## Tool

Tool - SACC BIT M8-D12 - 1208474

<https://www.phoenixcontact.com/pc/products/1208474>



Nut for assembling M8 connectors with longitudinal knurl and a knurl diameter of 12 mm, for 4 mm hexagonal drive

---

Phoenix Contact 2022 © - all rights reserved

<https://www.phoenixcontact.com>

PHOENIX CONTACT GmbH & Co. KG

Flachsmarktstraße 8

D-32825 Blomberg

+49 (0) 5235-3 00

[info@phoenixcontact.com](mailto:info@phoenixcontact.com)