

Connector - SACC-M 8FS-4QO-0,25-M



1441053

<https://www.phoenixcontact.com/pc/products/1441053>

Please be informed that the data shown in this PDF document is generated from our Online Catalog. Please find the complete data in the user documentation. Our General Terms of Use for Downloads are valid.



Connector, Universal, 4-position, Socket straight M8, Coding: A, Insulation displacement connection, knurl material: Zinc die-cast, nickel-plated, external cable diameter 2.5 mm ... 5 mm

Your advantages

- Safe use in the field, thanks to a high degree of protection
- Insulation displacement connection: innovative and time-saving assembly without stripping the single wire

Connector - SACC-M 8FS-4QO-0,25-M



1441053

<https://www.phoenixcontact.com/pc/products/1441053>

Commercial Data

| | |
|--------------------------------------|--------------------|
| Item number | 1441053 |
| Packing unit | 1 pc |
| Minimum order quantity | 1 pc |
| Product Key | BF2BCA |
| Catalog Page | Page 16 (C-2-2019) |
| GTIN | 4046356515948 |
| Weight per Piece (including packing) | 7.3 g |
| Weight per Piece (excluding packing) | 6.8 g |
| Customs tariff number | 85366990 |
| Country of origin | DE |

Connector - SACC-M 8FS-4QO-0,25-M



1441053

<https://www.phoenixcontact.com/pc/products/1441053>

Technical Data

Notes

Assembly instruction:

NOTE: Observe the permissible bending radii when laying conductors, since the degree of protection may be put in jeopardy if the bending forces are too high. Alleviate mechanical loads upstream of the connector, e.g. by using cable ties.

Product properties

| | |
|----------------------|---------------------------------|
| Product type | Circular connector (cable-side) |
| Number of positions | 4 |
| No. of cable outlets | 1 |
| Shielded | no |
| Coding | A - standard |
| Cable outlet | straight |

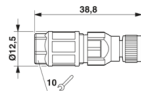
Insulation characteristics

| | |
|----------------------|----|
| Overvoltage category | II |
| Degree of pollution | 3 |

Ambient conditions

| | |
|---------------------------------|----------------------------------|
| Degree of protection | IP65 IP67 |
| Ambient temperature (operation) | -25 °C ... 80 °C (Plug / socket) |

Dimensions

| | |
|---------------------|--|
| Dimensional drawing |  |
| Length | 38.8 mm |

External dimensions

| | |
|------------------|-------------------------|
| Outside diameter | 2.5 mm ... 5 mm ±0.2 mm |
|------------------|-------------------------|

Housing

| | |
|------------------|---------|
| Diameter housing | 12.5 mm |
|------------------|---------|

Connector

| | |
|-----------------------------|-------|
| Insertion/withdrawal cycles | ≥ 100 |
|-----------------------------|-------|

Header 1

| | |
|-------------------|----------|
| Head design | Socket |
| Head cable outlet | straight |
| Head thread type | M8 |

Connector - SACC-M 8FS-4QO-0,25-M



1441053

<https://www.phoenixcontact.com/pc/products/1441053>

| | |
|-----------------------------|------------------------------------|
| Coding | A-coded |
| Number of positions | 4 |
| Coding | A - standard |
| Insertion/withdrawal cycles | ≥ 100 |
| Connection method | Insulation displacement connection |
| Contact material | CuSn |
| Contact surface material | Ni/Au |
| Number of positions | 4 |
| Coding | A - standard |
| Insertion/withdrawal cycles | ≥ 100 |
| Connection method | Insulation displacement connection |
| Contact material | CuSn |
| Contact surface material | Ni/Au |

Electrical properties

| | |
|--------------------------------|----------|
| Rated surge voltage | 0.8 kV |
| Contact resistance | ≤ 5 mΩ |
| Insulation resistance | ≥ 100 MΩ |
| Nominal voltage U _N | 30 V AC |
| | 30 V DC |
| Nominal current I _N | 4 A |

Material specifications

| | |
|--|------------------------------|
| Color Handle area | black |
| Flammability rating according to UL 94 | HB |
| Sealing material | NBR |
| Material of grip body | PA 6 |
| Contact material | CuSn |
| Contact surface material | Ni/Au |
| Contact carrier material | TPU GF |
| Cable gland material | Zinc die-cast, nickel-plated |
| Wire insulation material | PVC / PE / PP / rubber |

Connection data

Conductor connection

| | |
|----------------------------------|---|
| Connection method | Insulation displacement connection |
| Conductor cross section flexible | 0.08 mm ² ... 0.25 mm ² |
| Cross section AWG | 28 ... 24 |

Pin assignment

| | |
|---|--------|
| Contact Color (signal designation) Contact (optional) | 1 = BN |
| | 2 = WH |
| | 3 = BU |
| | 4 = BK |

Connector - SACC-M 8FS-4QO-0,25-M



1441053

<https://www.phoenixcontact.com/pc/products/1441053>

Standards and regulations

M8

| | |
|--------------------------|-----------------|
| Standards/specifications | IEC 61076-2-104 |
|--------------------------|-----------------|

Cable / line

Cable structure

| | |
|-------------------------|-----------------|
| Signal type/category | Universal |
| External cable diameter | 2.5 mm ... 5 mm |

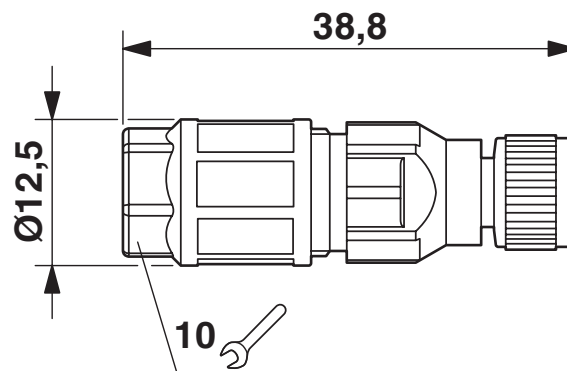
Connector - SACC-M 8FS-4QO-0,25-M

1441053

<https://www.phoenixcontact.com/pc/products/1441053>

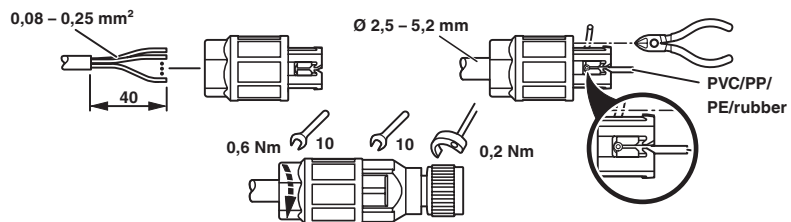
Drawings

Dimensional drawing



Socket M8 x 1, straight

Functional drawing



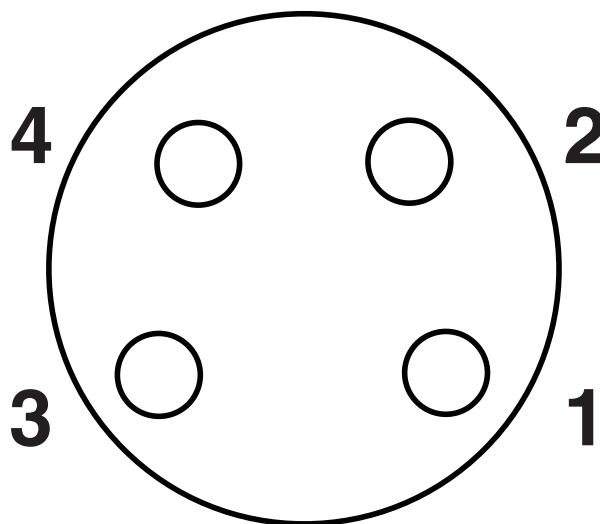
Connector - SACC-M 8FS-4QO-0,25-M

1441053

<https://www.phoenixcontact.com/pc/products/1441053>



Schematic diagram



Pin assignment of M8 socket, 4-pos., view of pin side

Connector - SACC-M 8FS-4QO-0,25-M



1441053

<https://www.phoenixcontact.com/pc/products/1441053>

Approvals



cUL Recognized

Approval ID: FILE E 118976



UL Recognized

Approval ID: FILE E 118976



EAC

Approval ID: RU C-DE.AI30.B.01102



EAC

Approval ID: RU C-DE.BL08.B.00511

cULus Recognized

Connector - SACC-M 8FS-4QO-0,25-M



1441053

<https://www.phoenixcontact.com/pc/products/1441053>

Classifications

ECLASS

| | |
|---------------|----------|
| ECLASS-10.0.1 | 27440102 |
| ECLASS-9.0 | 27440102 |
| ECLASS-11.0 | 27440102 |

ETIM

| | |
|----------|----------|
| ETIM 8.0 | EC002635 |
|----------|----------|

UNSPSC

| | |
|-------------|----------|
| UNSPSC 21.0 | 39121400 |
|-------------|----------|

Connector - SACC-M 8FS-4QO-0,25-M



1441053

<https://www.phoenixcontact.com/pc/products/1441053>

Environmental Product Compliance

| | |
|------------|---|
| China RoHS | Environmentally friendly use period: unlimited = EFUP-e |
| | No hazardous substances above threshold values |

Connector - SACC-M 8FS-4QO-0,25-M



1441053

<https://www.phoenixcontact.com/pc/products/1441053>

Accessories

Screw plug

Screw plug - PROT-M 8 MS-PA-CHAIN - 1430860

<https://www.phoenixcontact.com/pc/products/1430860>

M8 sealing cap made of plastic with fixing band for sensor cables, for M8 sockets



Cable reel

Cable reel - SAC-4P-100,0-PUR/0,25 - 1501692

<https://www.phoenixcontact.com/pc/products/1501692>

By the meter, Cable reel, PUR halogen-free, black-gray RAL 7021, 4-wire, color single wire: brown, white, blue, black, cable length: 100 m



Connector - SACC-M 8FS-4QO-0,25-M

1441053

<https://www.phoenixcontact.com/pc/products/1441053>

Torque screwdriver

Torque screwdriver - TSD 02 SAC - 1208487

<https://www.phoenixcontact.com/pc/products/1208487>



Torque screwdriver, with preset torque of 0.2 Nm and 4 mm hexagonal drive for M8 connectors

Torque screwdriver

Torque screwdriver - TSD-M 1,2NM - 1212224

<https://www.phoenixcontact.com/pc/products/1212224>



Torque screw driver, accuracy as per EN ISO 6789 standard, adjustable from 0.3 - 1.2 Nm

Connector - SACC-M 8FS-4QO-0,25-M



1441053

<https://www.phoenixcontact.com/pc/products/1441053>

Adapter insert

Adapter insert - TSD-M SAC-BIT ADAPTER - 1212600

<https://www.phoenixcontact.com/pc/products/1212600>



Adapter bit for TSD-M...torque tools, E6.3-1/4" drive with 4 mm hexagon to accommodate SAC bits

Tool

Tool - SAC BIT M8-D10 - 1208461

<https://www.phoenixcontact.com/pc/products/1208461>



Nut for assembling M8 connectors with longitudinal knurl and a knurl diameter of 10 mm, for 4 mm hexagonal drive

Phoenix Contact 2022 © - all rights reserved
<https://www.phoenixcontact.com>

PHOENIX CONTACT GmbH & Co. KG
Flachsmarktstraße 8
D-32825 Blomberg
+49 (0) 5235-3 00
info@phoenixcontact.com