

Contact insert - HC-COM- 4/2-EBUC



1408517

<https://www.phoenixcontact.com/pc/products/1408517>

Please be informed that the data shown in this PDF document is generated from our Online Catalog. Please find the complete data in the user documentation. Our General Terms of Use for Downloads are valid.



HEAVYCON crimp contact insert for compact plastic housing, socket version; 4-pos. + PE supply circuit, 2-pos. control circuit

Product Description

Contact insert, incl. 4 mounting screws

Contact insert - HC-COM- 4/2-EBUC



1408517

<https://www.phoenixcontact.com/pc/products/1408517>

Commercial Data

Item number	1408517
Packing unit	2 pc
Minimum order quantity	2 pc
Note	Made to Order (non-returnable)
Product Key	BF7ABH
Catalog Page	Page 649 (C-2-2017)
GTIN	4046356618229
Weight per Piece (including packing)	13.75 g
Weight per Piece (excluding packing)	13.81 g
Customs tariff number	85389099
Country of origin	CN

Contact insert - HC-COM- 4/2-EBUC

1408517

<https://www.phoenixcontact.com/pc/products/1408517>

Technical Data

Notes

General	For crimp contacts CK4.0-ED.. (control circuit), CK1.6-ED... (control circuit)
General	Connectors may be operated only when there is no load/voltage.

Product properties

Type	COM
Product type	Contact insert with a fixed no. of positions
Number of positions	6
Connection profile	4+2+PE
No. of power contacts	4
No. of control contacts	2
Contact type	turned
Series	HC-COM

Insulation characteristics

Overvoltage category	III
Degree of pollution	3

Connection data

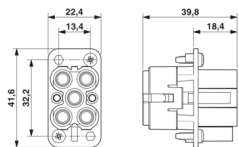
Connection technology

Connection technology	Crimp connection (Signal contacts)
Connection in acc. with standard	IEC / EN

Conductor connection

Connection cross section AWG	16 ... 10 (power contacts)
	26 ... 14 (control contacts)
Stripping length of the individual wire	9 mm (1.5 mm ² ... 2.5 mm ² control circuit)
	9.6 mm (4 mm ² - 6 mm ² control circuit)
	8 mm (Control circuit)
	6 mm (2.5 mm ² control circuit)

Dimensions

Dimensional drawing	
Width	22.4 mm
Height	48.05 mm
Length	41.6 mm

Contact insert - HC-COM- 4/2-EBUC



1408517

<https://www.phoenixcontact.com/pc/products/1408517>

Mechanical characteristics

Contact diameter	4 mm
------------------	------

Electrical properties

Rated voltage (III/3)	250 V (control contacts)
	400 V (Phase-ground power contacts)
	690 V (Phase-phase power contacts)
Rated voltage for power contacts	400/690 V
	250
Rated surge voltage	6 kV (Phase-phase power contacts)
	4 kV (control contacts)
Rated current	40 A (power contacts)
	10 A (control contacts)

Material specifications

Flammability rating according to UL 94	V0
Contact material	Copper alloy
Contact surface material	Ag (alternatively Au)
Contact carrier material	PC
Material of contact surface, power contact	Ag
Material of contact surface, control contact	Ag (alternatively Au)

Connector

Insertion/withdrawal cycles	≥ 500
-----------------------------	-------

Cable / line

Cable structure

Stripping length of the individual wire	9 mm (1.5 mm ² ... 2.5 mm ² control circuit)
	9.6 mm (4 mm ² - 6 mm ² control circuit)
	8 mm (Control circuit)
	6 mm (2.5 mm ² control circuit)

Mounting

Assembly instructions	To ensure correct use, installation in housing with IP54 protection or better is required
-----------------------	---

Ambient conditions

Ambient temperature (operation)	-40 °C ... 100 °C (including heating up of contacts)
---------------------------------	--

Contact insert - HC-COM- 4/2-EBUC

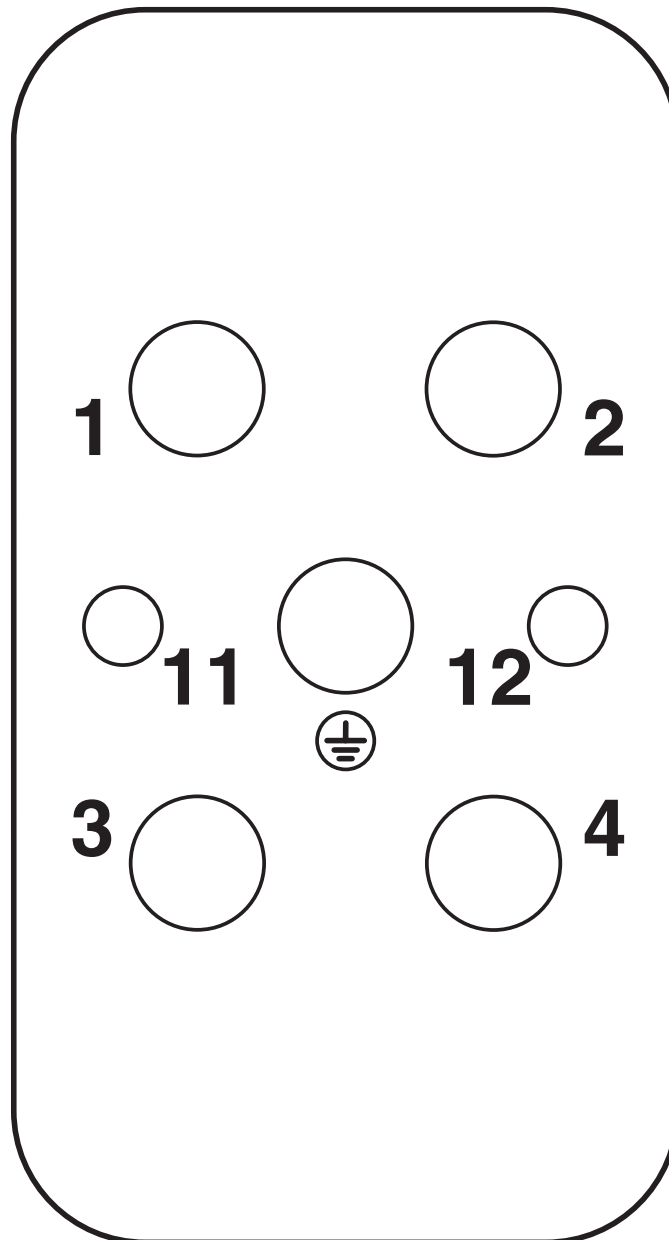
1408517

<https://www.phoenixcontact.com/pc/products/1408517>



Drawings

Schematic diagram



Connector pin assignment, connection side

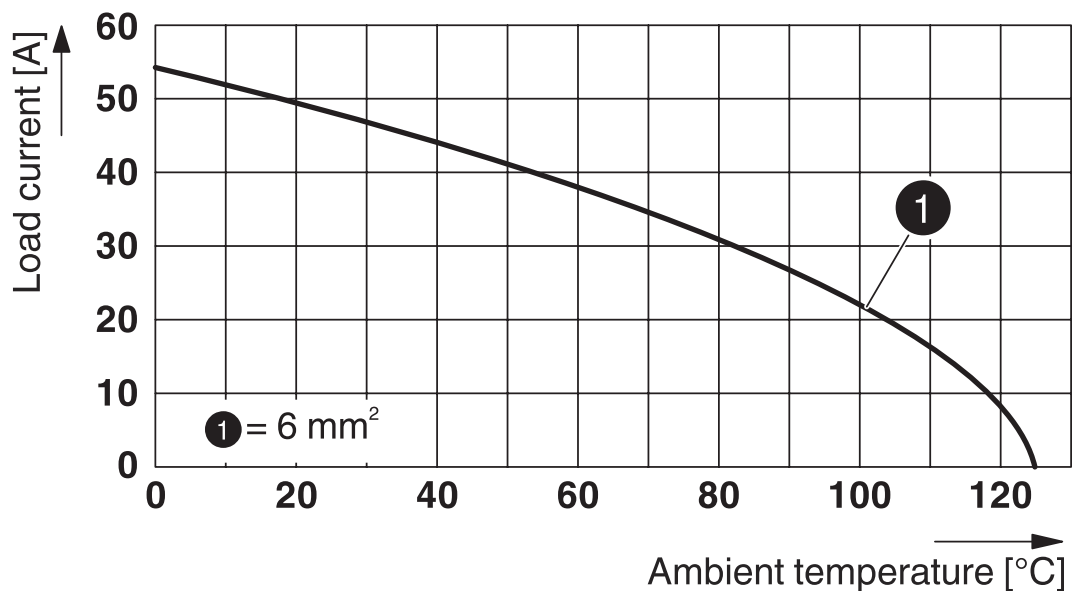
Contact insert - HC-COM- 4/2-EBUC



1408517

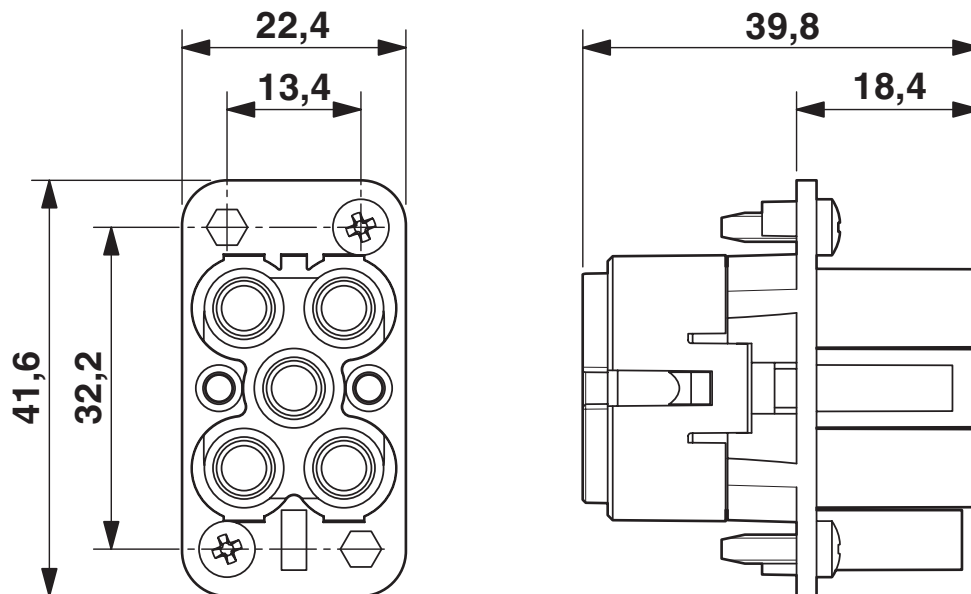
<https://www.phoenixcontact.com/pc/products/1408517>

Diagram



Derating diagram power circuit for 6 mm² (control current 10 A)

Dimensional drawing



HC-COM-4/2-EBUC dimensional drawing


Contact insert - HC-COM- 4/2-EBUC





1408517


<https://www.phoenixcontact.com/pc/products/1408517>


Approvals

 CSA Approval ID: 260458				
	Nominal Voltage U_N	Nominal Current I_N	Cross Section AWG	Cross Section mm^2
	600 V	19 A	20 - 12	-

 cUL Recognized Approval ID: FILE E 118976

 UL Recognized Approval ID: FILE E 118976
--

 EAC Approval ID: RU C-DE.AI30.B.01102
--

 EAC Approval ID: RU C-DE.BL08.B.00511

cULus Recognized

Contact insert - HC-COM- 4/2-EBUC



1408517

<https://www.phoenixcontact.com/pc/products/1408517>

Classifications

ECLASS

ECLASS-9.0	27440205
ECLASS-10.0.1	27440205
ECLASS-11.0	27440205

ETIM

ETIM 8.0	EC000438
----------	----------

UNSPSC

UNSPSC 21.0	39121500
-------------	----------

Contact insert - HC-COM- 4/2-EBUC



1408517

<https://www.phoenixcontact.com/pc/products/1408517>

Environmental Product Compliance

China RoHS	Environmentally friendly use period: unlimited = EFUP-e
	No hazardous substances above threshold values

Contact insert - HC-COM- 4/2-EBUC

1408517

<https://www.phoenixcontact.com/pc/products/1408517>

Accessories

Assembly tool

Assembly tool - UNIFOX MT-CK 1.6/2.5 - 1089092

<https://www.phoenixcontact.com/pc/products/1089092>

Assembly tool, for CK 1.6... crimp contacts for small conductor cross sections



Contact insert

Contact insert - HC-COM- 4/2-ESTC - 1408504

<https://www.phoenixcontact.com/pc/products/1408504>

HEAVYCON crimp contact insert for compact plastic housing; pin version; 4-pos.
+ PE supply circuit, 2-pos. control circuit



Contact insert - HC-COM- 4/2-EBUC

1408517

<https://www.phoenixcontact.com/pc/products/1408517>

Female contact

Female contact - CK1,6-ED-BU-POF - 1885004

<https://www.phoenixcontact.com/pc/products/1885004>



POF fiber optic socket contact, turned, for contact carriers (HC-DD...I-CT.../ HC-M-12-CT-F.../ HC-M-17-CT-F...) of CK1,6-ED... contacts

Contact removal tool

Contact removal tool - UNIFOX RT-CK 1.6 - 1072069

<https://www.phoenixcontact.com/pc/products/1072069>



Contact removal tool, for turned and rolled CK- 1.6-... contacts

Contact insert - HC-COM- 4/2-EBUC

1408517

<https://www.phoenixcontact.com/pc/products/1408517>



Contact removal tool

Contact removal tool - UNIFOX RT-CK 4.0 - 1072064

<https://www.phoenixcontact.com/pc/products/1072064>



Contact removal tool, for rotated CK-4,0-... contacts

Crimp contact

Crimp contact - CK1,6-ED-0,37BU AG - 1663394

<https://www.phoenixcontact.com/pc/products/1663394>



Turned 1.6 crimp contact, individual female contact, core diameter 0.14 to 0.37 mm², silver-plated

Contact insert - HC-COM- 4/2-EBUC

1408517

<https://www.phoenixcontact.com/pc/products/1408517>

Crimp contact

Crimp contact - CK1,6-ED-0,50BU AG - 1663404

<https://www.phoenixcontact.com/pc/products/1663404>



Crimp contact, contact diameter: 1.6 mm, turned, Socket, contact material: Cu alloy, nickel-plated, contact surface: silver-plated, connection cross section: 0.5 mm² ... 0.5 mm², AWG 20

Crimp contact

Crimp contact - CK1,6-ED-0,75BU AG - 1663417

<https://www.phoenixcontact.com/pc/products/1663417>



Crimp contact, contact diameter: 1.6 mm, turned, Socket, contact material: Copper alloy, contact surface: silver-plated, connection cross section: 0.75 mm² ... 0.75 mm², AWG 18

Contact insert - HC-COM- 4/2-EBUC

1408517

<https://www.phoenixcontact.com/pc/products/1408517>

Crimp contact

Crimp contact - CK1,6-ED-1,00BU AG - 1663420

<https://www.phoenixcontact.com/pc/products/1663420>



Crimp contact, contact diameter: 1.6 mm, turned, Socket, contact material: Copper alloy, contact surface: silver-plated, connection cross section: 1 mm² ... 1 mm², AWG 18

Crimp contact

Crimp contact - CK1,6-ED-1,50BU AG - 1663433

<https://www.phoenixcontact.com/pc/products/1663433>



Turned 1.6 crimp contact, individual female contact, core diameter 1.5 mm², silver-plated

Contact insert - HC-COM- 4/2-EBUC

1408517

<https://www.phoenixcontact.com/pc/products/1408517>

Crimp contact

Crimp contact - CK4,0-ED-1,50BU AG - 1663271

<https://www.phoenixcontact.com/pc/products/1663271>



Turned 4.0 crimp contact, individual female contact, core diameter 1.50 mm², silver-plated

Crimp contact

Crimp contact - CK1,6-ED-2,50BU AG - 1663446

<https://www.phoenixcontact.com/pc/products/1663446>



Turned 1.6 crimp contact, individual female contact, core diameter 2.5 mm², gold-plated

Contact insert - HC-COM- 4/2-EBUC

1408517

<https://www.phoenixcontact.com/pc/products/1408517>

Crimp contact

Crimp contact - CK4,0-ED-4,00BU AG - 1663297

<https://www.phoenixcontact.com/pc/products/1663297>



Crimp contact, contact diameter: 4 mm, turned, Socket, contact material: Copper alloy, contact surface: silver-plated, connection cross section: 4 mm² ... 4 mm², AWG 12

Crimp contact

Crimp contact - CK1,6-ED-0,37BU AU - 1674969

<https://www.phoenixcontact.com/pc/products/1674969>



Crimp contact, contact diameter: 1.6 mm, turned, Socket, contact material: Copper alloy, contact surface: gold-plated, connection cross section: 0.14 mm² ... 0.37 mm², AWG 24 ... 22

Contact insert - HC-COM- 4/2-EBUC

1408517

<https://www.phoenixcontact.com/pc/products/1408517>

Crimp contact

Crimp contact - CK1,6-ED-0,50BU AU - 1674480

<https://www.phoenixcontact.com/pc/products/1674480>



Crimp contact, contact diameter: 1.6 mm, turned, Socket, contact material: Copper alloy, contact surface: gold-plated, connection cross section: 0.5 mm² ... 0.5 mm², AWG 20

Crimp contact

Crimp contact - CK1,6-ED-0,75BU AU - 1672440

<https://www.phoenixcontact.com/pc/products/1672440>



Crimp contact, contact diameter: 1.6 mm, turned, Socket, contact material: Copper alloy, contact surface: gold-plated, connection cross section: 0.75 mm² ... 0.75 mm², AWG 18

Contact insert - HC-COM- 4/2-EBUC

1408517

<https://www.phoenixcontact.com/pc/products/1408517>

Crimp contact

Crimp contact - CK1,6-ED-1,00BU AU - 1674943

<https://www.phoenixcontact.com/pc/products/1674943>



Crimp contact, contact diameter: 1.6 mm, turned, Socket, contact material: Copper alloy, contact surface: gold-plated, connection cross section: 1 mm² ... 1 mm², AWG 18

Crimp contact

Crimp contact - CK1,6-ED-1,50BU AU - 1674930

<https://www.phoenixcontact.com/pc/products/1674930>



Turned 1.6 crimp contact, individual female contact, core diameter 1.5 mm², silver-plated

Contact insert - HC-COM- 4/2-EBUC

1408517

<https://www.phoenixcontact.com/pc/products/1408517>

Crimp contact

Crimp contact - CK1,6-ED-2,50BU AU - 1674985

<https://www.phoenixcontact.com/pc/products/1674985>



Turned 1.6 crimp contact, individual female contact, core diameter 2.5 mm², gold-plated

Crimp contact

Crimp contact - CK4,0-ED-2,50BU AG - 1663284

<https://www.phoenixcontact.com/pc/products/1663284>



Turned 4.0 crimp contact, individual female contact, core diameter 2.50 mm², silver-plated

Contact insert - HC-COM- 4/2-EBUC

1408517

<https://www.phoenixcontact.com/pc/products/1408517>

Crimp contact

Crimp contact - CK4,0-ED-6,00BU AG - 1663307

<https://www.phoenixcontact.com/pc/products/1663307>



Turned 4.0 crimp contact, individual female contact, core diameter 6.00 mm², silver-plated

Crimp contact

Crimp contact - CK4,0-ED-10,00BU AG - 1586183

<https://www.phoenixcontact.com/pc/products/1586183>



Turned 4.0 crimp contact, single socket contact, 10 mm² conductor cross section, silver-plated

Contact insert - HC-COM- 4/2-EBUC

1408517

<https://www.phoenixcontact.com/pc/products/1408517>

Coding element

Coding element - HC-CP-CK1.6-PL - 1095422

<https://www.phoenixcontact.com/pc/products/1095422>

Coding element for HC-D and HC-DD contact inserts with pole loss. Installed in the socket contact chamber.



Crimping pliers with digital display

Crimping pliers with digital display - CRIMPFOX-TC MP-6 - 1202888

<https://www.phoenixcontact.com/pc/products/1202888>

Crimping tool, for turned contacts, universal cross-section setting, up to a maximum of 6.0 mm², digital display with 0.01 mm increments, pressure lock can be unlocked, positioning tool necessary as an accessory for contact positioning



Contact insert - HC-COM- 4/2-EBUC

1408517

<https://www.phoenixcontact.com/pc/products/1408517>

Crimping pliers

Crimping pliers - CRIMPFOX-TC 10 - 1212114

<https://www.phoenixcontact.com/pc/products/1212114>



Crimping pliers, for turned contacts with a pin diameter of 4.0 mm, two marked die stations, pressure lock can be released, lateral entry, incl. positioning help

Crimping pliers

Crimping pliers - CRIMPFOX-1,6/2,5-ED-4,0 - 1687419

<https://www.phoenixcontact.com/pc/products/1687419>



Crimping pliers, for turned contacts, CK 1.6 ED... and CK 2.5 ED...

Contact insert - HC-COM- 4/2-EBUC

1408517

<https://www.phoenixcontact.com/pc/products/1408517>



Crimping pliers

Crimping pliers - CRIMPFOX-TC 4 - 1212113

<https://www.phoenixcontact.com/pc/products/1212113>



Crimping pliers, for CK 1,6-ED..., CK 2,5-ED..., CK 4,0-ED... turned contacts, 4 marked die stations, unlockable pressure lock, lateral entry, incl. positioning tool

Phoenix Contact 2022 © - all rights reserved

<https://www.phoenixcontact.com>

PHOENIX CONTACT GmbH & Co. KG

Flachsmarktstraße 8

D-32825 Blomberg

+49 (0) 5235-3 00

info@phoenixcontact.com