

# Contact insert - HC-COM- 4/2-ESTC



1408504

<https://www.phoenixcontact.com/pc/products/1408504>

Please be informed that the data shown in this PDF document is generated from our Online Catalog. Please find the complete data in the user documentation. Our General Terms of Use for Downloads are valid.

---



HEAVYCON crimp contact insert for compact plastic housing; pin version; 4-pos. + PE supply circuit, 2-pos. control circuit

---

## Product Description

Contact insert, incl. 4 mounting screws

# Contact insert - HC-COM- 4/2-ESTC



1408504

<https://www.phoenixcontact.com/pc/products/1408504>

## Commercial Data

Item number	1408504
Packing unit	2 pc
Minimum order quantity	2 pc
Note	Made to Order (non-returnable)
Product Key	BF7ABH
Catalog Page	Page 649 (C-2-2017)
GTIN	4046356618212
Weight per Piece (including packing)	21.38 g
Weight per Piece (excluding packing)	21 g
Customs tariff number	85389099
Country of origin	CN

# Contact insert - HC-COM- 4/2-ESTC

1408504

<https://www.phoenixcontact.com/pc/products/1408504>

## Technical Data

### Notes

General	For crimp contacts CK4.0-ED.. (control circuit), CK1.6-ED...
General	Connectors may be operated only when there is no load/voltage.

### Product properties

Type	COM
Product type	Contact insert with a fixed no. of positions
Number of positions	6
Connection profile	4+2+PE
No. of power contacts	4
No. of control contacts	2
Contact type	turned
Series	HC-COM

### Insulation characteristics

Overvoltage category	III
Degree of pollution	3

### Connection data

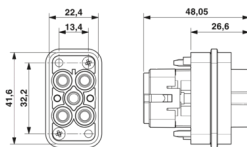
#### Connection technology

Connection technology	Crimp connection (Signal contacts)
Connection in acc. with standard	IEC / EN

#### Conductor connection

Connection cross section AWG	16 ... 10 (power contacts)
	26 ... 14 (control contacts)
Stripping length of the individual wire	9 mm (1.5 mm <sup>2</sup> ... 2.5 mm <sup>2</sup> control circuit)
	9.6 mm (4 mm <sup>2</sup> - 6 mm <sup>2</sup> control circuit)
	8 mm (Control circuit)
	6 mm (2.5 mm <sup>2</sup> control circuit)

### Dimensions

Dimensional drawing	
Width	25.6 mm
Height	48.05 mm
Length	45 mm

# Contact insert - HC-COM- 4/2-ESTC



1408504

<https://www.phoenixcontact.com/pc/products/1408504>

## Mechanical characteristics

Contact diameter	4 mm
------------------	------

## Electrical properties

Rated voltage (III/3)	250 V (control contacts)
	400 V (Phase-ground power contacts)
	690 V (Phase-phase power contacts)
Rated voltage for power contacts	400/690 V
	250
Rated surge voltage	6 kV (Phase-phase power contacts)
	4 kV (control contacts)
Rated current	40 A (power contacts)
	10 A (control contacts)

## Material specifications

Flammability rating according to UL 94	V0
Sealing material	profile gasket
Contact material	Copper alloy
Contact surface material	Ag (alternatively Au)
Contact carrier material	PC
Material of contact surface, power contact	Ag
Material of contact surface, control contact	Ag (alternatively Au)

## Connector

Insertion/withdrawal cycles	≥ 500
-----------------------------	-------

## Cable / line

### Cable structure

Stripping length of the individual wire	9 mm (1.5 mm <sup>2</sup> ... 2.5 mm <sup>2</sup> control circuit)
	9.6 mm (4 mm <sup>2</sup> - 6 mm <sup>2</sup> control circuit)
	8 mm (Control circuit)
	6 mm (2.5 mm <sup>2</sup> control circuit)

## Mounting

Assembly instructions	To ensure correct use, installation in housing with IP54 protection or better is required
-----------------------	---

## Ambient conditions

Ambient temperature (operation)	-40 °C ... 100 °C (including heating up of contacts)
---------------------------------	--

# Contact insert - HC-COM- 4/2-ESTC

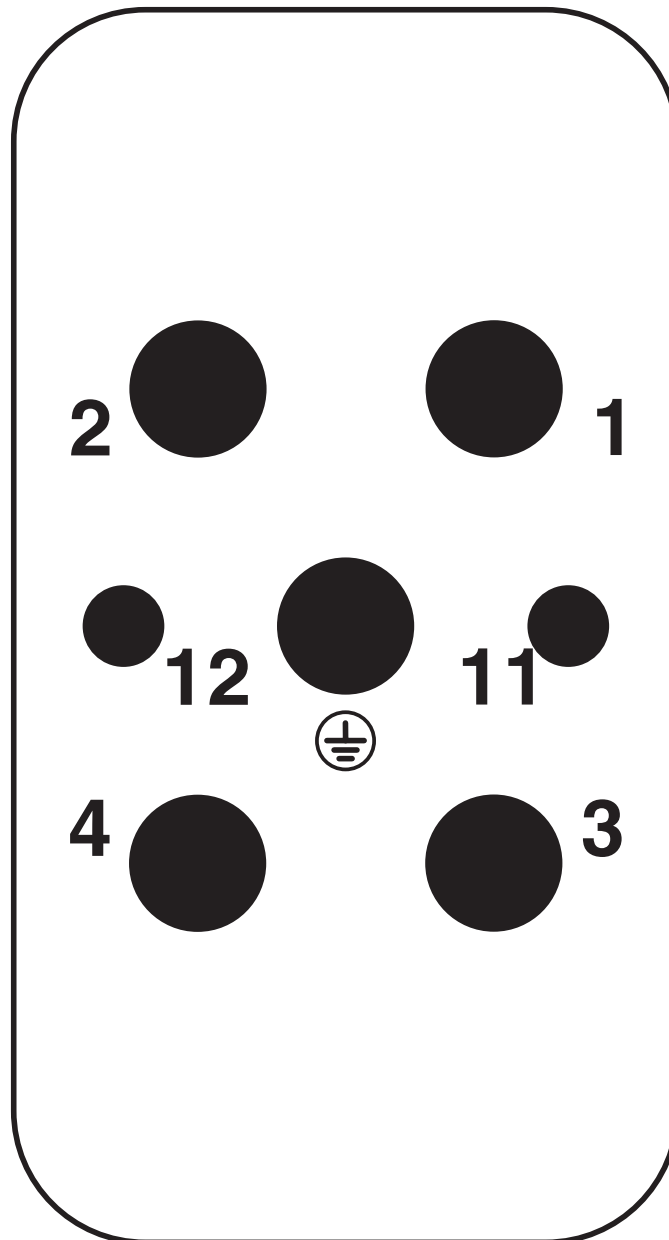


1408504

<https://www.phoenixcontact.com/pc/products/1408504>

## Drawings

Schematic diagram



Connector pin assignment, connection side

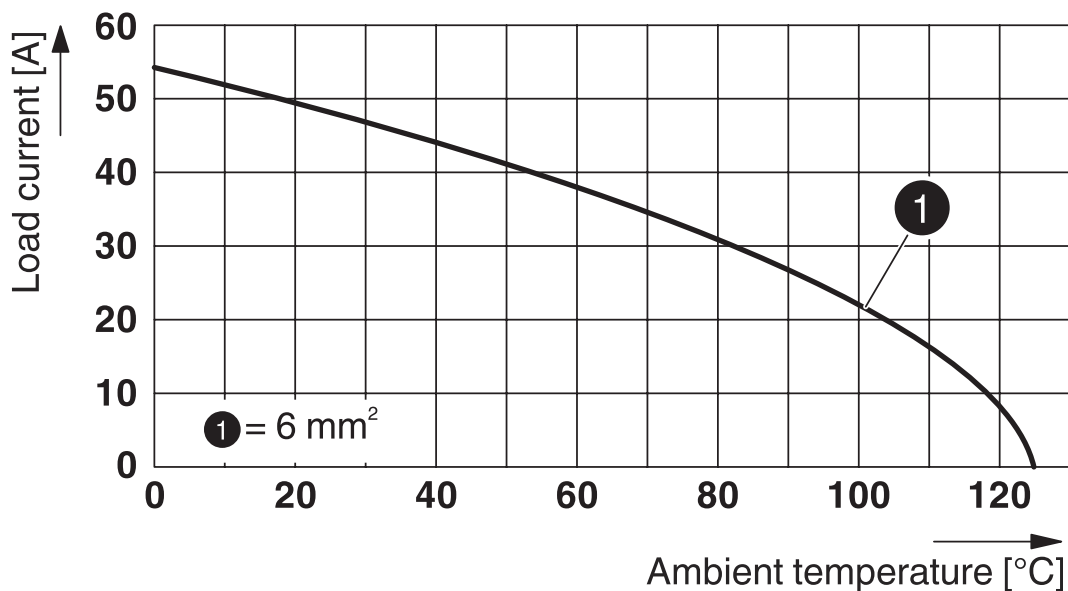
# Contact insert - HC-COM- 4/2-ESTC



1408504

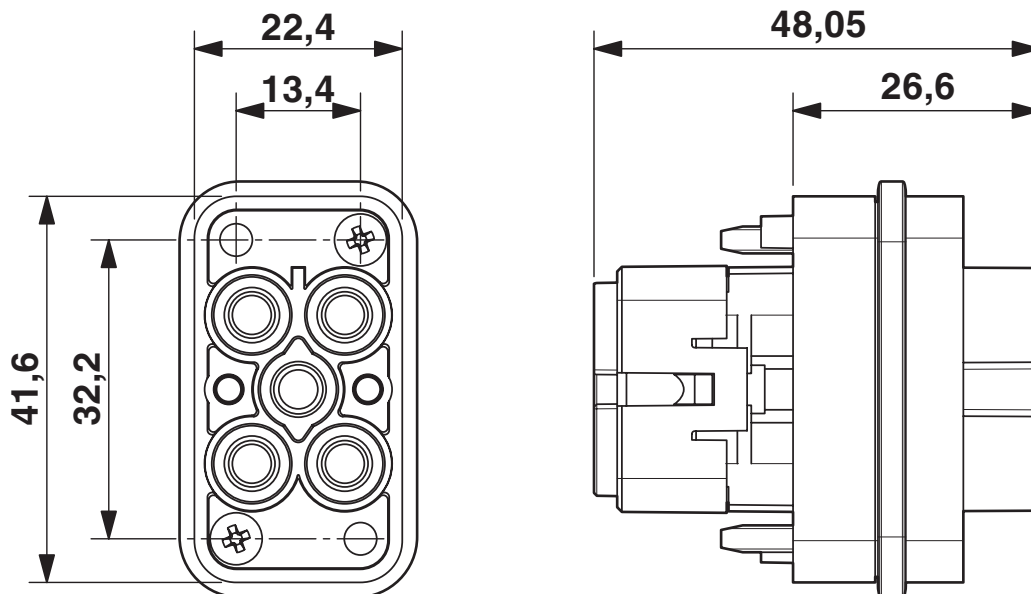
<https://www.phoenixcontact.com/pc/products/1408504>

Diagram



Derating diagram power circuit for 6 mm<sup>2</sup> (control current 10 A)

Dimensional drawing



HC-COM-4/2-ESTC dimensional drawing

# Contact insert - HC-COM- 4/2-ESTC





1408504


<https://www.phoenixcontact.com/pc/products/1408504>


## Approvals

 <b>CSA</b> Approval ID: 260458				
	Nominal Voltage $U_N$	Nominal Current $I_N$	Cross Section AWG	Cross Section $\text{mm}^2$
	600 V	19 A	20 - 12	-

 <b>cUL Recognized</b> Approval ID: FILE E 118976
---

 <b>UL Recognized</b> Approval ID: FILE E 118976
--

 <b>EAC</b> Approval ID: RU C-DE.AI30.B.01102
--

 <b>EAC</b> Approval ID: RU C-DE.BL08.B.00511
---

<b>cULus Recognized</b>
-------------------------

# Contact insert - HC-COM- 4/2-ESTC



1408504

<https://www.phoenixcontact.com/pc/products/1408504>

## Classifications

### ECLASS

ECLASS-9.0	27440205
ECLASS-10.0.1	27440205
ECLASS-11.0	27440205

### ETIM

ETIM 8.0	EC000438
----------	----------

### UNSPSC

UNSPSC 21.0	39121500
-------------	----------



# Contact insert - HC-COM- 4/2-ESTC



1408504

<https://www.phoenixcontact.com/pc/products/1408504>

## Environmental Product Compliance

China RoHS	Environmentally friendly use period: unlimited = EFUP-e
	No hazardous substances above threshold values

# Contact insert - HC-COM- 4/2-ESTC

1408504

<https://www.phoenixcontact.com/pc/products/1408504>

## Accessories

### Assembly tool

Assembly tool - UNIFOX MT-CK 1.6/2.5 - 1089092

<https://www.phoenixcontact.com/pc/products/1089092>

Assembly tool, for CK 1.6... crimp contacts for small conductor cross sections



---

### Male contact

Male contact - CK1,6-ED-ST-POF - 1884995

<https://www.phoenixcontact.com/pc/products/1884995>

POF fiber optic pin contact, turned, for contact carriers (HC-DD...I-CT.../ HC-M-12-CT-.../ HC-M-17-CT-...) of CK1,6-ED... contacts



# Contact insert - HC-COM- 4/2-ESTC

1408504

<https://www.phoenixcontact.com/pc/products/1408504>



## Contact insert

Contact insert - HC-COM- 4/2-EBUC - 1408517

<https://www.phoenixcontact.com/pc/products/1408517>



HEAVYCON crimp contact insert for compact plastic housing, socket version; 4-pos. + PE supply circuit, 2-pos. control circuit

---

## Contact removal tool

Contact removal tool - UNIFOX RT-CK 1.6 - 1072069

<https://www.phoenixcontact.com/pc/products/1072069>



Contact removal tool, for turned and rolled CK- 1.6-... contacts

# Contact insert - HC-COM- 4/2-ESTC

1408504

<https://www.phoenixcontact.com/pc/products/1408504>



## Contact removal tool

Contact removal tool - UNIFOX RT-CK 4.0 - 1072064

<https://www.phoenixcontact.com/pc/products/1072064>

Contact removal tool, for rotated CK-4,0-... contacts



---

## Crimp contact

Crimp contact - CK1,6-ED-0,37ST AG - 1663336

<https://www.phoenixcontact.com/pc/products/1663336>

Turned 1.6 crimp contact, individual male contact, core diameter 0.14 to 0.37 mm<sup>2</sup>, silver-plated



# Contact insert - HC-COM- 4/2-ESTC

1408504

<https://www.phoenixcontact.com/pc/products/1408504>

## Crimp contact

Crimp contact - CK1,6-ED-0,50ST AG - 1663349

<https://www.phoenixcontact.com/pc/products/1663349>



Crimp contact, contact diameter: 1.6 mm, turned, Pin, contact material: Cu alloy, nickel-plated, contact surface: silver-plated, connection cross section: 0.5 mm<sup>2</sup> ... 0.5 mm<sup>2</sup>, AWG 20

---

## Crimp contact

Crimp contact - CK1,6-ED-0,75ST AG - 1663352

<https://www.phoenixcontact.com/pc/products/1663352>



Crimp contact, contact diameter: 1.6 mm, turned, Pin, contact material: Copper alloy, contact surface: silver-plated, connection cross section: 0.75 mm<sup>2</sup> ... 0.75 mm<sup>2</sup>, AWG 18

# Contact insert - HC-COM- 4/2-ESTC

1408504

<https://www.phoenixcontact.com/pc/products/1408504>

## Crimp contact

Crimp contact - CK1,6-ED-1,00ST AG - 1663365

<https://www.phoenixcontact.com/pc/products/1663365>



Crimp contact, contact diameter: 1.6 mm, turned, Pin, contact material: Copper alloy, contact surface: silver-plated, connection cross section: 1 mm<sup>2</sup> ... 1 mm<sup>2</sup>, AWG 18

---

## Crimp contact

Crimp contact - CK1,6-ED-1,50ST AG - 1663378

<https://www.phoenixcontact.com/pc/products/1663378>



Turned 1.6 crimp contact, individual female contact, core diameter 1.5 mm<sup>2</sup>, silver-plated

# Contact insert - HC-COM- 4/2-ESTC

1408504

<https://www.phoenixcontact.com/pc/products/1408504>

## Crimp contact

Crimp contact - CK4,0-ED-2,50ST AG - 1663242

<https://www.phoenixcontact.com/pc/products/1663242>



Crimp contact, contact diameter: 4 mm, turned, Pin, contact material: Copper alloy, contact surface: silver-plated, connection cross section: 2.5 mm<sup>2</sup> ... 2.5 mm<sup>2</sup>, AWG 14

---

## Crimp contact

Crimp contact - CK1,6-ED-2,50ST AG - 1663381

<https://www.phoenixcontact.com/pc/products/1663381>



Turned 1.6 crimp contact, individual male contact, core diameter 2.5 mm<sup>2</sup>, silver-plated

# Contact insert - HC-COM- 4/2-ESTC

1408504

<https://www.phoenixcontact.com/pc/products/1408504>

## Crimp contact

Crimp contact - CK4,0-ED-6,00ST AG - 1663268

<https://www.phoenixcontact.com/pc/products/1663268>



Turned 4.0 crimp contact, individual male contact, core diameter 6.00 mm<sup>2</sup>, silver-plated

---

## Crimp contact

Crimp contact - CK1,6-ED-0,37ST AU - 1674901

<https://www.phoenixcontact.com/pc/products/1674901>



Turned 1.6 crimp contact, individual male contact, core diameter 0.14 to 0.37 mm<sup>2</sup>, silver-plated



# Contact insert - HC-COM- 4/2-ESTC

1408504

<https://www.phoenixcontact.com/pc/products/1408504>

## Crimp contact

Crimp contact - CK1,6-ED-0,50ST AU - 1672453

<https://www.phoenixcontact.com/pc/products/1672453>



Crimp contact, contact diameter: 1.6 mm, turned, Pin, contact material: Copper alloy, contact surface: gold-plated, connection cross section: 0.5 mm<sup>2</sup> ... 0.5 mm<sup>2</sup>, AWG 20

---

## Crimp contact

Crimp contact - CK1,6-ED-0,75ST AU - 1674914

<https://www.phoenixcontact.com/pc/products/1674914>



Crimp contact, contact diameter: 1.6 mm, turned, Pin, contact material: Copper alloy, contact surface: gold-plated, connection cross section: 0.75 mm<sup>2</sup> ... 0.75 mm<sup>2</sup>, AWG 18

# Contact insert - HC-COM- 4/2-ESTC

1408504

<https://www.phoenixcontact.com/pc/products/1408504>

## Crimp contact

Crimp contact - CK1,6-ED-1,00ST AU - 1674888

<https://www.phoenixcontact.com/pc/products/1674888>



Crimp contact, contact diameter: 1.6 mm, turned, Pin, contact material: Copper alloy, contact surface: gold-plated, connection cross section: 1 mm<sup>2</sup> ... 1 mm<sup>2</sup>, AWG 18

---

## Crimp contact

Crimp contact - CK1,6-ED-1,50ST AU - 1674875

<https://www.phoenixcontact.com/pc/products/1674875>



Turned 1.6 crimp contact, individual female contact, core diameter 1.5 mm<sup>2</sup>, silver-plated

# Contact insert - HC-COM- 4/2-ESTC

1408504

<https://www.phoenixcontact.com/pc/products/1408504>

## Crimp contact

Crimp contact - CK1,6-ED-2,50ST AU - 1674927

<https://www.phoenixcontact.com/pc/products/1674927>



Turned 1.6 crimp contact, individual female contact, core diameter 2.5 mm<sup>2</sup>, gold-plated

---

## Crimp contact

Crimp contact - CK4,0-ED-1,50ST AG - 1663239

<https://www.phoenixcontact.com/pc/products/1663239>



Crimp contact, contact diameter: 4 mm, turned, Pin, contact material: Copper alloy, contact surface: silver-plated, connection cross section: 1.5 mm<sup>2</sup> ... 1.5 mm<sup>2</sup>, AWG 16

# Contact insert - HC-COM- 4/2-ESTC

1408504

<https://www.phoenixcontact.com/pc/products/1408504>

## Crimp contact

Crimp contact - CK4,0-ED-4,00ST AG - 1663255

<https://www.phoenixcontact.com/pc/products/1663255>



Crimp contact, contact diameter: 4 mm, turned, Pin, contact material: Copper alloy, contact surface: silver-plated, connection cross section: 4 mm<sup>2</sup> ... 4 mm<sup>2</sup>, AWG 12

---

## Crimp contact

Crimp contact - CK4,0-ED-10,00ST AG - 1586198

<https://www.phoenixcontact.com/pc/products/1586198>



Turned 4.0 crimp contact, single male contact, 10 mm<sup>2</sup> conductor cross section, silver-plated

# Contact insert - HC-COM- 4/2-ESTC

1408504

<https://www.phoenixcontact.com/pc/products/1408504>

## Crimping pliers with digital display

Crimping pliers with digital display - CRIMPFOX-TC MP-6 - 1202888

<https://www.phoenixcontact.com/pc/products/1202888>



Crimping tool, for turned contacts, universal cross-section setting, up to a maximum of 6.0 mm<sup>2</sup>, digital display with 0.01 mm increments, pressure lock can be unlocked, positioning tool necessary as an accessory for contact positioning

---

## Crimping pliers

Crimping pliers - CRIMPFOX-TC 10 - 1212114

<https://www.phoenixcontact.com/pc/products/1212114>



**Crimping pliers**, for turned contacts with a pin diameter of 4.0 mm, two marked die stations, pressure lock can be released, lateral entry, incl. positioning help

# Contact insert - HC-COM- 4/2-ESTC

1408504

<https://www.phoenixcontact.com/pc/products/1408504>

## Crimping pliers

Crimping pliers - CRIMPFOX-1,6/2,5-ED-4,0 - 1687419

<https://www.phoenixcontact.com/pc/products/1687419>



Crimping pliers, for turned contacts, CK 1.6 ED... and CK 2.5 ED...

---

## Crimping pliers

Crimping pliers - CRIMPFOX-TC 4 - 1212113

<https://www.phoenixcontact.com/pc/products/1212113>



Crimping pliers, for CK 1,6-ED..., CK 2,5-ED..., CK 4,0-ED... turned contacts, 4 marked die stations, unlockable pressure lock, lateral entry, incl. positioning tool

---

Phoenix Contact 2022 © - all rights reserved  
<https://www.phoenixcontact.com>

PHOENIX CONTACT GmbH & Co. KG  
Flachsmarktstraße 8  
D-32825 Blomberg  
+49 (0) 5235-3 00  
[info@phoenixcontact.com](mailto:info@phoenixcontact.com)