

Ferrule - Al 6 -18 GN

3200111

<https://www.phoenixcontact.com/pc/products/3200111>



Please be informed that the data shown in this PDF document is generated from our Online Catalog. Please find the complete data in the user documentation. Our General Terms of Use for Downloads are valid.

Ferrule, sleeve length: 18 mm, length: 26 mm, color: green



Your advantages

- In terms of dimensions, these ferrules conform to DIN 46228-4: 1990-09
- The color code of the plastic insulating collar is based on the French standard NF C 63-023: 1994-02
- The metal sleeves are made from soft tin-plated electrolytic copper

Ferrule - AI 6 -18 GN



3200111

<https://www.phoenixcontact.com/pc/products/3200111>

Commercial Data

Item number	3200111
Packing unit	100 pc
Minimum order quantity	100 pc
Sales Key	05
Product Key	BH3411
Catalog Page	Page 482 (C-3-2019)
GTIN	4017918093761
Weight per Piece (including packing)	0.54 g
Weight per Piece (excluding packing)	0.54 g
Customs tariff number	85369010
Country of origin	DE

Ferrule - AI 6 -18 GN

3200111

<https://www.phoenixcontact.com/pc/products/3200111>

Technical Data

Product properties

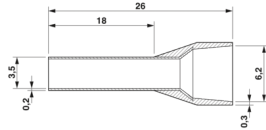
Product type	Ferrule
Conductor category	Stranded conductors, class 2, 5, 6 / B, C, K, M

Connection data

Conductor connection

Conductor cross section flexible max.	6 mm ²
Conductor cross section AWG max.	10
Stripping length	21 mm

Dimensions

Dimensional drawing	
Length	26 mm
Sleeve length	18 mm
Maximum stripping length	21 mm
Ferrule diameter	3.5 mm
Sleeve wall thickness	0.2 mm
Insulating collar thickness	0.3 mm
Inner dimensions of the insulating collar	6.2 mm

Material specifications

Color	green
Material	CU-DHP
Flammability rating according to UL 94	HB
Coating	tin-plated (galvanic)
Insulating material	Polypropylen
Components	free from silicone and halogen

Connector

Material	CU-DHP
Material	CU-DHP

Mechanical properties

Technical data

Sleeve length	18 mm
---------------	-------

Environmental and real-life conditions

Ferrule - AI 6 -18 GN



3200111

<https://www.phoenixcontact.com/pc/products/3200111>

Ambient conditions

Permanent temperature	105 °C (-40°C no load / 0°C dynamic load)
Short-term temperature	120 °C

Standards and regulations

Design according to standard	DIN 46228-4:2017-05
------------------------------	---------------------

Ferrule - AI 6 -18 GN

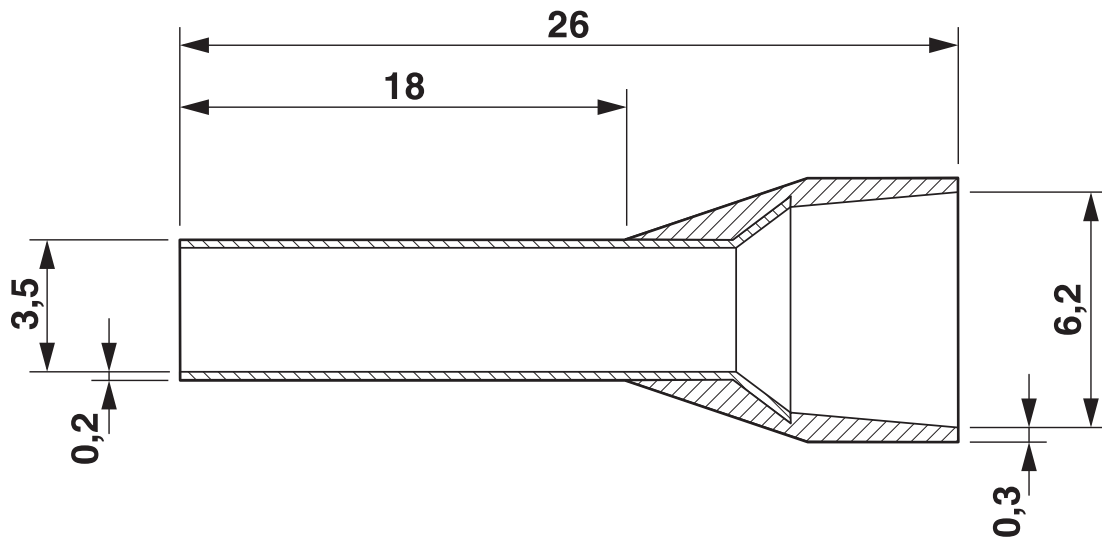
3200111

<https://www.phoenixcontact.com/pc/products/3200111>



Drawings

Dimensional drawing



Ferrule - AI 6 -18 GN



3200111

<https://www.phoenixcontact.com/pc/products/3200111>

Approvals



CSA

Approval ID: 247397



CSAus

Approval ID: 247397

cCSAus

Ferrule - AI 6 -18 GN



3200111

<https://www.phoenixcontact.com/pc/products/3200111>

Classifications

ECLASS

ECLASS-9.0	27400201
ECLASS-10.0.1	27400201
ECLASS-11.0	27400201

ETIM

ETIM 8.0	EC000005
----------	----------

UNSPSC

UNSPSC 21.0	27121700
-------------	----------

Ferrule - AI 6 -18 GN

3200111

<https://www.phoenixcontact.com/pc/products/3200111>



Environmental Product Compliance

China RoHS

Environmentally friendly use period: unlimited = EFUP-e

No hazardous substances above threshold values

Phoenix Contact 2022 © - all rights reserved
<https://www.phoenixcontact.com>

PHOENIX CONTACT GmbH & Co. KG
Flachmarktstraße 8
D-32825 Blomberg
+49 (0) 5235-3 00
info@phoenixcontact.com