

# Flush-type connector - SACC-E-MS-8CON-M16/0,5 SCO



1523492

<https://www.phoenixcontact.com/pc/products/1523492>

Please be informed that the data shown in this PDF document is generated from our Online Catalog. Please find the complete data in the user documentation. Our General Terms of Use for Downloads are valid.

---



Sensor/Actuator flush-type plug, 8-pos., M12-SPEEDCON, A-coded, front/screw mounting with M16 thread, with 0.5 m TPE litz wire, 8 x 0.25 mm<sup>2</sup>

---

## Your advantages

- Pre-assembled with litz wires for immediate use
- Customer-specific assemblies and litz wire lengths available
- Sealed on the litz wire side for optimum leak-tightness
- All standard pin assignments and codings for signal, data, and power transmission with a uniform design-in design
- For high transmission safety: shield connection to the housing with optional EMC nut
- SPEEDCON fast locking system reduces cabling times

# Flush-type connector - SACC-E-MS-8CON-M16/0,5 SCO



1523492

<https://www.phoenixcontact.com/pc/products/1523492>

## Commercial Data

Item number	1523492
Packing unit	1 pc
Minimum order quantity	1 pc
Note	Made to Order (non-returnable)
Product Key	ABQCDA
Catalog Page	Page 37 (C-2-2019)
GTIN	4046356021326
Weight per Piece (including packing)	23.85 g
Weight per Piece (excluding packing)	23.85 g
Customs tariff number	85444290
Country of origin	DE

# Flush-type connector - SACC-E-MS-8CON-M16/0,5 SCO



1523492

<https://www.phoenixcontact.com/pc/products/1523492>

## Technical Data

### Notes

Notes on operation	The electrical and mechanical data specified assume that the connector pair is correctly locked and mounted. If the connector is unlocked and if there is a danger of contamination, the connector must be sealed using a protective cap > IP54. Influences arising from litz wires, cables or PCB assembly must also be taken into consideration.
--------------------	--

### Product properties

Product type	Circular connectors (device side)
Number of positions	8
No. of cable outlets	1
Shielded	no
Coding	A - standard

### Insulation characteristics

Overvoltage category	II
Degree of pollution	3

### Ambient conditions

Degree of protection	IP67
Degree of protection	IP67
Ambient temperature (operation)	-25 °C ... 85 °C (Plug / socket) -40 °C ... 85 °C (without mechanical actuation) -25 °C ... 85 °C (Cable, flexible installation) -40 °C ... 85 °C (cable, fixed installation)

### Connector

Insertion/withdrawal cycles	> 100
-----------------------------	-------

### Header 1

Head design	Plug
Head cable outlet	straight
Head thread type	M12
Head locking type	SPEEDCON
Coding	A-coded

### Electrical properties

Rated surge voltage	0.8 kV
Contact resistance	≤ 3 mΩ
Insulation resistance	≥ 100 MΩ
Nominal voltage $U_N$	30 V
Nominal current $I_N$	2 A

# Flush-type connector - SACC-E-MS-8CON-M16/0,5 SCO



1523492

<https://www.phoenixcontact.com/pc/products/1523492>

## Material specifications

Flammability rating according to UL 94	V0
Sealing material	FKM
Contact material	CuZn
Contact surface material	Ni/Au
Contact carrier material	PA 6.6
Cable gland material	Zinc die-cast, nickel-plated

## Connection data

### Conductor connection

Connection method	Individual wires
-------------------	------------------

## Mounting

Mounting type	Front mounting
---------------	----------------

## Standards and regulations

### M12

Standards/specifications	IEC 61076-2-101
--------------------------	-----------------

## Cable / line

Cable length	0.5 m
--------------	-------

### Cable structure

Cable type	TPE litz wire
Signal type/category	Universal
Conductor material	Tin-plated Cu litz wires
Conductor structure signal line	14x 0.15 mm
AWG signal line	24
Material wire insulation	TPE
Thickness, insulation	0.21 mm (Core insulation)
Wire diameter incl. insulation	1.15 mm ±0.07 mm
Single wire, color	Brown, blue, white, gray, pink, green, yellow, red

### Electrical properties

Nominal voltage, cable	300 V
Test voltage, cable	2000 V AC
Conductor resistance	≤ 80 mΩ/m
Cable insulation resistance	≥ 20 MΩ*km

### Ambient conditions

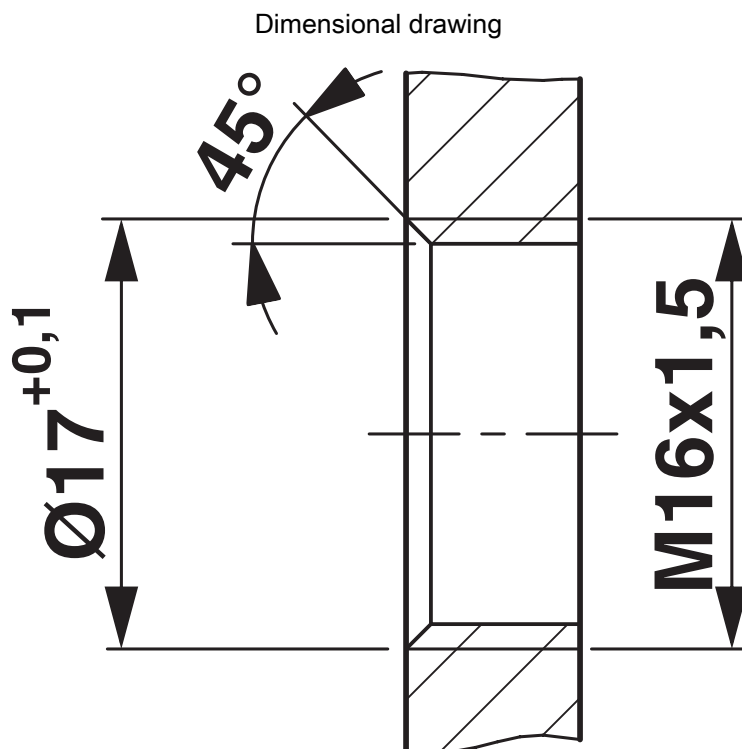
Ambient temperature (operation)	-25 °C ... 85 °C (Cable, flexible installation)
	-40 °C ... 85 °C (cable, fixed installation)

# Flush-type connector - SACC-E-MS-8CON-M16/0,5 SCO

1523492

<https://www.phoenixcontact.com/pc/products/1523492>

## Drawings



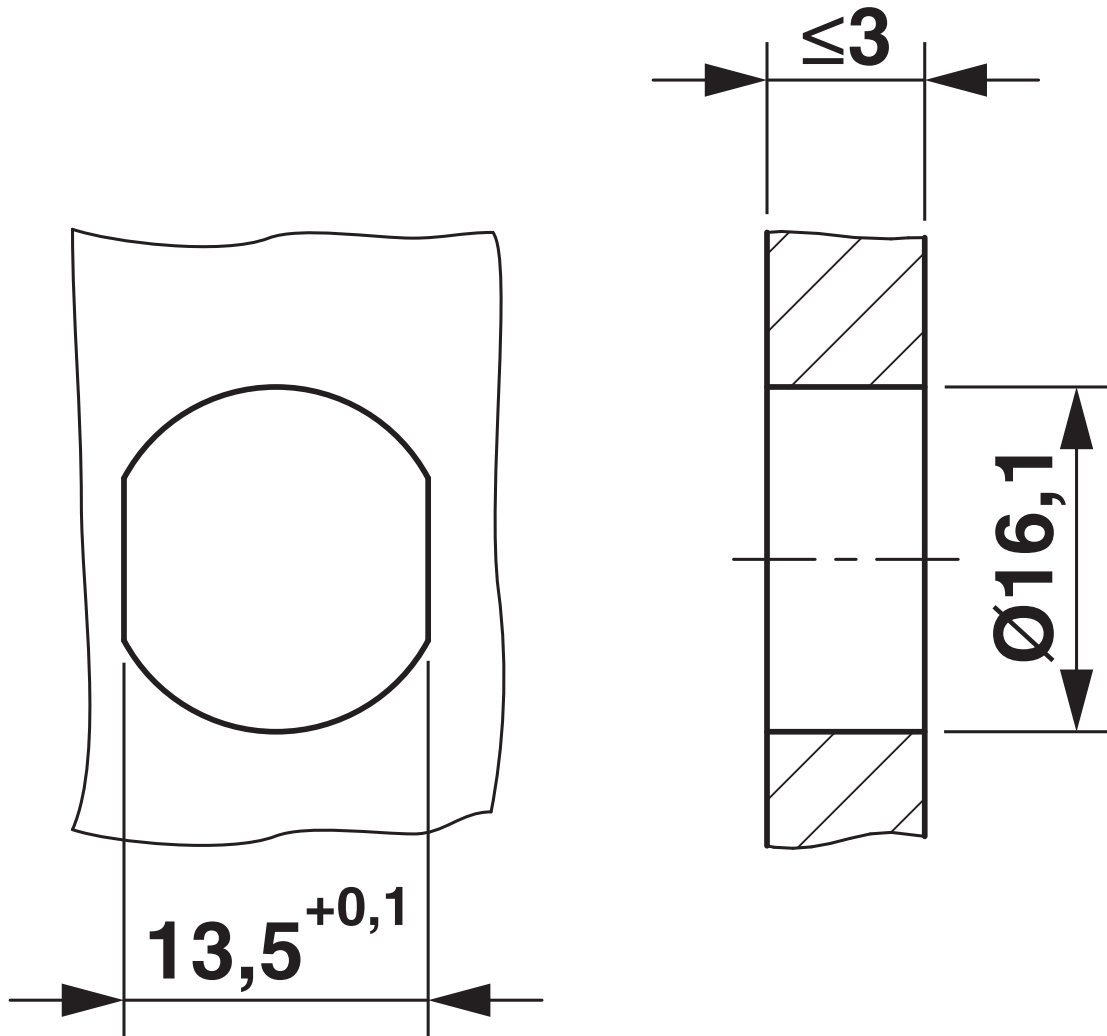
Housing cutout for M16 fastening thread, mounting panel with thread

# Flush-type connector - SACC-E-MS-8CON-M16/0,5 SCO

1523492

<https://www.phoenixcontact.com/pc/products/1523492>

Dimensional drawing

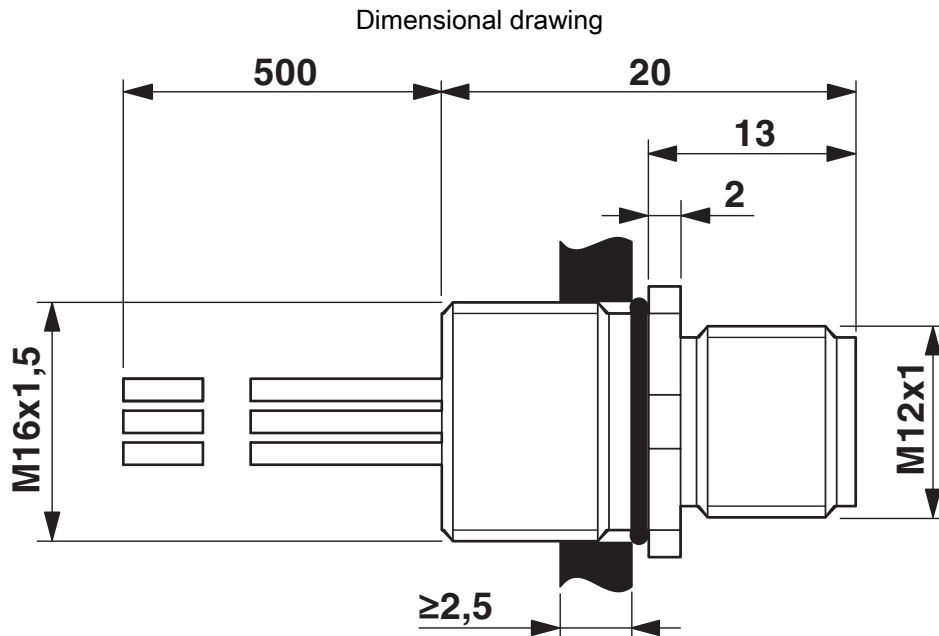


Housing cutout for M16 fastening thread, mounting panel with feed-through hole (alternatively with surface as protection against rotation)

# Flush-type connector - SACC-E-MS-8CON-M16/0,5 SCO

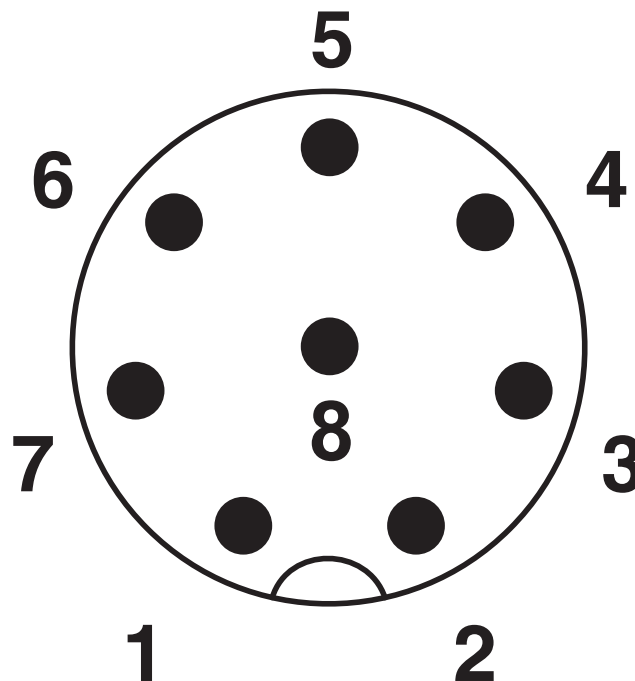
1523492

<https://www.phoenixcontact.com/pc/products/1523492>



M12 flush-type plug

Schematic diagram



Pin assignment M12 plug, 8-pos., view plug side

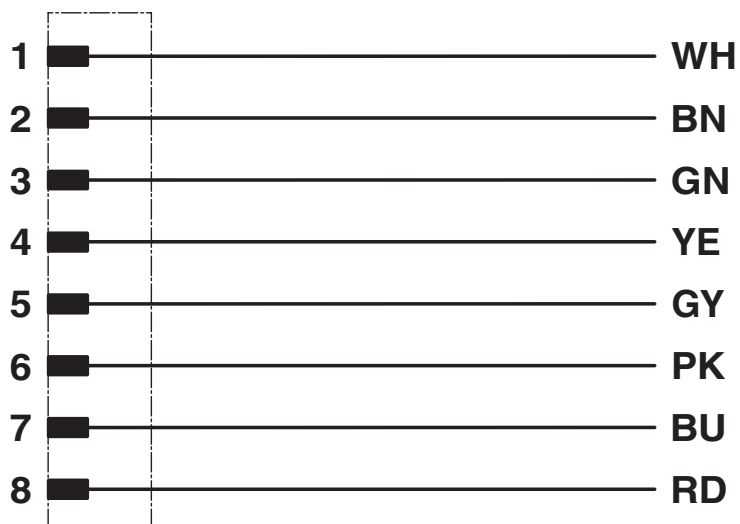
# Flush-type connector - SACC-E-MS-8CON-M16/0,5 SCO



1523492

<https://www.phoenixcontact.com/pc/products/1523492>

Circuit diagram



Contact assignment of the M12 plug




# Flush-type connector - SACC-E-MS-8CON-M16/0,5 SCO




1523492

<https://www.phoenixcontact.com/pc/products/1523492>

## Approvals

 <b>UL Recognized</b> Approval ID: FILE E 118976				
	Nominal Voltage $U_N$	Nominal Current $I_N$	Cross Section AWG	Cross Section $\text{mm}^2$
	30 V	2 A	- 24	-

 <b>EAC</b> Approval ID: B.01687				
--	--	--	--	--

 <b>cULus Recognized</b> Approval ID: E221474-20140616				
	Nominal Voltage $U_N$	Nominal Current $I_N$	Cross Section AWG	Cross Section $\text{mm}^2$
	30 V	2 A	24 - 22	-

# Flush-type connector - SACC-E-MS-8CON-M16/0,5 SCO



1523492

<https://www.phoenixcontact.com/pc/products/1523492>

## Classifications

### ECLASS

ECLASS-10.0.1	27440102
ECLASS-9.0	27440102
ECLASS-11.0	27440102

### ETIM

ETIM 8.0	EC002635
----------	----------

### UNSPSC

UNSPSC 21.0	39121400
-------------	----------

# Flush-type connector - SACC-E-MS-8CON-M16/0,5 SCO



1523492

<https://www.phoenixcontact.com/pc/products/1523492>

## Environmental Product Compliance

REACH SVHC	Lead 7439-92-1
China RoHS	Environmentally Friendly Use Period = 50 years
	For information on hazardous substances, refer to the manufacturer's declaration available under "Downloads"

# Flush-type connector - SACC-E-MS-8CON-M16/0,5 SCO



1523492

<https://www.phoenixcontact.com/pc/products/1523492>

## Accessories

### Flat gasket

Flat gasket - SACC-M16-SEAL CLM - 1430394

<https://www.phoenixcontact.com/pc/products/1430394>

M16 flat gasket for M12 flush-type connectors with M16 fastening thread



---

### Flat nut

Flat nut - SACC-E-MU-M16 - 1504097

<https://www.phoenixcontact.com/pc/products/1504097>

Flat nut with M16 thread



# Flush-type connector - SACC-E-MS-8CON-M16/0,5 SCO

1523492

<https://www.phoenixcontact.com/pc/products/1523492>

## Sealing cap

Sealing cap - PROT-M12 FS - 1560251

<https://www.phoenixcontact.com/pc/products/1560251>



M12 sealing cap for unoccupied M12 plugs of the sensor/actuator cable, flush-type plugs and I/O devices in the field

---

## Sealing cap

Sealing cap - PROT-M12 FS-M - 1430488

<https://www.phoenixcontact.com/pc/products/1430488>



M12 metal sealing cap for unoccupied M12 plugs of the sensor/actuator cable, flush-type plugs and I/O devices in the field

---

Phoenix Contact 2022 © - all rights reserved  
<https://www.phoenixcontact.com>

PHOENIX CONTACT GmbH & Co. KG  
Flachsmarktstraße 8  
D-32825 Blomberg  
+49 (0) 5235-3 00  
[info@phoenixcontact.com](mailto:info@phoenixcontact.com)