

D-SUB sleeve housings - VS-09-T-2M16



1688353

<https://www.phoenixcontact.com/pc/products/1688353>

Please be informed that the data shown in this PDF document is generated from our Online Catalog. Please find the complete data in the user documentation. Our General Terms of Use for Downloads are valid.



D-SUB sleeve housings, degree of protection: IP67, material: PA, cable outlet: angled, housing size: 1, color: gray

Your advantages

- IP67 protection class
- Two cable outlets ideal for hybrid applications

D-SUB sleeve housings - VS-09-T-2M16



1688353

<https://www.phoenixcontact.com/pc/products/1688353>

Commercial Data

Item number	1688353
Packing unit	5 pc
Minimum order quantity	1 pc
Note	Made to Order (non-returnable)
Product Key	ABNFAA
Catalog Page	Page 219 (C-2-2013)
GTIN	4017918817503
Weight per Piece (including packing)	39.2 g
Weight per Piece (excluding packing)	39.2 g
Customs tariff number	85389099
Country of origin	DE

Technical Data

Notes

Safety note

<p>Safety note</p>	<p>WARNING: The connectors may not be plugged in or disconnected under load. Ignoring the warning or improper use may damage persons and/or property.</p> <ul style="list-style-type: none"> • WARNING: Commission properly functioning products only. The products must be regularly inspected for damage. Decommission defective products immediately. Replace damaged products. Repairs are not possible. • WARNING: Only electrically qualified personnel may install and operate the product. They must observe the following safety notes. The qualified personnel must be familiar with the basics of electrical engineering. They must be able to recognize and prevent danger. The relevant symbol on the packaging indicates that only personnel familiar with electrical engineering are allowed to install and operate the product. • The products are suitable for applications in plant, controller, and electrical device engineering. • When operating the connectors in outdoor applications, they must be separately protected against environmental influences. • Assembled products may not be manipulated or improperly opened. • Only use mating connectors that are specified in the technical data of the standards listed (e.g. the ones listed in the product accessories online at phoenixcontact.com/products). • When using the product in direct connection with third-party manufacturers, the user is responsible. • For operating voltages > 50 V AC, conductive connector housings must be grounded • Only use tools recommended by Phoenix Contact • The installation notes/Design In documents online on the download page at phoenixcontact.com/products must be observed for this product. • Use a protective cap to protect connectors that are not in use. The suitable accessories are available online in the accessory section of the product at phoenixcontact.com/products • Operate the connector only when it is fully plugged in and interlocked. • Operate the connector only when it is fully plugged in. • Ensure that when laying the cable, the tensile load on the connectors does not exceed the upper limit specified in the standards. • Observe the minimum bending radius of the cable. Lay the cable without twisting it. • VDE 0100/1.97 § 411.1.3.2 and DIN EN 60 204/11.98 § 14.1.3 are applicable when combining several circuits in a cable and/or connector
--------------------	--

Product properties

D-SUB sleeve housings - VS-09-T-2M16

1688353

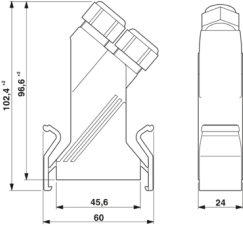
<https://www.phoenixcontact.com/pc/products/1688353>

Type	D-SUB 9
Product type	Sleeve housings
No. of cable outlets	2
Type of the screw connection	M16
Cable outlet	angled

Insulation characteristics

Degree of pollution	2
---------------------	---

Dimensions

Dimensional drawing	
Width	60 mm
Height	24 mm
Length	89 mm

Material specifications

Color	gray
Flammability rating according to UL 94	V0
Housing material	PA

Connector

Insertion/withdrawal cycles	≥ 1000
Insertion/withdrawal cycles	≥ 1000
Housing material	PA
Degree of protection	IP67
Insertion/withdrawal cycles	≥ 1000

Cable / line

Cable structure

External cable diameter	3 mm ... 9 mm
-------------------------	---------------

Mechanical properties

Mechanical data

Type of the screw connection	M16
------------------------------	-----

Environmental and real-life conditions

Ambient conditions

D-SUB sleeve housings - VS-09-T-2M16



1688353

<https://www.phoenixcontact.com/pc/products/1688353>

Degree of protection	IP67 (when plugged in)
Degree of protection	IP67
Ambient temperature (operation)	-40 °C ... 80 °C

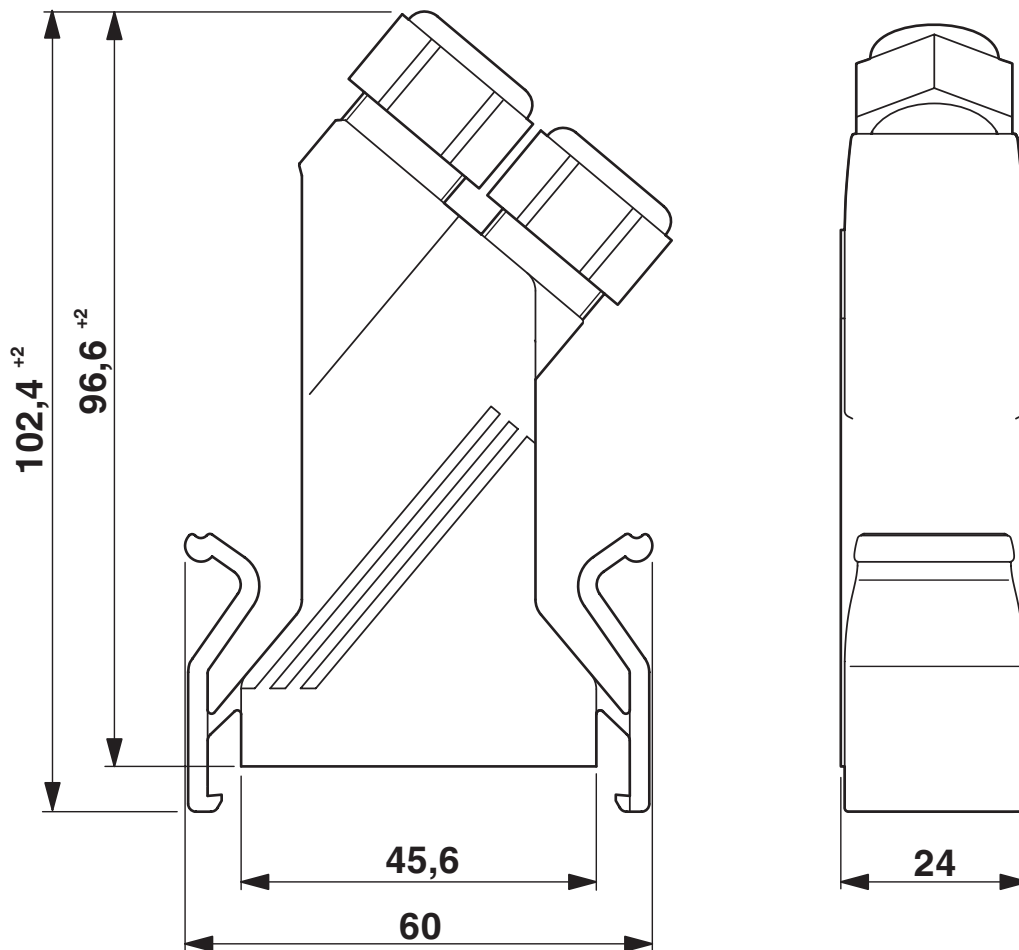
D-SUB sleeve housings - VS-09-T-2M16

1688353

<https://www.phoenixcontact.com/pc/products/1688353>

Drawings

Dimensional drawing



D-SUB sleeve housings

D-SUB sleeve housings - VS-09-T-2M16



1688353

<https://www.phoenixcontact.com/pc/products/1688353>

Approvals



EAC

Approval ID: B.01687

D-SUB sleeve housings - VS-09-T-2M16



1688353

<https://www.phoenixcontact.com/pc/products/1688353>

Classifications

ECLASS

ECLASS-9.0	27440202
ECLASS-10.0.1	27440202
ECLASS-11.0	27440202

ETIM

ETIM 8.0	EC000437
----------	----------

UNSPSC

UNSPSC 21.0	31261500
-------------	----------

D-SUB sleeve housings - VS-09-T-2M16



1688353

<https://www.phoenixcontact.com/pc/products/1688353>

Environmental Product Compliance

China RoHS	Environmentally friendly use period: unlimited = EFUP-e
	No hazardous substances above threshold values

D-SUB sleeve housings - VS-09-T-2M16

1688353

<https://www.phoenixcontact.com/pc/products/1688353>

Accessories

D-SUB EMC inner sleeve

D-SUB EMC inner sleeve - VS-09-TI-2EMV - 1688476

<https://www.phoenixcontact.com/pc/products/1688476>

D-SUB EMC inner sleeve, for sleeve housing VS-09-..., shell size 1, shielded



D-SUB pressure nut

D-SUB pressure nut - VS-M16 (3-6) - 1688450

<https://www.phoenixcontact.com/pc/products/1688450>

D-SUB cap nut with line seal, for sleeve housing VS-09-..., conductor diameter of 3 mm ... 6 mm



D-SUB sleeve housings - VS-09-T-2M16

1688353

<https://www.phoenixcontact.com/pc/products/1688353>

D-SUB pressure nut

D-SUB pressure nut - VS-M16 (5-9) - 1688447

<https://www.phoenixcontact.com/pc/products/1688447>



D-SUB cap nut with line seal, for sleeve housing VS-09-..., conductor diameter of 5 mm ... 9 mm

Filler plugs

Filler plugs - Q-PROT 9/11 - 1670235

<https://www.phoenixcontact.com/pc/products/1670235>



Closing cap for Pg9/Pg11 to close unoccupied connections

D-SUB sleeve housings - VS-09-T-2M16

1688353

<https://www.phoenixcontact.com/pc/products/1688353>

Zack marker strip

Zack marker strip - ZBN 18:UNBEDRUCKT - 2809128

<https://www.phoenixcontact.com/pc/products/2809128>



Zack marker strip, Strip, white, unlabeled, can be labeled with: CMS-P1-PLOTTER, PLOTMARK, mounting type: snap in, for terminal block width: 18 mm, lettering field size: 18 x 5 mm, Number of individual labels: 5

Coding profile

Coding profile - CP-HCC 4 - 1600027

<https://www.phoenixcontact.com/pc/products/1600027>

Coding element, Coding profile, color: red, product range: CODIERUNG



Phoenix Contact 2022 © - all rights reserved

<https://www.phoenixcontact.com>

PHOENIX CONTACT GmbH & Co. KG

Flachsmarktstraße 8

D-32825 Blomberg

+49 (0) 5235-3 00

info@phoenixcontact.com