

Cover profile carrier - AP 2-TU

5022630

<https://www.phoenixcontact.com/de/produkte/5022630>



Please be informed that the data shown in this PDF document is generated from our Online Catalog. Please find the complete data in the user documentation. Our General Terms of Use for Downloads are valid.



Cover profile carrier for mounting on NS 32 or NS 35/7.5 DIN rail for attaching the cover profile AP 2.2 mm thick

Your advantages

- Large-surface labeling with AP-ES insert strips
- Cover profiles provide protection against unauthorized actuation of terminal strips

Cover profile carrier - AP 2-TU

5022630

<https://www.phoenixcontact.com/de/produkte/5022630>



Commercial Data

Item number	5022630
Packing unit	50 pc
Minimum order quantity	1 pc
Sales Key	A1 - Reihenklennen
Product Key	BE61ZX
Catalog Page	Page 548 (C-3-2019)
GTIN	4017918095239
Weight per Piece (including packing)	5,72 g
Weight per Piece (excluding packing)	5,72 g
Customs tariff number	85389099
Country of origin	DE

Cover profile carrier - AP 2-TU

5022630

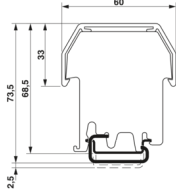
<https://www.phoenixcontact.com/de/produkte/5022630>

Technical Data

Product properties

Product type	Cover profile carrier
--------------	-----------------------

Dimensions

Dimensional drawing	
Width	2.1 mm
Height	68.5 mm
Length	55.5 mm
Material strength	2.00 mm

Material specifications

Color	gray
Material	PA
Flammability rating according to UL 94	V2

Environmental and real-life conditions

Ambient conditions

Ambient temperature (operation)	-60 °C ... 105 °C (max. short-term operating temperature RTI Elec.)
Ambient temperature (storage/transport)	-25 °C ... 60 °C (for a short time, not exceeding 24 h, -60 °C to +70 °C)
Ambient temperature (assembly)	-5 °C ... 70 °C
Ambient temperature (actuation)	-5 °C ... 70 °C
Permissible humidity (storage/transport)	30 % ... 70 %

Cover profile carrier - AP 2-TU

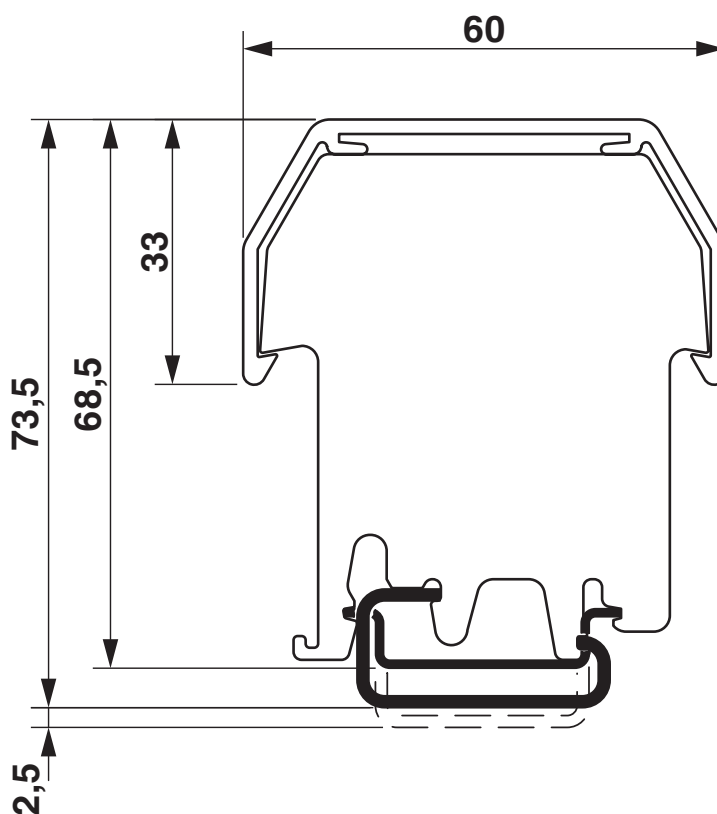
5022630

<https://www.phoenixcontact.com/de/produkte/5022630>



Drawings

Dimensional drawing



Cover profile carrier - AP 2-TU

5022630

<https://www.phoenixcontact.com/de/produkte/5022630>



Classifications

ECLASS

ECLASS-9.0	27141190
ECLASS-11.0	27141190
ECLASS-10.0.1	27141190

ETIM

ETIM 8.0	EC002848
----------	----------

UNSPSC

UNSPSC 21.0	39121400
-------------	----------

Cover profile carrier - AP 2-TU

5022630

<https://www.phoenixcontact.com/de/produkte/5022630>



Environmental Product Compliance

China RoHS	Environmentally friendly use period: unlimited = EFUP-e
	No hazardous substances above threshold values

Cover profile carrier - AP 2-TU

5022630

<https://www.phoenixcontact.com/de/produkte/5022630>

Accessories

Cover profile

Cover profile - AP 2 METER - 5022627

<https://www.phoenixcontact.com/de/produkte/5022627>



Cover profile, for covering terminal strips, snaps onto cover profile carrier AP 2-TU, can be marked with insert strip AP-ES. Cover profile carriers should be placed at the ends and at intervals of approx. 40 cm. Length: 1 m

Cover profile

Cover profile - AP 2 CM - 5022889

<https://www.phoenixcontact.com/de/produkte/5022889>



Cover profile for covering terminal strips, snaps onto cover profile carrier AP 2-TU, can be labeled with insert strip AP-ES. A cover profile carrier is to be positioned at the ends and at intervals of approx. 40 cm. Maximum supply length: As per customer order

Phoenix Contact 2022 © - all rights reserved

<https://www.phoenixcontact.com>

PHOENIX CONTACT Deutschland GmbH

Flachsmarktstraße 8

D-32825 Blomberg

+49 52 35/3-1 20 00

info@phoenixcontact.de