

# Shield connection clamp - SKS 8-D

3240213

<https://www.phoenixcontact.com/pc/products/3240213>

Please be informed that the data shown in this PDF document is generated from our Online Catalog. Please find the complete data in the user documentation. Our General Terms of Use for Downloads are valid.

---



Shield connection terminal block, for applying the shield directly to the conductive mounting plates

---

## Your advantages

- The SKS ... spring shield connection clamps are available for cable and conductor diameters of 3 to 20 mm
- According to the requirements of the directive and standards for electrical equipment in potentially explosive areas, as components, shield connections are not eligible for certification. As such, shield connection clamps can be used in the Ex area even without appropriate approval and marking.
- Three different mounting types supported: on NS 35 DIN rails, on busbars or directly on conductive mounting plates

# Shield connection clamp - SKS 8-D



3240213

<https://www.phoenixcontact.com/pc/products/3240213>

## Commercial Data

Item number	3240213
Packing unit	10 pc
Minimum order quantity	1 pc
Note	Made to Order (non-returnable)
Product Key	BE7521
Catalog Page	Page 569 (C-3-2019)
GTIN	4046356458665
Weight per Piece (including packing)	11.255 g
Weight per Piece (excluding packing)	11 g
Customs tariff number	85369010
Country of origin	DE

# Shield connection clamp - SKS 8-D

3240213

<https://www.phoenixcontact.com/pc/products/3240213>

## Technical Data

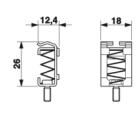
### Product properties

Product type	Shield connection clamp
Pitch	12.4 mm
Number of connections	1
Number of rows	1

### Connection data

Grounding foot	Yes
Screw thread	M4
Conductor cross section solid	3 mm <sup>2</sup> ... 8 mm <sup>2</sup>
Cross section AWG	12 ... 8
Conductor cross section flexible	3 mm <sup>2</sup> ... 8 mm <sup>2</sup>
Conductor cross section, flexible [AWG]	12 ... 8

### Dimensions

Dimensional drawing	
Width	12.4 mm
Height	34.9 mm
Length	18 mm
Pitch	12.4 mm

### Material specifications

Color	silver
Material	Steel

### Connector

Material	Steel
Material	Steel

### Cable / line

#### Cable structure

External cable diameter	3 mm ... 8 mm
-------------------------	---------------

### Mechanical properties

#### Mechanical data

Open side panel	No
-----------------	----

# Shield connection clamp - SKS 8-D



3240213

<https://www.phoenixcontact.com/pc/products/3240213>

## Mounting

Mounting type
direct screw connection

# Shield connection clamp - SKS 8-D

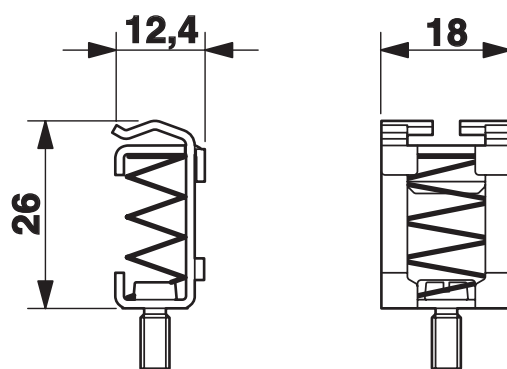
3240213

<https://www.phoenixcontact.com/pc/products/3240213>



## Drawings

Dimensional drawing



# Shield connection clamp - SKS 8-D



3240213

<https://www.phoenixcontact.com/pc/products/3240213>

## Classifications

### ECLASS

ECLASS-9.0	27141150
ECLASS-10.0.1	27141150
ECLASS-11.0	27141150

### ETIM

ETIM 8.0	EC002020
----------	----------

### UNSPSC

UNSPSC 21.0	39121400
-------------	----------

# Shield connection clamp - SKS 8-D



3240213

<https://www.phoenixcontact.com/pc/products/3240213>

## Environmental Product Compliance

China RoHS	Environmentally friendly use period: unlimited = EFUP-e
	No hazardous substances above threshold values

# Shield connection clamp - SKS 8-D

3240213

<https://www.phoenixcontact.com/pc/products/3240213>

## Accessories

### Connection terminal block

Connection terminal block - AK 4 - 0404017

<https://www.phoenixcontact.com/pc/products/0404017>



Connection terminal block, connection method: Screw connection, Rated cross section: 4 mm<sup>2</sup>, cross section: 0.5 mm<sup>2</sup> - 6 mm<sup>2</sup>, mounting: Neutral busbar, color: silver

---

### Connection terminal block

Connection terminal block - AKG 4 GNYE - 0421029

<https://www.phoenixcontact.com/pc/products/0421029>



Connection terminal block, nom. voltage: 300 V, nominal current: 41 A, connection method: Screw connection, Rated cross section: 4 mm<sup>2</sup>, cross section: 0.5 mm<sup>2</sup> - 6 mm<sup>2</sup>, mounting: Neutral busbar, color: green-yellow



# Shield connection clamp - SKS 8-D

3240213

<https://www.phoenixcontact.com/pc/products/3240213>



## Connection terminal block

Connection terminal block - AKG 4 BK - 0421032

<https://www.phoenixcontact.com/pc/products/0421032>



Connection terminal block, nom. voltage: 300 V, nominal current: 41 A, connection method: Screw connection, Rated cross section: 4 mm<sup>2</sup>, cross section: 0.5 mm<sup>2</sup> - 6 mm<sup>2</sup>, mounting: Neutral busbar, color: black

---

## Support bracket

Support bracket - AB-SK - 3025341

<https://www.phoenixcontact.com/pc/products/3025341>

Support bracket for busbars



# Shield connection clamp - SKS 8-D

3240213

<https://www.phoenixcontact.com/pc/products/3240213>



## Support bracket

Support bracket - AB/SS - 0404428

<https://www.phoenixcontact.com/pc/products/0404428>



Support bracket made from insulation material, with retaining screw, can be used with either 3 x 10 mm or 6 x 6 mm busbar, color: gray

---

Phoenix Contact 2022 © - all rights reserved

<https://www.phoenixcontact.com>

PHOENIX CONTACT GmbH & Co. KG

Flachsmarktstraße 8

D-32825 Blomberg

+49 (0) 5235-3 00

[info@phoenixcontact.com](mailto:info@phoenixcontact.com)