

# Type 2 surge arrester - VAL-MS 230/FM

2839130

<https://www.phoenixcontact.com/pc/products/2839130>



Please be informed that the data shown in this PDF document is generated from our Online Catalog. Please find the complete data in the user documentation. Our General Terms of Use for Downloads are valid.

---



Surge voltage arrester consisting of base element with remote indicator contact and ground connector with high-capacity varistor, for mounting on NS 35/7.5, nominal voltage: 230 V AC, 1-channel

---

## Your advantages

- Quality proven millions of times over in the widest range of applications
- Rapid installation with bridges, thanks to industry-standard overall width of 1 HP
- Easy testing and insulation measurement, thanks to pluggable protection modules
- Wide range of applications due to various nominal voltages
- High degree of modularity provides individual solutions for every application

# Type 2 surge arrester - VAL-MS 230/FM



2839130

<https://www.phoenixcontact.com/pc/products/2839130>

## Commercial Data

Item number	2839130
Packing unit	1 pc
Minimum order quantity	1 pc
Product Key	CL1321
Catalog Page	Page 44 (C-6-2015)
GTIN	4017918182595
Weight per Piece (including packing)	135.9 g
Weight per Piece (excluding packing)	135.2 g
Customs tariff number	85363030
Country of origin	DE

# Type 2 surge arrester - VAL-MS 230/FM



2839130

<https://www.phoenixcontact.com/pc/products/2839130>

## Technical Data

### Product properties

IEC test classification	II
	T2
EN type	T2
IEC power supply system	TN
	TT
Type	DIN rail module, two-section, divisible
Product type	Surge arrester
Number of positions	1
Surge protection fault message	Optical, remote indicator contact

### Insulation characteristics

Overvoltage category	III
Pollution degree	2

### Electrical properties

Nominal frequency $f_N$	50 Hz (60 Hz)
-------------------------	---------------

### Indicator/remote signaling

Connection name	Remote fault indicator contact
Switching function	Changeover contact
Operating voltage	5 V AC ... 250 V AC
	30 V DC
Operating current	5 mA AC ... 1 A AC
	1 A DC

### Connection data

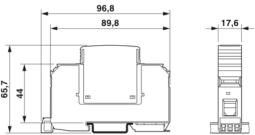
Connection method	Screw connection
Screw thread	M5
Tightening torque	3 Nm (1.5 mm <sup>2</sup> ... 16 mm <sup>2</sup> )
	4.5 Nm (25 mm <sup>2</sup> ... 35 mm <sup>2</sup> )
Stripping length	16 mm
Conductor cross section flexible	1.5 mm <sup>2</sup> ... 25 mm <sup>2</sup>
Conductor cross section solid	1.5 mm <sup>2</sup> ... 35 mm <sup>2</sup>
Conductor cross section AWG	15 ... 2
Connection method	Fork-type cable lug
Conductor cross section flexible	1.5 mm <sup>2</sup> ... 16 mm <sup>2</sup>

### Dimensions

# Type 2 surge arrester - VAL-MS 230/FM

2839130

<https://www.phoenixcontact.com/pc/products/2839130>

Dimensional drawing	
Width	17.6 mm
Height	96.8 mm
Depth	65.7 mm (incl. DIN rail 7.5 mm)
Horizontal pitch	1 Div.

## Material specifications

Color	jet black RAL 9005
Flammability rating according to UL 94	V-0
CTI value of material	600
Insulating material	PA 6.6/PBT
Material group	I
Housing material	PA 6.6 PBT

## Protective circuit

Mode of protection	L-N L-PEN
Direction of action	1L-N/PE
Nominal voltage $U_N$	240/415 V AC (TN) 240/415 V AC (TT)
Nominal frequency $f_N$	50 Hz (60 Hz)
Maximum continuous voltage $U_C$	275 V AC
Rated load current $I_L$	80 A
Residual current $I_{PE}$	$\leq 0.45$ mA
Standby power consumption $P_C$	$\leq 120$ mVA
Nominal discharge current $I_n$ (8/20) $\mu$ s	20 kA
Maximum discharge current $I_{max}$ (8/20) $\mu$ s	40 kA
Short-circuit current rating $I_{SCCR}$	25 kA
Voltage protection level $U_p$	$\leq 1.35$ kV
Residual voltage $U_{res}$	$\leq 1.35$ kV (at $I_n$ ) $\leq 1.1$ kV (at 10 kA) $\leq 1$ kV (at 5 kA) $\leq 0.9$ kV (at 3 kA)
TOV behavior at $U_T$	335 V AC (5 s / withstand mode) 440 V AC (120 min / safe failure mode)
Response time $t_A$	$\leq 25$ ns
Max. backup fuse with V-type through wiring	80 A (gG)
Max. backup fuse with branch wiring	125 A (gG)

# Type 2 surge arrester - VAL-MS 230/FM



2839130

<https://www.phoenixcontact.com/pc/products/2839130>

## Environmental and real-life conditions

### Ambient conditions

Degree of protection	IP20 (only when all terminal points are used)
Ambient temperature (operation)	-40 °C ... 80 °C
Ambient temperature (storage/transport)	-40 °C ... 80 °C
Altitude	≤ 2000 m (amsl (above mean sea level))
Permissible humidity (operation)	5 % ... 95 %
Shock (operation)	25g (Half-sine / 11 ms / 3x ±X, ±Y, ±Z)
Vibration (operation)	5g (10 ... 500 Hz / 2.5 h / X, Y, Z)

## Approval data

### UL specifications

Maximum continuous operating voltage MCOV (L-N)	275 V AC
Nominal discharge current $I_n$ (L-N)	20 kA
Mode of protection	L-N
Nominal voltage	230 V AC
Power distribution system	Single phase
Nominal frequency	50/60 Hz
Measured limiting voltage MLV (L-N)	1900 V
SPD Type	4CA
AC operating voltage	125 V AC
AC operating current	1 A AC

### UL connection data

Tightening torque	30 lb <sub>F</sub> -in.
Conductor cross section AWG	14 ... 2

## Standards and regulations

Standards/specifications	IEC 61643-11
Standards/specifications	EN 61643-11

## Mounting

Mounting type	DIN rail: 35 mm
---------------	-----------------

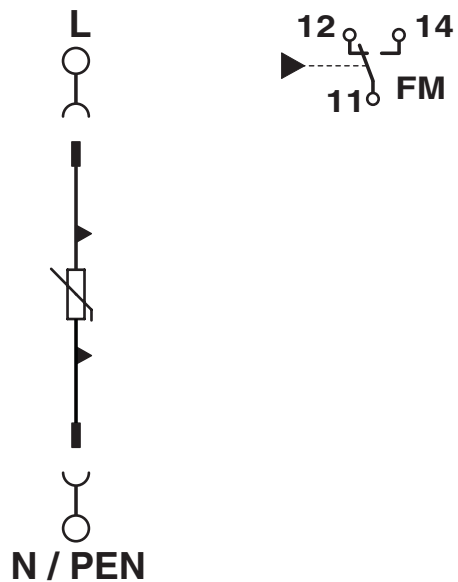
# Type 2 surge arrester - VAL-MS 230/FM

2839130

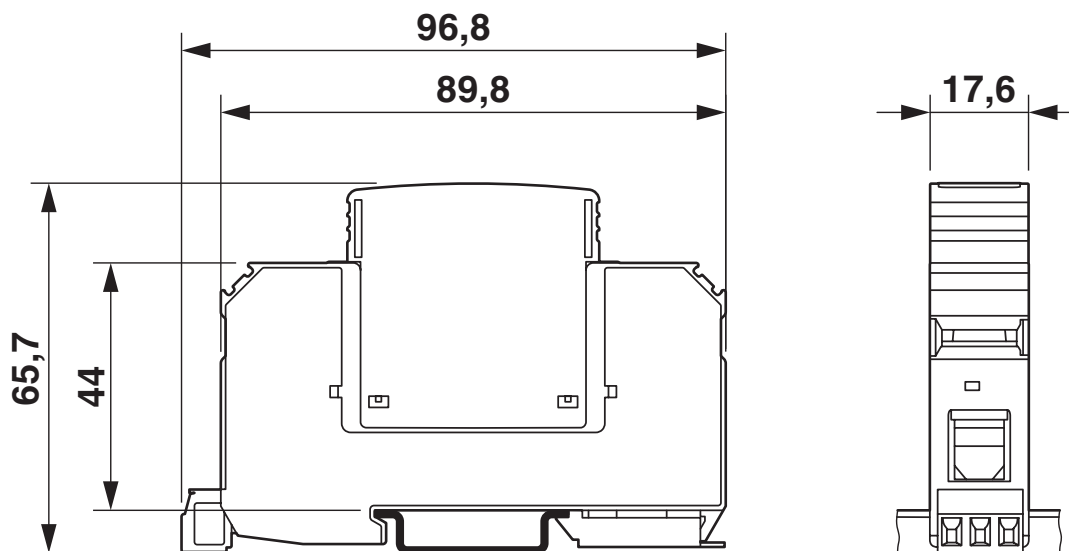
<https://www.phoenixcontact.com/pc/products/2839130>

## Drawings

Circuit diagram



Dimensional drawing



# Type 2 surge arrester - VAL-MS 230/FM



2839130

<https://www.phoenixcontact.com/pc/products/2839130>

## Approvals



**cUL Recognized**  
Approval ID: FILE E 330181



**UL Recognized**  
Approval ID: FILE E 330181



**IECEE CB Scheme**  
Approval ID: AT 2905/M1



**EAC**  
Approval ID: EAC-Zulassung

### CCA

Approval ID: NTR-AT 1947-A

Nominal Voltage  $U_N$

Nominal Current  $I_N$

Cross Section AWG

Cross Section  $\text{mm}^2$

-

-



**KEMA-KEUR**  
Approval ID: 71-113273



**DNV GL**  
Approval ID: TAE000041M

Nominal Voltage  $U_N$

Nominal Current  $I_N$

Cross Section AWG

Cross Section  $\text{mm}^2$

-

-



**EAC**  
Approval ID: RU C-DE.\*09.B.00169



**CSA**  
Approval ID: 13631



**ÖVE**  
Approval ID: 18583-001-15

cULus Recognized

# Type 2 surge arrester - VAL-MS 230/FM

2839130

<https://www.phoenixcontact.com/pc/products/2839130>





# Type 2 surge arrester - VAL-MS 230/FM



2839130

<https://www.phoenixcontact.com/pc/products/2839130>

## Classifications

### ECLASS

ECLASS-9.0	27130805
ECLASS-10.0.1	27130805
ECLASS-11.0	27130805

### ETIM

ETIM 8.0	EC000941
----------	----------

### UNSPSC

UNSPSC 21.0	39121600
-------------	----------

# Type 2 surge arrester - VAL-MS 230/FM



2839130

<https://www.phoenixcontact.com/pc/products/2839130>

## Environmental Product Compliance

REACH SVHC	Lead 7439-92-1
China RoHS	Environmentally friendly use period: unlimited = EFUP-e
	No hazardous substances above threshold values

# Type 2 surge arrester - VAL-MS 230/FM

2839130

<https://www.phoenixcontact.com/pc/products/2839130>

## Accessories

### Wiring bridge

Wiring bridge - MPB 18/1-10/1.0.0 - 2830443

<https://www.phoenixcontact.com/pc/products/2830443>



Wiring bridge for modules with connecting pitch 17.5 mm, 1-phase, 10 pitches with contact sequence 1-0-0

---

### Wiring bridge

Wiring bridge - MPB 18/4- 8 - 2809283

<https://www.phoenixcontact.com/pc/products/2809283>



Wiring bridge for modules with connecting pitch 17.5 mm, 4-phase, 8-pos.

# Type 2 surge arrester - VAL-MS 230/FM

2839130

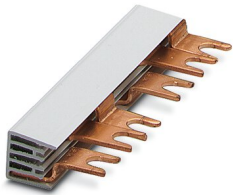
<https://www.phoenixcontact.com/pc/products/2839130>

## Wiring bridge

Wiring bridge - MPB 18/3- 6 - 2809241

<https://www.phoenixcontact.com/pc/products/2809241>

Wiring bridge for modules with connecting pitch 17.5 mm, 3-phase, 6-pos.



---

## Wiring bridge

Wiring bridge - MPB 18/1-57 - 2809238

<https://www.phoenixcontact.com/pc/products/2809238>

Wiring bridge for modules with connecting pitch 17.5 mm, 1-phase, 57-pos.



# Type 2 surge arrester - VAL-MS 230/FM

2839130

<https://www.phoenixcontact.com/pc/products/2839130>

## Wiring bridge

Wiring bridge - MPB 18/1-12 - 2748593

<https://www.phoenixcontact.com/pc/products/2748593>



Wiring bridge for modules with connecting pitch 17.5 mm, 1-phase, 12-pos.

---

## Wiring bridge

Wiring bridge - MPB 18/1- 9 - 2748580

<https://www.phoenixcontact.com/pc/products/2748580>



Wiring bridge for modules with connecting pitch 17.5 mm, 1-phase, 9-pos.

# Type 2 surge arrester - VAL-MS 230/FM

2839130

<https://www.phoenixcontact.com/pc/products/2839130>

## Wiring bridge

Wiring bridge - MPB 18/1- 8 - 2748577

<https://www.phoenixcontact.com/pc/products/2748577>



Wiring bridge for modules with connecting pitch 17.5 mm, 1-phase, 8-pos.

---

## Wiring bridge

Wiring bridge - MPB 18/1- 6 - 2748564

<https://www.phoenixcontact.com/pc/products/2748564>



Wiring bridge for modules with connecting pitch 17.5 mm, 1-phase, 6-pos.

# Type 2 surge arrester - VAL-MS 230/FM

2839130

<https://www.phoenixcontact.com/pc/products/2839130>

## Wiring bridge

Wiring bridge - MPB 18/1- 4 - 2809225

<https://www.phoenixcontact.com/pc/products/2809225>



Wiring bridge for modules with connecting pitch 17.5 mm, 1-phase, 4-pos.

---

## Wiring bridge

Wiring bridge - MPB 18/1- 3 - 2809212

<https://www.phoenixcontact.com/pc/products/2809212>



Wiring bridge for modules with connecting pitch 17.5 mm, 1-phase, 3-pos.

# Type 2 surge arrester - VAL-MS 230/FM

2839130

<https://www.phoenixcontact.com/pc/products/2839130>

## Wiring bridge

Wiring bridge - MPB 18/1- 2 - 2809209

<https://www.phoenixcontact.com/pc/products/2809209>



Wiring bridge for modules with connecting pitch 17.5 mm, 1-phase, 2-pos.

---

## Wiring bridge

Wiring bridge - MPB 18/1- 2 - 2809209

<https://www.phoenixcontact.com/pc/products/2809209>



Wiring bridge for modules with connecting pitch 17.5 mm, 1-phase, 2-pos.



# Type 2 surge arrester - VAL-MS 230/FM

2839130

<https://www.phoenixcontact.com/pc/products/2839130>

## Wiring bridge

Wiring bridge - MPB 18/1- 3 - 2809212

<https://www.phoenixcontact.com/pc/products/2809212>



Wiring bridge for modules with connecting pitch 17.5 mm, 1-phase, 3-pos.

---

## Wiring bridge

Wiring bridge - MPB 18/1- 4 - 2809225

<https://www.phoenixcontact.com/pc/products/2809225>



Wiring bridge for modules with connecting pitch 17.5 mm, 1-phase, 4-pos.

# Type 2 surge arrester - VAL-MS 230/FM

2839130

<https://www.phoenixcontact.com/pc/products/2839130>

## Wiring bridge

Wiring bridge - MPB 18/1- 6 - 2748564

<https://www.phoenixcontact.com/pc/products/2748564>



Wiring bridge for modules with connecting pitch 17.5 mm, 1-phase, 6-pos.

---

## Wiring bridge

Wiring bridge - MPB 18/1- 7 BU - 2856278

<https://www.phoenixcontact.com/pc/products/2856278>



Wiring bridge for modules with connecting pitch 17.5 mm, 1-phase, 7-pos., color: Blue

# Type 2 surge arrester - VAL-MS 230/FM

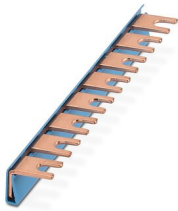
2839130

<https://www.phoenixcontact.com/pc/products/2839130>

## Wiring bridge

Wiring bridge - MPB 18/1- 8 BU - 2858470

<https://www.phoenixcontact.com/pc/products/2858470>



Wiring bridge for modules with connecting pitch 17.5 mm, 1-phase, 8-pos., color: Blue

---

## Wiring bridge

Wiring bridge - MPB 18/1- 8 - 2748577

<https://www.phoenixcontact.com/pc/products/2748577>



Wiring bridge for modules with connecting pitch 17.5 mm, 1-phase, 8-pos.

# Type 2 surge arrester - VAL-MS 230/FM

2839130

<https://www.phoenixcontact.com/pc/products/2839130>

## Wiring bridge

Wiring bridge - MPB 18/1- 9 - 2748580

<https://www.phoenixcontact.com/pc/products/2748580>



Wiring bridge for modules with connecting pitch 17.5 mm, 1-phase, 9-pos.

---

## Wiring bridge

Wiring bridge - MPB 18/1-12 - 2748593

<https://www.phoenixcontact.com/pc/products/2748593>



Wiring bridge for modules with connecting pitch 17.5 mm, 1-phase, 12-pos.

# Type 2 surge arrester - VAL-MS 230/FM

2839130

<https://www.phoenixcontact.com/pc/products/2839130>

## Wiring bridge

Wiring bridge - MPB 18/1-57 - 2809238

<https://www.phoenixcontact.com/pc/products/2809238>



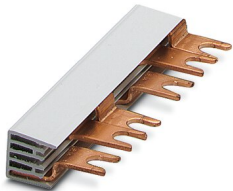
Wiring bridge for modules with connecting pitch 17.5 mm, 1-phase, 57-pos.

---

## Wiring bridge

Wiring bridge - MPB 18/3- 6 - 2809241

<https://www.phoenixcontact.com/pc/products/2809241>



Wiring bridge for modules with connecting pitch 17.5 mm, 3-phase, 6-pos.

# Type 2 surge arrester - VAL-MS 230/FM

2839130

<https://www.phoenixcontact.com/pc/products/2839130>

## Wiring bridge

Wiring bridge - MPB 18/4- 8 - 2809283

<https://www.phoenixcontact.com/pc/products/2809283>



Wiring bridge for modules with connecting pitch 17.5 mm, 4-phase, 8-pos.

---

## Feed-through terminal block

Feed-through terminal block - DK-BIC-35 - 2749880

<https://www.phoenixcontact.com/pc/products/2749880>



Feed-through terminal block for VAL and FLT applications

# Type 2 surge arrester - VAL-MS 230/FM

2839130

<https://www.phoenixcontact.com/pc/products/2839130>



## Marker pen

Marker pen - B-STIFT - 1051993

<https://www.phoenixcontact.com/pc/products/1051993>



Marker pen, for manual labeling of unprinted Zack strips, smear-proof and waterproof, line thickness 0.5 mm

---

## Type 2 surge protection base element

Type 2 surge protection base element - VAL-MS BE/FM - 2817738

<https://www.phoenixcontact.com/pc/products/2817738>



Base element for type 2 arresters of the VALVETRAB MS series of products, with remote indication contact. Design: 1-channel

# Type 2 surge arrester - VAL-MS 230/FM

2839130

<https://www.phoenixcontact.com/pc/products/2839130>

## Zack marker strip

Zack marker strip - ZBN 18:UNBEDRUCKT - 2809128

<https://www.phoenixcontact.com/pc/products/2809128>



Zack marker strip, Strip, white, unlabeled, can be labeled with: CMS-P1-PLOTTER, PLOTMARK, mounting type: snap in, for terminal block width: 18 mm, lettering field size: 18 x 5 mm, Number of individual labels: 5

---

## Marker for terminal blocks

Marker for terminal blocks - ZBN 18,LGS:ERDE - 2749589

<https://www.phoenixcontact.com/pc/products/2749589>



Marker for terminal blocks, Strip, white, labeled, horizontal: Grounding symbol, mounting type: snap into tall marker groove, for terminal block width: 18 mm, lettering field size: 18 x 5 mm, Number of individual labels: 5



# Type 2 surge arrester - VAL-MS 230/FM



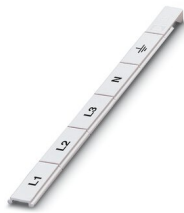
2839130

<https://www.phoenixcontact.com/pc/products/2839130>

## Marker for terminal blocks

Marker for terminal blocks - ZBN 18,LGS:L1-N,ERDE - 2749576

<https://www.phoenixcontact.com/pc/products/2749576>



Marker for terminal blocks, Strip, white, labeled, horizontal: L1, L2, L3, N, GND, mounting type: snap into tall marker groove, for terminal block width: 18 mm, lettering field size: 18 x 5 mm, Number of individual labels: 5

## Type 2 surge protection plug

Type 2 surge protection plug - VAL-MS 230 ST - 2798844

<https://www.phoenixcontact.com/pc/products/2798844>



Surge protection connector type 2 with high-capacity varistor for VAL-MS base element, thermal monitoring, visual fault warning. Design: 230 V AC

Phoenix Contact 2022 © - all rights reserved  
<https://www.phoenixcontact.com>

PHOENIX CONTACT GmbH & Co. KG  
Flachsmarktstraße 8  
D-32825 Blomberg  
+49 (0) 5235-3 00  
[info@phoenixcontact.com](mailto:info@phoenixcontact.com)