

Flange - PTFIX-F

3274060

<https://www.phoenixcontact.com/de/produkte/3274060>



Please be informed that the data shown in this PDF document is generated from our Online Catalog. Please find the complete data in the user documentation. Our General Terms of Use for Downloads are valid.



Flange, with screw-on fixing, length: 28.6 mm, width: 8.6 mm, height: 21.7 mm, color: gray

Your advantages

- Easy marking options

Flange - PTFIX-F

3274060

<https://www.phoenixcontact.com/de/produkte/3274060>



Commercial Data

Item number	3274060
Packing unit	20 pc
Minimum order quantity	20 pc
Sales Key	A1 - Reihenklemmen
Product Key	BEA14Z
Catalog Page	Page 438 (C-1-2019)
GTIN	4055626394152
Weight per Piece (including packing)	2,685 g
Weight per Piece (excluding packing)	2,6 g
Customs tariff number	85389099
Country of origin	PL

Flange - PTFIX-F

3274060

<https://www.phoenixcontact.com/de/produkte/3274060>



Technical Data

Product properties

Product type	Mounting material
--------------	-------------------

Connection data

Tightening torque	0.3 Nm
-------------------	--------

Dimensions

Dimensional drawing	
Width	8.6 mm
Height	21.7 mm
Length	28.6 mm
Hole diameter	5.8 mm

Material specifications

Color	gray
Material	PA
Flammability rating according to UL 94	V0

Environmental and real-life conditions

Ambient conditions

Ambient temperature (operation)	-60 °C ... 105 °C (max. short-term operating temperature RTI Elec.)
Ambient temperature (storage/transport)	-25 °C ... 60 °C (for a short time, not exceeding 24 h, -60 °C to +70 °C)
Ambient temperature (assembly)	-5 °C ... 70 °C
Ambient temperature (actuation)	-5 °C ... 70 °C
Permissible humidity (storage/transport)	30 % ... 70 %

Mounting

Mounting type	Screw mounting
---------------	----------------

Flange - PTFIX-F

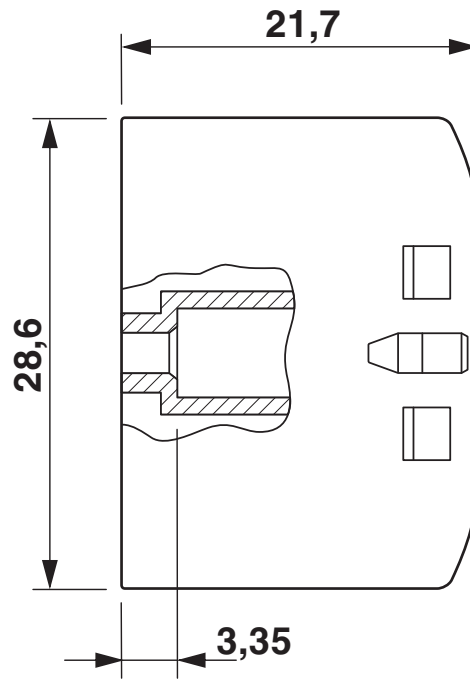
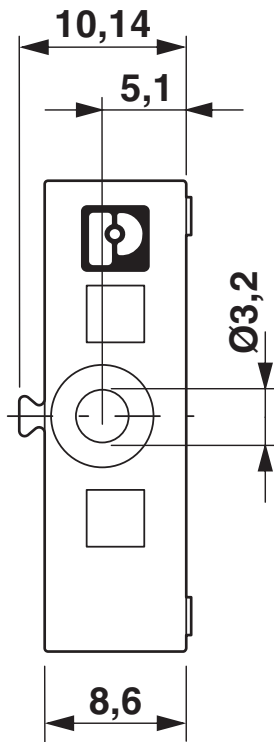
3274060

<https://www.phoenixcontact.com/de/produkte/3274060>



Drawings

Dimensional drawing



Flange - PTFIX-F

3274060

<https://www.phoenixcontact.com/de/produkte/3274060>



Approvals



EAC

Approval ID: RU C-DE.AI30.B.01102

Flange - PTFIX-F

3274060

<https://www.phoenixcontact.com/de/produkte/3274060>



Classifications

ECLASS

ECLASS-9.0	27370419
ECLASS-10.0.1	27141190
ECLASS-11.0	27141190

ETIM

ETIM 8.0	EC002848
----------	----------

UNSPSC

UNSPSC 21.0	39121400
-------------	----------

Flange - PTFIX-F

3274060

<https://www.phoenixcontact.com/de/produkte/3274060>



Environmental Product Compliance

China RoHS

Environmentally friendly use period: unlimited = EFUP-e

No hazardous substances above threshold values

Phoenix Contact 2022 © - all rights reserved

<https://www.phoenixcontact.com>

PHOENIX CONTACT Deutschland GmbH

Flachmarktstraße 8

D-32825 Blomberg

+49 52 35/3-1 20 00

info@phoenixcontact.de