

# Crimp contact - CK1,6-ED-1,00BU AG



1663420

<https://www.phoenixcontact.com/pc/products/1663420>

Please be informed that the data shown in this PDF document is generated from our Online Catalog. Please find the complete data in the user documentation. Our General Terms of Use for Downloads are valid.

---



Crimp contact, contact diameter: 1.6 mm, turned, Socket, contact material: Copper alloy, contact surface: silver-plated, connection cross section: 1 mm<sup>2</sup> ... 1 mm<sup>2</sup>, AWG 18

---

# Crimp contact - CK1,6-ED-1,00BU AG



1663420

<https://www.phoenixcontact.com/pc/products/1663420>

## Commercial Data

Item number	1663420
Packing unit	100 pc
Minimum order quantity	1 pc
Product Key	BF7AIA
Catalog Page	Page 507 (C-2-2019)
GTIN	4017918123239
Weight per Piece (including packing)	0.681 g
Weight per Piece (excluding packing)	0.66 g
Customs tariff number	85366990
Country of origin	DE

# Crimp contact - CK1,6-ED-1,00BU AG



1663420

<https://www.phoenixcontact.com/pc/products/1663420>

## Technical Data

### Product properties

Product type	Crimp contact
Type	Individual female contact
Contact type	turned
Series	HC-M-12
	HC-M-EMV
	HC-D
	HC-DD
	VC-D
	HC-M-03/04
	HC-M-17
	HC-K
	HC-Q
	HC-COM

### Mounting

Assembly instructions	At voltages of < 5 V and currents < 5 mA, gold-plated contacts are recommended. The quality of a crimp connection is determined by DIN EN 60352-2.
-----------------------	---

### Material specifications

Contact material	Copper alloy
Contact surface material	silver-plated

### Notes

General	for HC-M-12, HC-M-17, HC-M-03/04, HC-M-EMV, HC-D, HC-DD, HC-Q, and VC-D contact carriers
---------	--

### Dimensions

#### Mechanical characteristics

Contact diameter	1.6 mm
------------------	--------

### Environmental and real-life conditions

#### Ambient conditions

Ambient temperature (operation)	-40 °C ... 125 °C
---------------------------------	-------------------

# Crimp contact - CK1,6-ED-1,00BU AG

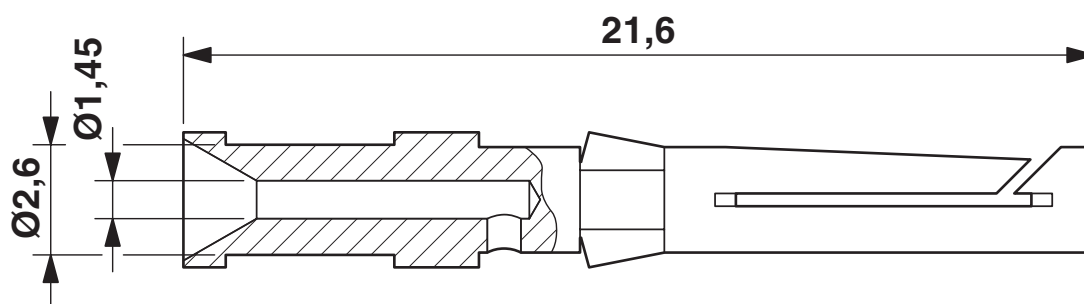


1663420

<https://www.phoenixcontact.com/pc/products/1663420>

## Drawings

Dimensional drawing



# Crimp contact - CK1,6-ED-1,00BU AG



1663420

<https://www.phoenixcontact.com/pc/products/1663420>

## Approvals



**EAC**

Approval ID: RU C-DE.AI30.B.01102



**EAC**

Approval ID: EAC-Zulassung

# Crimp contact - CK1,6-ED-1,00BU AG



1663420

<https://www.phoenixcontact.com/pc/products/1663420>

## Classifications

### ECLASS

ECLASS-9.0	27440204
ECLASS-10.0.1	27440204
ECLASS-11.0	27440204

### ETIM

ETIM 8.0	EC000796
----------	----------

### UNSPSC

UNSPSC 21.0	39121500
-------------	----------

# Crimp contact - CK1,6-ED-1,00BU AG



1663420

<https://www.phoenixcontact.com/pc/products/1663420>

## Environmental Product Compliance

REACH SVHC	Lead 7439-92-1
China RoHS	Environmentally Friendly Use Period = 50 years
	For information on hazardous substances, refer to the manufacturer's declaration available under "Downloads"

# Crimp contact - CK1,6-ED-1,00BU AG

1663420

<https://www.phoenixcontact.com/pc/products/1663420>



## Accessories

### Assembly tool

Assembly tool - UNIFOX MT-CK 1.6/2.5 - 1089092

<https://www.phoenixcontact.com/pc/products/1089092>



Assembly tool, for CK 1.6... crimp contacts for small conductor cross sections

---

### Contact removal tool

Contact removal tool - UNIFOX RT-CK 1.6 - 1072069

<https://www.phoenixcontact.com/pc/products/1072069>



Contact removal tool, for turned and rolled CK- 1.6-... contacts



# Crimp contact - CK1,6-ED-1,00BU AG

1663420

<https://www.phoenixcontact.com/pc/products/1663420>

## Crimp contact

Crimp contact - CK1,6-ED-1,00ST AG - 1663365

<https://www.phoenixcontact.com/pc/products/1663365>



Crimp contact, contact diameter: 1.6 mm, turned, Pin, contact material: Copper alloy, contact surface: silver-plated, connection cross section: 1 mm<sup>2</sup> ... 1 mm<sup>2</sup>, AWG 18

---

## Crimping pliers with digital display

Crimping pliers with digital display - CRIMPFOX-TC MP-6 - 1202888

<https://www.phoenixcontact.com/pc/products/1202888>



Crimping tool, for turned contacts, universal cross-section setting, up to a maximum of 6.0 mm<sup>2</sup>, digital display with 0.01 mm increments, pressure lock can be unlocked, positioning tool necessary as an accessory for contact positioning

# Crimp contact - CK1,6-ED-1,00BU AG

1663420

<https://www.phoenixcontact.com/pc/products/1663420>



## Crimping pliers

Crimping pliers - CRIMPFOX-TC 4 - 1212113

<https://www.phoenixcontact.com/pc/products/1212113>



Crimping pliers, for CK 1,6-ED..., CK 2,5-ED..., CK 4,0-ED... turned contacts, 4 marked die stations, unlockable pressure lock, lateral entry, incl. positioning tool

---

Phoenix Contact 2022 © - all rights reserved

<https://www.phoenixcontact.com>

PHOENIX CONTACT GmbH & Co. KG

Flachsmarktstraße 8

D-32825 Blomberg

+49 (0) 5235-3 00

[info@phoenixcontact.com](mailto:info@phoenixcontact.com)