

Valve connectors - SAC-3P-MS/A-1L-Z SCO



1458525

<https://www.phoenixcontact.com/pc/products/1458525>

Please be informed that the data shown in this PDF document is generated from our Online Catalog. Please find the complete data in the user documentation. Our General Terms of Use for Downloads are valid.



Valve connectors, 3-position, Plug straight M12 SPEEDCON, coding: A, on Valve connector A, with 1 LED, connected with Z diode

Valve connectors - SAC-3P-MS/A-1L-Z SCO



1458525

<https://www.phoenixcontact.com/pc/products/1458525>

Commercial Data

Item number	1458525
Packing unit	1 pc
Minimum order quantity	1 pc
Product Key	BF1GDA
Catalog Page	Page 256 (C-2-2019)
GTIN	4046356638975
Weight per Piece (including packing)	32.4 g
Weight per Piece (excluding packing)	31.9 g
Customs tariff number	85366990
Country of origin	PL

Valve connectors - SAC-3P-MS/A-1L-Z SCO

1458525

<https://www.phoenixcontact.com/pc/products/1458525>

Technical Data

Product properties

Product type	Valve connector adapter
Number of positions	3
No. of cable outlets	1
Coding	A - standard

Insulation characteristics

Overvoltage category	II
Degree of pollution	3

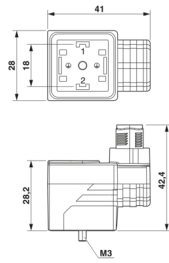
Electrical properties

Contact resistance	$\leq 5 \text{ m}\Omega$
Insulation resistance	$\geq 100 \text{ M}\Omega$
Nominal voltage U_N	24 V AC
	24 V DC
Nominal current I_N	4 A
Protective circuit	Z diode

LED signaling

Status display	Yellow LED
Status display present	yes

Dimensions

Dimensional drawing	
Width	28 mm
Height	42.4 mm
Length	41 mm

Material specifications

Flammability rating according to UL 94	HB
Sealing material	TPU (Seal molded)
Material housing valve plug	TPU
Contact material	CuSn
Contact surface material	Ni/Au
Contact carrier material	PA66

Valve connectors - SAC-3P-MS/A-1L-Z SCO



1458525

<https://www.phoenixcontact.com/pc/products/1458525>

Contact material	CuSn
Valve plug contact insert material	PA 6.6
Contact surface material	Sn
Cable gland material	Zinc die-cast, nickel-plated

Connector

Insertion/withdrawal cycles	50 (valve plug)
	≥ 100 (M12 connector)

Header 1

Head design	Plug
Head cable outlet	straight
Head thread type	M12
Head locking type	SPEEDCON
Coding	A

Head 2

Head design	Valve connector
Head thread type	A
Status indicator head	1 LED

Environmental and real-life conditions

Ambient conditions

Degree of protection	IP65
	IP67
Ambient temperature (operation)	-25 °C ... 85 °C (valve plug)

Standards and regulations

M12

Standards/specifications	IEC 61076-2-101
--------------------------	-----------------

M12

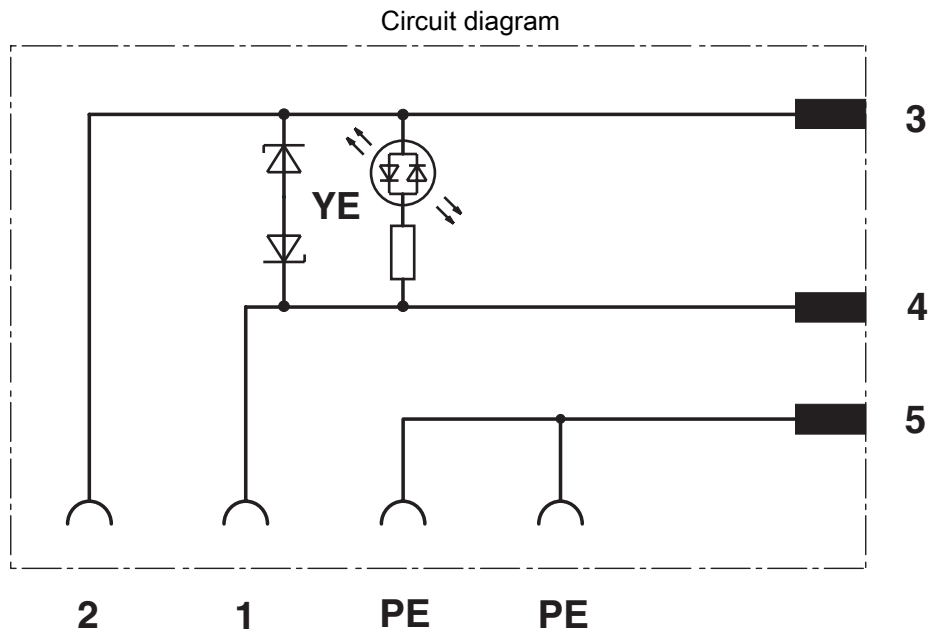
Standards/specifications	EN 175301-803
--------------------------	---------------

Valve connectors - SAC-3P-MS/A-1L-Z SCO

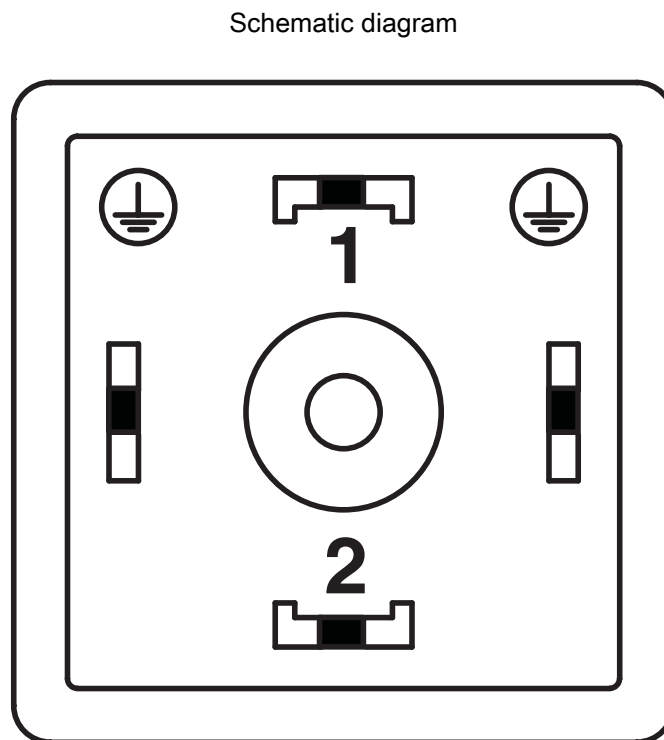
1458525

<https://www.phoenixcontact.com/pc/products/1458525>

Drawings



Contact assignment of the valve plug adapter



Valve connector pin assignment, type A

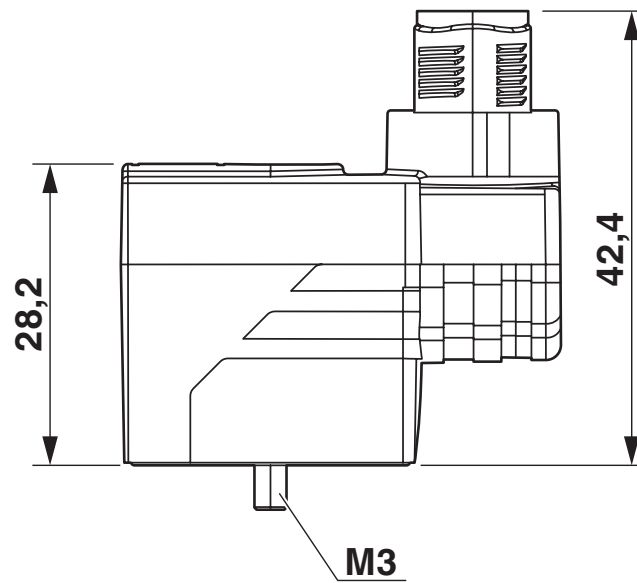
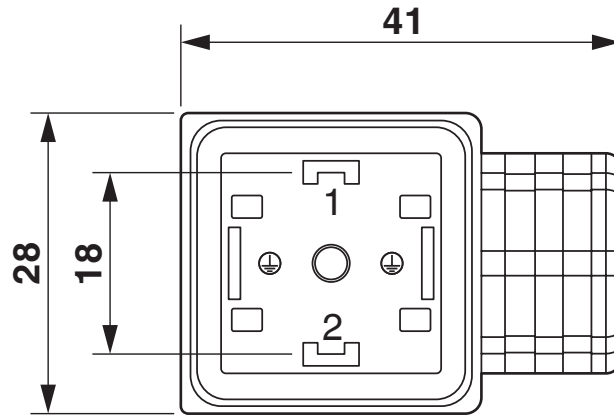
Valve connectors - SAC-3P-MS/A-1L-Z SCO

1458525

<https://www.phoenixcontact.com/pc/products/1458525>



Dimensional drawing



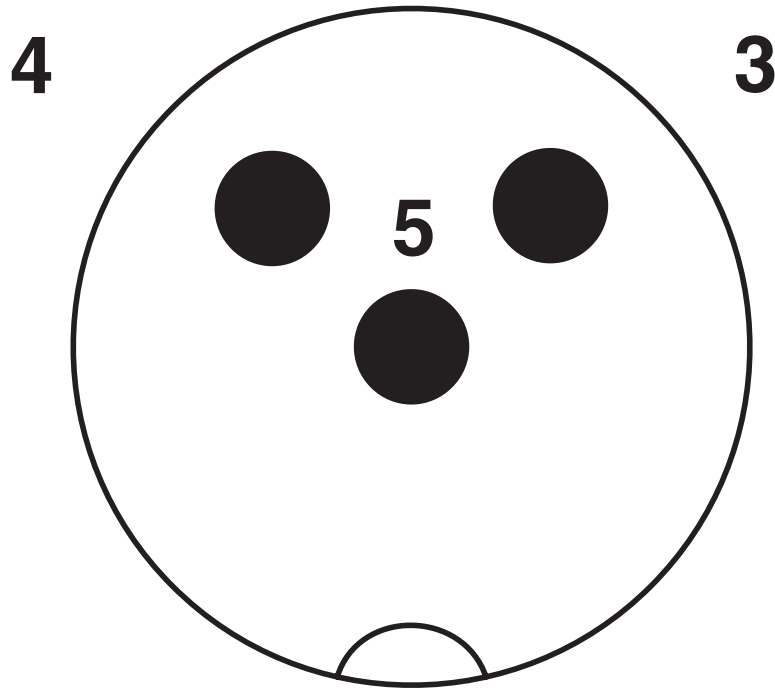
Valve connectors - SAC-3P-MS/A-1L-Z SCO

1458525

<https://www.phoenixcontact.com/pc/products/1458525>



Schematic diagram



Pin assignment M12 plug, 3-pos., A-coded, view male side

Valve connectors - SAC-3P-MS/A-1L-Z SCO



1458525

<https://www.phoenixcontact.com/pc/products/1458525>

Approvals

DNV

Approval ID: TAE00002K4

EAC

EAC

Approval ID: RU C-DE.AI30.B.01102

EAC

EAC

Approval ID: RU C-DE.BL08.B.00511

Valve connectors - SAC-3P-MS/A-1L-Z SCO



1458525

<https://www.phoenixcontact.com/pc/products/1458525>

Classifications

ECLASS

ECLASS-9.0	27440105
ECLASS-10.0.1	27440105
ECLASS-11.0	27440105

ETIM

ETIM 8.0	EC003623
----------	----------

UNSPSC

UNSPSC 21.0	31251500
-------------	----------

Valve connectors - SAC-3P-MS/A-1L-Z SCO



1458525

<https://www.phoenixcontact.com/pc/products/1458525>

Environmental Product Compliance

REACH SVHC	Lead 7439-92-1
China RoHS	Environmentally Friendly Use Period = 50 years
	For information on hazardous substances, refer to the manufacturer's declaration available under "Downloads"

Valve connectors - SAC-3P-MS/A-1L-Z SCO



1458525

<https://www.phoenixcontact.com/pc/products/1458525>

Accessories

Sensor/actuator cable

Sensor/actuator cable - SAC-3P-M12MS/3,0-PUR/M12FS 345 - 1402560

<https://www.phoenixcontact.com/pc/products/1402560>



Sensor/actuator cable, 3-position, PUR halogen-free, black-gray RAL 7021, Plug straight M12, coding: A, on Socket straight M12, coding: A, cable length: 3 m, For valve connector

Sensor/actuator cable

Sensor/actuator cable - SAC-3P-M12MS/5,0-PUR/M12FS 345 - 1402561

<https://www.phoenixcontact.com/pc/products/1402561>



Sensor/actuator cable, 3-position, PUR halogen-free, black-gray RAL 7021, Plug straight M12, coding: A, on Socket straight M12, coding: A, cable length: 5 m, For valve connector

Valve connectors - SAC-3P-MS/A-1L-Z SCO

1458525

<https://www.phoenixcontact.com/pc/products/1458525>

Sensor/actuator cable

Sensor/actuator cable - SAC-3P-M12MS/10,0-PUR/M12FS 345 - 1402562

<https://www.phoenixcontact.com/pc/products/1402562>



Sensor/actuator cable, 3-position, PUR halogen-free, black-gray RAL 7021, Plug straight M12, coding: A, on Socket straight M12, coding: A, cable length: 10 m, For valve connector

Screw insert

Screw insert - SF-BIT-PH 1-70 - 1212582

<https://www.phoenixcontact.com/pc/products/1212582>



Screw bit, PH crosshead, E6.3-1/4" drive, size: PH 1 x 70 mm, hardened, suitable for holder according to DIN 3126-F6.3/ISO 1173

Valve connectors - SAC-3P-MS/A-1L-Z SCO



1458525

<https://www.phoenixcontact.com/pc/products/1458525>

Torque screwdriver

Torque screwdriver - TSD-M 1,2NM - 1212224

<https://www.phoenixcontact.com/pc/products/1212224>



Torque screw driver, accuracy as per EN ISO 6789 standard, adjustable from 0.3 - 1.2 Nm

Connecting cable

Connecting cable - SAC-3P-FS SCO V/.../... - 1406702

<https://www.phoenixcontact.com/pc/products/1406702>



Connecting cable, 3-position, Variable cable type, free cable end, on Socket straight M12 SPEEDCON, coding: A, cable length: Free input (0.2 ... 40.0 m), for valve plug adapters

Phoenix Contact 2022 © - all rights reserved
<https://www.phoenixcontact.com>

PHOENIX CONTACT GmbH & Co. KG
Flachsmarktstraße 8
D-32825 Blomberg
+49 (0) 5235-3 00
info@phoenixcontact.com