

Ring cable lug - C-RCI 2,5/M4

3240023

<https://www.phoenixcontact.com/pc/products/3240023>



Please be informed that the data shown in this PDF document is generated from our Online Catalog. Please find the complete data in the user documentation. Our General Terms of Use for Downloads are valid.



Ring cable lug, blue, 1.5 ... 2.5 mm², M4

Your advantages

- The sleeves are conically tapered to facilitate easy and correct insertion of the conductor
- The insulated ring cable lugs with plastic sleeve are hard-soldered and feature the 'EASY ENTRY' system

Ring cable lug - C-RCI 2,5/M4

3240023

<https://www.phoenixcontact.com/pc/products/3240023>



Commercial Data

| | |
|--------------------------------------|---------------------|
| Item number | 3240023 |
| Packing unit | 100 pc |
| Minimum order quantity | 1 pc |
| Product Key | BH3421 |
| Catalog Page | Page 492 (C-3-2019) |
| GTIN | 4046356452007 |
| Weight per Piece (including packing) | 0.955 g |
| Weight per Piece (excluding packing) | 0.955 g |
| Customs tariff number | 85369010 |
| Country of origin | CN |

Ring cable lug - C-RCI 2,5/M4

3240023

<https://www.phoenixcontact.com/pc/products/3240023>

Technical Data

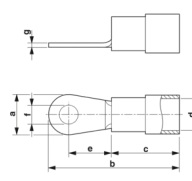
Product properties

| | |
|--------------|-----------|
| Product type | Connector |
|--------------|-----------|

Electrical properties

| | |
|------|-----|
| Fuse | yes |
|------|-----|

Dimensions

| | |
|--|--|
| Dimensional drawing |  |
| Width | 8.5 mm |
| Length | 23 mm |
| Length of the insulating material sleeve | 11 mm |
| Maximum stripping length | 8 mm |
| Distance from the center to the insulating material sleeve | 7.8 mm |
| Min. material thickness | 0.8 mm |
| Inner dimensions of the insulating collar | 4.5 mm |

Internal dimensions

| | |
|-------------------|--------|
| Internal diameter | 4.3 mm |
|-------------------|--------|

Material specifications

| | |
|--|--------------|
| Color | blue |
| Material | Copper |
| Flammability rating according to UL 94 | V2 |
| Coating | tin-plated |
| Insulating material | PA |
| Components | halogen-free |

Connector

| | |
|----------|--------|
| Material | Copper |
| Material | Copper |

Environmental and real-life conditions

Ambient conditions

| | |
|---|---|
| Optimum ambient temperature (storage/transport) | 20 °C 50 % Humidity (RH), store inside sealed original packaging. Avoid direct sunlight and heat. |
| Ambient temperature (operation) | -20 °C ... 105 °C |
| Ambient temperature (assembly) | -20 °C ... 100 °C |

Ring cable lug - C-RCI 2,5/M4



3240023

<https://www.phoenixcontact.com/pc/products/3240023>

| | |
|------------------------|--------|
| Short-term temperature | 100 °C |
|------------------------|--------|

Standards and regulations

| | |
|------------------------------|--------------|
| Design according to standard | JIS, UL, CSA |
|------------------------------|--------------|

Ring cable lug - C-RCI 2,5/M4

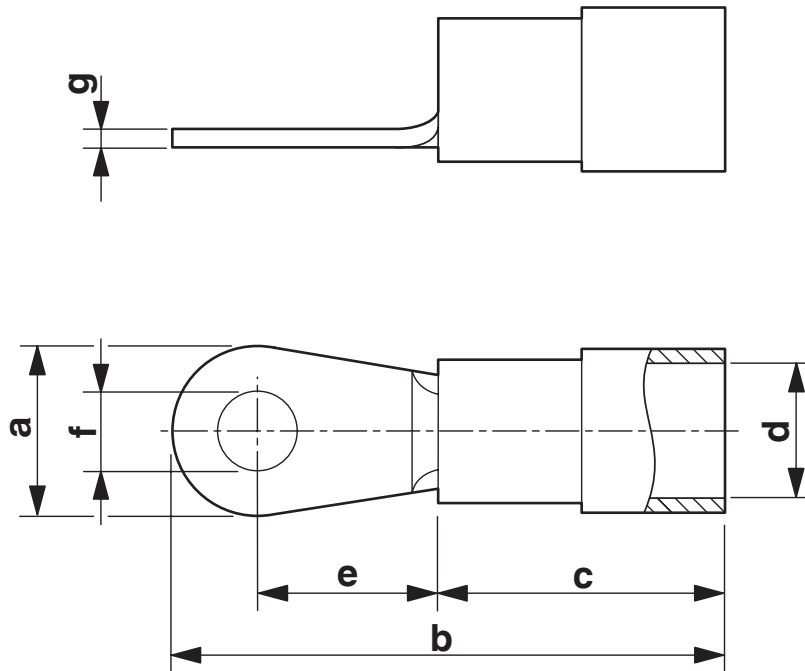
3240023

<https://www.phoenixcontact.com/pc/products/3240023>



Drawings

Dimensional drawing



Ring cable lug - C-RCI 2,5/M4



3240023

<https://www.phoenixcontact.com/pc/products/3240023>

Classifications

ECLASS

| | |
|---------------|----------|
| ECLASS-9.0 | 27400204 |
| ECLASS-10.0.1 | 27400204 |
| ECLASS-11.0 | 27400204 |

ETIM

| | |
|----------|----------|
| ETIM 8.0 | EC001052 |
|----------|----------|

UNSPSC

| | |
|-------------|----------|
| UNSPSC 21.0 | 27121700 |
|-------------|----------|

Ring cable lug - C-RCI 2,5/M4

3240023

<https://www.phoenixcontact.com/pc/products/3240023>



Environmental Product Compliance

China RoHS

Environmentally friendly use period: unlimited = EFUP-e

No hazardous substances above threshold values

Phoenix Contact 2022 © - all rights reserved

<https://www.phoenixcontact.com>

PHOENIX CONTACT GmbH & Co. KG

Flachmarktstraße 8

D-32825 Blomberg

+49 (0) 5235-3 00

info@phoenixcontact.com