

Power supply unit - TRIO-PS-2G/1AC/48DC/10



2903160

<https://www.phoenixcontact.com/pc/products/2903160>

Please be informed that the data shown in this PDF document is generated from our Online Catalog. Please find the complete data in the user documentation. Our General Terms of Use for Downloads are valid.



Primary-switched TRIO POWER power supply with push-in connection for DIN rail mounting, input: single phase, output: 48 V DC/10 A

Product Description

TRIO POWER power supplies with standard functionality

The TRIO POWER power supply range with push-in connection has been perfected for use in machine building. All functions and the space-saving design of the single and three-phase modules are optimally tailored to the stringent requirements. Under challenging ambient conditions, the power supply units, which feature an extremely robust electrical and mechanical design, ensure the reliable supply of all loads.

Your advantages

- Save time and costs, thanks to the Push-in connection and narrow design
- Increase system availability, thanks to dynamic boost with 150% of the nominal current for five seconds
- Maximum flexibility due to the wide temperature range from -25°C to +70°C and device startup at -40°C
- Electrically robust, thanks to high electric strength
- Mechanically robust, thanks to high vibration and shock resistance

Power supply unit - TRIO-PS-2G/1AC/48DC/10



2903160

<https://www.phoenixcontact.com/pc/products/2903160>

Commercial Data

Item number	2903160
Packing unit	1 pc
Minimum order quantity	1 pc
Product Key	CMPO14
Catalog Page	Page 261 (C-4-2019)
GTIN	4055626255415
Weight per Piece (including packing)	1,603 g
Weight per Piece (excluding packing)	1,603 g
Customs tariff number	85044030
Country of origin	CN

Technical Data

Input data

AC operation

Network type	Star network
Nominal input voltage range	100 V AC ... 240 V AC
Input voltage range	100 V AC ... 240 V AC -15 % ... +10 %
Electric strength, max.	≤ 300 V AC 15 s
Typical national grid voltage	120 V AC
	230 V AC
Voltage type of supply voltage	AC/DC
Inrush current	20 A (at 25 °C)
Inrush current integral (I^2t)	< 0.7 A ² s
Inrush current limitation	typ. 20 A (after 1 ms)
AC frequency range	50 Hz ... 60 Hz ±10 %
Mains buffering time	typ. 10 ms (120 V AC)
	typ. 15 ms (230 V AC)
Current consumption	5.6 A (100 V AC)
	5.4 A (120 V AC)
	2.6 A (230 V AC)
	2.4 A (240 V AC)
Nominal power consumption	604.7 VA
Protective circuit	Transient surge protection; Varistor
Power factor (cos phi)	0.85
Typical response time	< 1 s
Input fuse	10 A (internal (device protection))
Recommended breaker for input protection	10 A ... 16 A (Characteristics B, C, D, K)
Discharge current to PE	< 3.5 mA

DC operation

Nominal input voltage range	110 V DC ... 250 V DC
Input voltage range	99 V DC ... 275 V DC
Switch-on voltage	≥ 93 V DC
Shut-down voltage	< 85 V DC
Voltage type of supply voltage	AC/DC
Mains buffering time	> 20 ms (230 V AC)
Current consumption	5 A (110 V DC)
	2.2 A (250 V DC)

Output data

Efficiency	> 93 % (for 230 V AC and nominal values)
Output characteristic	U/I with dynamic load reserve
Nominal output voltage	48 V DC ±1 %

Power supply unit - TRIO-PS-2G/1AC/48DC/10



2903160

<https://www.phoenixcontact.com/pc/products/2903160>

Setting range of the output voltage (U_{Set})	36 V DC ... 55 V DC (> 48 V DC, constant capacity restricted)
Nominal output current (I_N)	10 A
Dynamic Boost ($I_{Dyn.Boost}$)	15 A (5 s)
Derating	> 60 °C ... 70 °C (2.5%/K)
Feedback voltage resistance	≤ 60 V DC
Protection against overvoltage at the output (OVP)	≤ 60 V DC
Control deviation	< 1 % (change in load, static 10 % ... 90 %) < 3 % (Dynamic load change 10 % ... 90 %, 10 Hz) < 0.1 % (change in input voltage ±10 %)
Residual ripple	< 50 mV _{PP} (with nominal values)
Short-circuit-proof	yes
No-load proof	yes
Output power	480 W 720 W
Peak switching voltages nominal load	< 1000 mV _{PP}
Maximum no-load power dissipation	< 5.7 W (230 V)
Power loss nominal load max.	< 44 W
Rise time	≤ 30 ms (U_{OUT} (10 % ... 90 %))
Connection in parallel	yes, for redundancy and increased capacity
Connection in series	yes

Signal: DC OK

Maximum switching voltage	30 V AC/DC
Continuous load current	100 mA

Connection data

Input

Connection method	Push-in connection
Conductor cross section solid min.	0.2 mm ²
Conductor cross section solid max.	4 mm ²
Conductor cross section flexible min.	0.2 mm ²
Conductor cross section flexible max.	2.5 mm ²
Conductor cross section AWG min.	24
Conductor cross section AWG max.	12
Stripping length	10 mm

Output

Connection method	Push-in connection
Conductor cross section solid min.	0.2 mm ²
Conductor cross section solid max.	10 mm ²
Conductor cross section flexible min.	0.2 mm ²
Conductor cross section flexible max.	6 mm ²
Conductor cross section AWG min.	24
Conductor cross section AWG max.	8

Power supply unit - TRIO-PS-2G/1AC/48DC/10



2903160

<https://www.phoenixcontact.com/pc/products/2903160>

Stripping length	15 mm
------------------	-------

Signal

Connection method	Push-in connection
Conductor cross section solid min.	0.2 mm ²
Conductor cross section solid max.	1.5 mm ²
Conductor cross section flexible min.	0.2 mm ²
Conductor cross section flexible max.	1.5 mm ²
Conductor cross section AWG min.	24
Conductor cross section AWG max.	16
Stripping length	8 mm

LED signaling

Types of signaling	LED
	Floating signal contact

Signal output: LED status indicator

Signalization designation	DC OK
Status display	"DC OK" LED
Color	green

Electrical properties

Number of phases	1.00
Insulation voltage input/output	3 kV AC
	1.5 kV AC

Product properties

Product type	Power supply
MTBF (IEC 61709, SN 29500)	> 1800000 h (25 °C)
	> 800000 h (40 °C)
	> 480000 h (60 °C)

Insulation characteristics

Protection class	I (in closed control cabinet)
Degree of pollution	2

Dimensions

Width	68 mm
Height	130 mm
Depth	160 mm

Installation dimensions

Installation distance right/left	0 mm / 0 mm
Installation distance top/bottom	50 mm / 50 mm

Mounting

Power supply unit - TRIO-PS-2G/1AC/48DC/10



2903160

<https://www.phoenixcontact.com/pc/products/2903160>

Mounting type	DIN rail mounting
Assembly instructions	alignable: horizontally 0 mm ($\leq 40\text{ }^{\circ}\text{C}$) 10 mm ($\leq 70\text{ }^{\circ}\text{C}$), vertically 50 mm
Mounting position	horizontal DIN rail NS 35, EN 60715
With protective coating	No

Material specifications

Inflammability class in acc. with UL 94 (housing / terminal blocks)	V0
Housing material	Metal
Type of housing	Aluminum (AlMg3)
Hood version	Polycarbonate

Environmental and real-life conditions

Ambient conditions

Degree of protection	IP20
Ambient temperature (operation)	-25 °C ... 70 °C (> 60 °C Derating: 2,5 %/K)
Ambient temperature (storage/transport)	-40 °C ... 85 °C
Ambient temperature (start-up type tested)	-40 °C
Maximum altitude	$\leq 5000\text{ m}$ (> 2000 m, Derating: 10 %/1000 m)
Climatic class	3K3 (in acc. with EN 60721)
Max. permissible relative humidity (operation)	$\leq 95\%$ (at 25 °C, non-condensing)
Shock	18 ms, 30g, in each space direction (according to IEC 60068-2-27)
Vibration (operation)	< 15 Hz, amplitude $\pm 2.5\text{ mm}$ (according to IEC 60068-2-6) 15 Hz ... 150 Hz, 4g, 90 min.

Standards and regulations

Rail applications	EN 50121-4
Standard – Electronic equipment for use in electrical power installations and their assembly into electrical power installations	EN 50178/VDE 0160 (PELV)
Standard – Limitation of mains harmonic currents	EN 61000-3-2
Standard - Electrical safety	IEC 62368-1 (SELV)
Standard – Safety extra-low voltage	IEC 60950-1 (SELV) and EN 60204-1 (PELV)
Standard - Safe isolation	DIN VDE 0100-410
Standard - Safety of transformers	EN 61558-2-16 (air clearances and creepage distances only)

Approval data

UL approvals	UL Listed UL 508 UL/C-UL Recognized UL 60950-1
--------------	---

Conformity/Approvals

SIL in accordance with IEC 61508	0
----------------------------------	---

EMC data

Low Voltage Directive	Conformance with Low Voltage Directive 2014/35/EC
-----------------------	---

Power supply unit - TRIO-PS-2G/1AC/48DC/10



2903160

<https://www.phoenixcontact.com/pc/products/2903160>

Electromagnetic compatibility	Conformance with EMC Directive 2014/30/EU
EMC requirements for noise emission	EN 61000-6-3
	EN 61000-6-4
EMC requirements for noise immunity	EN 61000-6-1
	EN 61000-6-2
Noise emission	EN 55011 (EN 55022)
Noise immunity	EN 61000-6-2:2005

Electrostatic discharge

Standards/regulations	EN 61000-4-2
-----------------------	--------------

Electrostatic discharge

Contact discharge	6 kV (Test Level 4)
Discharge in air	8 kV (Test Level 4)
Comments	Criterion A

Electromagnetic HF field

Standards/regulations	EN 61000-4-3
-----------------------	--------------

Electromagnetic HF field

Frequency range	80 MHz ... 1 GHz
Test field strength	10 V/m (Test Level 3)
Frequency range	1 GHz ... 2 GHz
Test field strength	10 V/m (Test Level 3)
Frequency range	2 GHz ... 3 GHz
Test field strength	10 V/m (Test Level 3)
Comments	Criterion A

Fast transients (burst)

Standards/regulations	EN 61000-4-4
-----------------------	--------------

Fast transients (burst)

Input	4 kV (Test Level 4 - asymmetrical)
Output	2 kV (Test Level 3 - asymmetrical)
Signal	1 kV (Test Level 2 - asymmetrical)
Comments	Criterion A

Surge voltage load (surge)

Standards/regulations	EN 61000-4-5
Input	3 kV (Test Level 3 - symmetrical)
	6 kV (Test Level 4 - asymmetrical)
Output	1 kV (Test Level 2 - symmetrical)
	2 kV (Test Level 1 - asymmetrical)
Signal	1 kV (Test Level 2 - asymmetrical)
Comments	Criterion B

Conducted interference

Standards/regulations	EN 61000-4-6
-----------------------	--------------

Power supply unit - TRIO-PS-2G/1AC/48DC/10



2903160

<https://www.phoenixcontact.com/pc/products/2903160>

Conducted interference

I/O/S	asymmetrical
Frequency range	0.15 MHz ... 80 MHz
Comments	Criterion A
Voltage	10 V (Test Level 3)

Emitted interference

Standards/regulations	EN 61000-6-3
Radio interference voltage in acc. with EN 55011	EN 55011 (EN 55022) Class B, area of application: Industry and residential
Emitted radio interference in acc. with EN 55011	EN 55011 (EN 55022) Class B, area of application: Industry and residential
Criterion A	Normal operating behavior within the specified limits.
Criterion B	Temporary impairment to operational behavior that is corrected by the device itself.

Power supply unit - TRIO-PS-2G/1AC/48DC/10

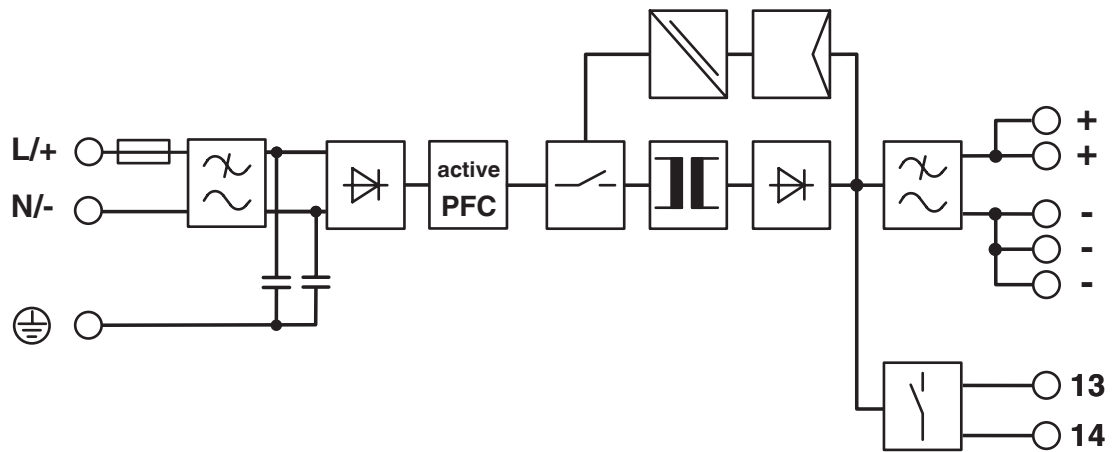


2903160

<https://www.phoenixcontact.com/pc/products/2903160>

Drawings

Block diagram



Power supply unit - TRIO-PS-2G/1AC/48DC/10



2903160

<https://www.phoenixcontact.com/pc/products/2903160>

Approvals



cUL Recognized
Approval ID: FILE E 211944



UL Recognized
Approval ID: FILE E 211944



EAC
Approval ID: RU S-DE.BL08.W.00764



EAC
Approval ID: RU S-DE.BL08.W.00764



UL Listed
Approval ID: FILE E 123528



cUL Listed
Approval ID: FILE E 123528



cUL Listed
Approval ID: FILE E 199827



UL Listed
Approval ID: FILE E 199827

cULus Recognized

cULus Listed

cULus Listed

Power supply unit - TRIO-PS-2G/1AC/48DC/10



2903160

<https://www.phoenixcontact.com/pc/products/2903160>

Classifications

ECLASS

ECLASS-9.0	27040701
ECLASS-10.0.1	27040701
ECLASS-11.0	27040701

ETIM

ETIM 8.0	EC002540
----------	----------

UNSPSC

UNSPSC 21.0	39121000
-------------	----------

Power supply unit - TRIO-PS-2G/1AC/48DC/10



2903160

<https://www.phoenixcontact.com/pc/products/2903160>

Environmental Product Compliance

REACH SVHC	Lead 7439-92-1
China RoHS	Environmentally Friendly Use Period = 25;
	For information on hazardous substances, refer to the manufacturer's declaration available under "Downloads"

Power supply unit - TRIO-PS-2G/1AC/48DC/10



2903160

<https://www.phoenixcontact.com/pc/products/2903160>

Accessories

Redundancy module

Redundancy module - TRIO-DIODE/48DC/2X10/1X20 - 2866527

<https://www.phoenixcontact.com/pc/products/2866527>



Redundancy module with function monitoring, 48 V DC, 2x 10 A, 1x 20 A

Type 3 surge protection device

Type 3 surge protection device - PLT-SEC-T3-230-FM-PT - 2907928

<https://www.phoenixcontact.com/pc/products/2907928>



Type 2/3 surge protection, consisting of protective plug and base element with Push-in connection. For single-phase power supply network with integrated status indicator and remote signaling. Nominal voltage: 230 V AC/DC

Power supply unit - TRIO-PS-2G/1AC/48DC/10



2903160

<https://www.phoenixcontact.com/pc/products/2903160>

Type 3 surge protection device

Type 3 surge protection device - PLT-SEC-T3-60-FM-PT - 2907926

<https://www.phoenixcontact.com/pc/products/2907926>



Type 3 surge protection, consisting of protective plug and base element, with integrated status indicator and remote signaling for single-phase power supply networks. Nominal voltage: 60 V AC/DC

Potential distributors

Potential distributors - VIP-2/SC/PDM-2/24 - 2315269

<https://www.phoenixcontact.com/pc/products/2315269>



VARIOFACE module, with two equipotential busbars (P1, P2) for potential distribution, for mounting on NS 35 rails. Module width: 70.4 mm

Power supply unit - TRIO-PS-2G/1AC/48DC/10



2903160

<https://www.phoenixcontact.com/pc/products/2903160>

Potential distributors

Potential distributors - VIP-3/PT/PDM-2/24 - 2903798

<https://www.phoenixcontact.com/pc/products/2903798>



VARIOFACE module with push-in connection and two equipotential busbars (P1, P2) for potential distribution, for mounting on NS 35 rails. Module width: 57.1 mm

Phoenix Contact 2022 © - all rights reserved

<https://www.phoenixcontact.com>

PHOENIX CONTACT GmbH & Co. KG

Flachsmarktstraße 8

D-32825 Blomberg

+49 (0) 5235-3 00

info@phoenixcontact.com