

Uninterruptible power supply - QUINT4-UPS/24DC/24DC/40



2907077

<https://www.phoenixcontact.com/pc/products/2907077>

Please be informed that the data shown in this PDF document is generated from our Online Catalog. Please find the complete data in the user documentation. Our General Terms of Use for Downloads are valid.



QUINT UPS with IQ Technology, for DIN rail mounting, input: 24 V DC, output: 24 V DC / 40 A, charging current: 5 A

Product Description

The intelligent QUINT UPS for integration into established industrial networks: your systems continue to be supplied with uninterrupted power, even in the event of a mains failure. The battery management system with IQ Technology and a powerful battery charger ensures superior system availability.

Your advantages

- Easy integration into networks using PROFINET, EtherNet/IP, EtherCAT[®] and USB interfaces
- Evaluation of state of health (SOH) and state of charge (SOC), thanks to the intelligent battery management system (BMS)
- Automatic recognition of the battery capacities and technologies (VRLA-WTR, LI-ION)
- Monitoring of output current and voltage, as well as manual connection and disconnection of the system
- SFB Technology selectively trips standard miniature circuit breakers. Loads connected in parallel continue working.

Uninterruptible power supply - QUINT4-UPS/24DC/24DC/40



2907077

<https://www.phoenixcontact.com/pc/products/2907077>

Commercial Data

| | |
|--------------------------------------|---------------------|
| Item number | 2907077 |
| Packing unit | 1 pc |
| Minimum order quantity | 1 pc |
| Product Key | CMUI43 |
| Catalog Page | Page 325 (C-4-2019) |
| GTIN | 4055626170053 |
| Weight per Piece (including packing) | 733 g |
| Weight per Piece (excluding packing) | 733 g |
| Customs tariff number | 85371091 |
| Country of origin | CN |

Uninterruptible power supply - QUINT4-UPS/24DC/24DC/40



2907077

<https://www.phoenixcontact.com/pc/products/2907077>

Technical Data

Input data

| | |
|---|---|
| Input voltage | 24 V DC |
| Input voltage range | 18 V DC ... 30 V DC |
| Electric strength, max. | 35 V DC (Protected against polarity reversal) |
| Internal input fuse | no |
| Typical national grid voltage | 24 V DC |
| Voltage type of supply voltage | DC |
| Inrush current | ≤ 9 A (≤ 4 ms) |
| Reverse polarity protection | yes |
| Fixed backup threshold | 22 V DC 30 V DC |
| Dynamic activation threshold | > 1 V / 100 ms |
| Switch-on time | max. 3 s |
| Switch-on time during battery operation (Bat.-Start) | 8 s |
| Voltage drop, input/output | 0.5 V DC |
| Current consumption I_N (U_N , $I_{OUT} = I_N$, $I_{charge} = 0$) | 40.1 A |
| Current consumption I_{max} (U_N , $I_{OUT} = I_{Stat.Boost}$, $I_{charge} = max$) | 51.2 A |
| Current consumption $I_{No-Load}$ (U_N , $I_{OUT} = 0$, $I_{charge} = 0$) | 50 mA |
| Current consumption I_{charge} (U_N , $I_{OUT} = 0$, $I_{charge} = max$) | 6.1 A |
| Power consumption P_N (U_N , $I_{OUT} = I_N$, $I_{charge} = 0$) | 965 W |
| Power consumption P_{max} (U_N , $I_{OUT} = I_{Stat.Boost}$, $I_{charge} = max$) | 1120 W |
| Power consumption $P_{No-Load}$ (U_N , $I_{OUT} = 0$, $I_{charge} = 0$) | 1.3 W |
| Power consumption P_{charge} (U_N , $I_{OUT} = 0$, $I_{charge} = max$) | 147 W |

Signal state Bat.-Start

| | |
|---------------------------|--|
| Connection labeling | 3.8 (+) |
| Channel | DI (digital input) |
| State | Bat.-Mode |
| State condition | Low level (30 ms) |
| Signal - state assignment | low - active |
| Reference potential | 3.9 (SGnd, identical to 1.2, 2.2, 4.2) |
| LED status indicator | Yellow (Bat.-Mode) |

Signal state PS Boost

| | |
|---------------------------|---|
| Connection labeling | 3.7 (+) |
| Channel (configurable) | DI (digital input) default, AI (analog input) |
| State (configurable) | Charging current reduced |
| State condition | Low level |
| Signal - state assignment | low - active |
| Unit signal | I (mA) |
| Reference potential | 3.9 (SGnd, identical to 1.2, 2.2, 4.2) |

Uninterruptible power supply - QUINT4-UPS/24DC/24DC/40



2907077

<https://www.phoenixcontact.com/pc/products/2907077>

Signal state Remote

| | |
|---------------------------|--|
| Connection labeling | 3.6 (+) |
| Channel | DI (digital input) |
| State (configurable) | Disconnection |
| State condition | Low level |
| Signal - state assignment | low - active |
| Reference potential | 3.9 (SGnd, identical to 1.2, 2.2, 4.2) |
| LED status indicator | Green, flashing (DC OK) |

Output data

| | |
|--|---|
| Efficiency | typ. 98 % |
| Number of outputs | 1 |
| Short-circuit-proof | yes |
| No-load proof | yes |
| Switch-over time | 0 ms |
| Output current limit | In mains mode according to connected upstream current limiting device > 45 A (Battery operation) |
| Power dissipation | 2.8 W (Mains operation) |
| | 13 W (Mains operation) |
| | 3.51 W (Battery operation) |
| | 16.4 W (Battery operation) |
| UPS connection in series | no |
| Energy storage device connection in parallel | Yes, 5 (observe line protection) |
| Energy storage device connection in series | no |

Mains operation

| | |
|--|---|
| Output voltage | 24 V DC ($U_{OUT} = U_{IN} - 0.5 \text{ V DC}$) |
| Output voltage range | 18 V DC ... 30 V DC |
| | 18 V DC ... 32 V DC |
| Output current I_N | 40 A |
| Static Boost ($I_{Stat.Boost}$) | 45 A |
| Dynamic Boost ($I_{Dyn.Boost}$) | 60 A (5 s) |
| Selective Fuse Breaking (I_{SFB}) | 215 A (15 ms) |
| Output power P_{OUT} ($U_N, I_{OUT} = I_N$) | 960 W |
| Output power P_{OUT} ($U_N, I_{OUT} = I_{stat.Boost}$) | 1080 W |

Battery operation

| | |
|---|--|
| Output voltage | 24 V DC ($U_{OUT} = U_{BAT} - 0.5 \text{ V DC}$) |
| Output voltage range | 19 V DC ... 32 V DC |
| Output current I_N | 40 A |
| Static Boost ($I_{Stat.Boost}$) | 45 A |
| Dynamic Boost ($I_{Dyn.Boost}$) | 60 A (5 s) |
| Selective Fuse Breaking (I_{SFB}) | 215 A (15 ms) |
| Output power P_{OUT} ($U_N, I_{OUT} = I_N$) | 960 W |

Uninterruptible power supply - QUINT4-UPS/24DC/24DC/40



2907077

<https://www.phoenixcontact.com/pc/products/2907077>

| | |
|---|--------|
| Output power P_{OUT} (U_N , $I_{OUT} = I_{stat.Boost}$) | 1080 W |
|---|--------|

Signal supply 24 V DC, 20 mA, SGnd

| | |
|---------------------|--|
| Connection labeling | 3.1 (+), 3.9 (SGnd) |
| Reference potential | 3.9 (SGnd, identical to 1.2, 2.2, 4.2) |

Signal state Alarm

| | |
|--------------------------------|----------------------|
| Connection labeling | 3.2, 3.3 |
| Channel | DO (digital output) |
| Switching voltage | max. 30 V AC/DC |
| Switch contact (floating) | OptoMOS |
| State (configurable) | Group alarm |
| State condition (configurable) | Alarm threshold |
| Current carrying capacity | max. 100 mA |
| State - signal assignment | NC (Normally Closed) |
| LED status indicator | red (Alarm) |

Signal state Bat. mode

| | |
|--------------------------------|--|
| Connection labeling | 3.4 (+) |
| Channel | DO (digital output) |
| Semiconductor output | MOSFET |
| State (configurable) | Bat.-Mode |
| State condition (configurable) | $U_{IN} < 18$ V DC, $U_{IN} > 30$ V DC, Bat.-Start |
| State - signal assignment | active - high |
| Reference potential | 3.9 (SGnd, identical to 1.2, 2.2, 4.2) |
| LED status indicator | Yellow (Bat.-Mode) |

Signal state Ready

| | |
|--------------------------------|--|
| Connection labeling | 3.5 (+) |
| Channel | DO (digital output) |
| Semiconductor output | MOSFET |
| State (configurable) | Ready |
| State condition (configurable) | SOC = 100 % |
| State - signal assignment | active - high |
| Reference potential | 3.9 (SGnd, identical to 1.2, 2.2, 4.2) |
| LED status indicator | Green (state of charge - SOC) |

Energy storage

| | |
|---|---------------------|
| Nominal voltage U_N | 24 V DC |
| End-of-charge voltage (temperature-compensated) | 25 V DC ... 32 V DC |
| End-of-charge voltage (configurable) | 27.6 V DC |
| Charging current (configurable) | max. 5 A |
| Nominal capacity (without additional charger) | 7 Ah ... 135 Ah |
| Max. capacity | 135 Ah |
| Charging time | 500 min. (38 Ah) |
| Buffer time | 33 min. (38 Ah) |

Uninterruptible power supply - QUINT4-UPS/24DC/24DC/40



2907077

<https://www.phoenixcontact.com/pc/products/2907077>

| | |
|--|------------------------|
| Deep discharge protection (configurable) | 19.2 V DC |
| Battery technology | VRLA, VRLA-WTR, LI-ION |
| Charge characteristic curve | IU ₀ U |
| IQ-Technology | yes |
| Temperature sensor | yes |
| Temperature compensation (configurable) | 42 mV/K |

Connection data

Input

| | |
|----------|-----|
| Position | 1.x |
|----------|-----|

Conductor connection

| | |
|--|--|
| Connection method | Screw connection |
| rigid | 0.5 mm ² ... 16 mm ² |
| flexible | 0.5 mm ² ... 16 mm ² |
| flexible with ferrule without plastic sleeve | 0.5 mm ² ... 16 mm ² |
| flexible with ferrule with plastic sleeve | 0.5 mm ² ... 16 mm ² |
| rigid (AWG) | 8 ... 6 (Cu) |
| Stripping length | 10 mm (rigid/flexible) |
| Torque | 1.2 Nm ... 1.5 Nm |
| Drive form screw head | Slotted L |

Output

| | |
|----------|-----|
| Position | 2.x |
|----------|-----|

Conductor connection

| | |
|--|--|
| Connection method | Screw connection |
| rigid | 0.5 mm ² ... 16 mm ² |
| flexible | 0.5 mm ² ... 16 mm ² |
| flexible with ferrule without plastic sleeve | 0.5 mm ² ... 16 mm ² |
| flexible with ferrule with plastic sleeve | 0.5 mm ² ... 16 mm ² |
| rigid (AWG) | 8 ... 6 (Cu) |
| Stripping length | 10 mm (rigid/flexible) 8 mm (Ferrule) |
| Torque | 1.2 Nm ... 1.5 Nm |
| Drive form screw head | Slotted L |

Signal

| | |
|----------|-----|
| Position | 3.x |
|----------|-----|

Conductor connection

| | |
|--|---|
| Connection method | Push-in connection |
| rigid | 0.2 mm ² ... 1 mm ² |
| flexible | 0.2 mm ² ... 1 mm ² |
| flexible with ferrule without plastic sleeve | 0.2 mm ² ... 0.75 mm ² 0.5 mm ² (recommended) |

Uninterruptible power supply - QUINT4-UPS/24DC/24DC/40



2907077

<https://www.phoenixcontact.com/pc/products/2907077>

| | |
|---|--|
| flexible with ferrule with plastic sleeve | 0.2 mm ² ... 0.75 mm ² |
| rigid (AWG) | 24 ... 16 (Cu) |
| Stripping length | 8 mm (rigid/flexible) |

LED signaling

| | |
|--------------------|--------------------|
| Types of signaling | DC OK (green) |
| | Alarm (red) |
| | Bat.-Mode (yellow) |
| | SOC (red, green) |
| | Data (red, green) |

Product properties

| | |
|------------------------------------|------------------------------|
| Product type | Uninterruptible power supply |
| MTBF (IEC 61709, SN 29500) | > 1980000 h (25 °C) |
| | > 1205000 h (40 °C) |
| | > 604200 h (60 °C) |
| Environmental protection directive | RoHS Directive 2011/65/EU |
| | WEEE |
| | Reach |

Insulation characteristics

| | |
|---------------------|------------------|
| Protection class | III (without PE) |
| Degree of pollution | 2 |

Life expectancy (electrolytic capacitors)

| | |
|------|----------|
| Time | 126720 h |
|------|----------|

Dimensions

| | |
|--------|--------|
| Width | 47 mm |
| Height | 130 mm |
| Depth | 125 mm |

Installation dimensions

| | |
|--|---------------------------------------|
| Installation distance right/left (active) | 5 mm / 5 mm ($P_{Out} \geq 50\%$) |
| Installation distance right/left (passive) | 0 mm / 0 mm ($P_{Out} \geq 50\%$) |
| Installation distance right/left (active, passive) | 0 mm / 0 mm ($P_{Out} \leq 50\%$) |
| Installation distance top/bottom (active) | 50 mm / 50 mm ($P_{Out} \geq 50\%$) |
| Installation distance top/bottom (passive) | 40 mm / 20 mm ($P_{Out} \geq 50\%$) |
| Installation distance top/bottom (active, passive) | 40 mm / 20 mm ($P_{Out} \leq 50\%$) |

Alternative assembly

| | |
|--------|--------|
| Width | 123 mm |
| Height | 130 mm |
| Depth | 49 mm |

Mounting

Uninterruptible power supply - QUINT4-UPS/24DC/24DC/40



2907077

<https://www.phoenixcontact.com/pc/products/2907077>

| | |
|-------------------|--|
| Mounting type | DIN rail mounting |
| Mounting position | On horizontal DIN rail NS 35/7.5 and NS 35/15 acc. to EN 60715 |

Material specifications

| | |
|---|------------------------|
| Inflammability class in acc. with UL 94 (housing / terminal blocks) | V0 |
| Housing material | Metal |
| Hood version | Stainless steel X6Cr17 |
| Side element version | Aluminum AlMg3 |

Environmental and real-life conditions

Ambient conditions

| | |
|--|---|
| Degree of protection | IP20 |
| Ambient temperature (operation) | -25 °C ... 70 °C (> 60 °C Derating: 2,5 %/K) |
| Ambient temperature (storage/transport) | -40 °C ... 85 °C |
| Ambient temperature (start-up type tested) | -40 °C |
| Maximum altitude | ≤ 4000 m |
| Climatic class | 3K3 (EN 60721) |
| Max. permissible relative humidity (operation) | ≤ 95 % (at 25 °C, non-condensing) |
| Shock | 18 ms, 30g, in each space direction (according to IEC 60068-2-27) |
| Vibration (operation) | 2.3g |

Standards and regulations

Overvoltage category

| | |
|----------------|---------------|
| EN 61010-1 | II (≤ 4000 m) |
| EN 61010-2-201 | II (≤ 4000 m) |

Protective extra-low voltage

| | |
|--------------------------|------------------------|
| Standards/specifications | IEC 61010-1 (SELV) |
| | IEC 61010-2-201 (PELV) |

Approval data

UL approval

| | |
|----------------|---------------------------|
| Identification | UL/C-UL Listed UL 61010-1 |
|----------------|---------------------------|

UL approval

| | |
|----------------|-------------------------------|
| Identification | UL/C-UL Listed UL 61010-2-201 |
|----------------|-------------------------------|

UL approval

| | |
|----------------|---|
| Identification | UL/C-UL Listed ANSI/ISA-12.12.01 Class I, Division 2, Groups A, B, C, D T4 (Hazardous Location) |
|----------------|---|

UL approval

| | |
|----------------|------------------------------|
| Identification | CAN/CSA-C22.2 No. 61010-1-12 |
|----------------|------------------------------|

UL approval

Uninterruptible power supply - QUINT4-UPS/24DC/24DC/40



2907077

<https://www.phoenixcontact.com/pc/products/2907077>

| | |
|----------------|--|
| Identification | CAN/CSA-IEC 61010-2-201 |
| UL approval | |
| Identification | CAN/CSA-C22.2 No. 213 Class I, Division 2, Groups A, B, C, D T4 (Hazardous Location) |
| UL approval | |
| Identification | IEC 61010-1 |
| | IEC 61010-2-201 |
| UL approval | |
| Identification | Class Guideline DNVGL-CG-0339 |
| Note | Location classes: Temperature D (see Application/Limitation), Humidity B, Vibration A/C, EMC B |

EMC data

| | |
|-------------------------------------|--|
| Low Voltage Directive | Conformance with Low Voltage Directive 2014/35/EC |
| Electromagnetic compatibility | Conformance with EMC Directive 2014/30/EU |
| EMC requirements for noise emission | EN 61000-6-3 |
| | EN 61000-6-4 |
| EMC requirements for noise immunity | EN 61000-6-1 |
| | EN 61000-6-2 |
| Interference emission | Noise emission according to EN 61000-6-3 (residential and commercial) |
| Noise emission | Additional basic standard EN 61000-6-5 (immunity in power station), IEC/EN 61850-3 (energy supply) |
| Noise immunity | Immunity according to EN 61000-6-1 (residential), EN 61000-6-2 (industrial), and EN 61000-6-5 (power station equipment zone), IEC/EN 61850-3 (energy supply) |
| | Immunity according to EN 61000-6-2 (industrial) |

Electrostatic discharge

| | |
|-----------------------|--------------|
| Standards/regulations | EN 61000-4-2 |
|-----------------------|--------------|

Electrostatic discharge

| | |
|-------------------|----------------------|
| Contact discharge | 8 kV (Test Level 4) |
| Discharge in air | 15 kV (Test Level 4) |
| Comments | Criterion B |

Electromagnetic HF field

| | |
|-----------------------|--------------|
| Standards/regulations | EN 61000-4-3 |
|-----------------------|--------------|

Electromagnetic HF field

| | |
|---------------------|-----------------------|
| Frequency range | 80 MHz ... 1 GHz |
| Test field strength | 20 V/m (Test Level 3) |
| Frequency range | 1 GHz ... 6 GHz |
| Test field strength | 10 V/m (Test Level 3) |
| Frequency range | 1 GHz ... 6 GHz |
| Test field strength | 10 V/m (Test Level 3) |

Uninterruptible power supply - QUINT4-UPS/24DC/24DC/40



2907077

<https://www.phoenixcontact.com/pc/products/2907077>

| | |
|--------------------------------|--|
| Comments | Criterion A |
| Fast transients (burst) | |
| Standards/regulations | EN 61000-4-4 |
| Fast transients (burst) | |
| Input | 4 kV (Test Level 4 - asymmetrical) |
| Output | 4 kV (Test Level 4 - asymmetrical) |
| Signal | 4 kV (Test Level 4 - asymmetrical) |
| Comments | Criterion B |
| Surge voltage load (surge) | |
| Standards/regulations | EN 61000-4-5 |
| Input | 1 kV (Test Level 3 - symmetrical) |
| | 2 kV (Test Level 3 - asymmetrical) |
| Output | 1 kV (Test Level 3 - symmetrical) |
| | 2 kV (Test Level 3 - asymmetrical) |
| Signal | 1 kV (Test Level 2 - asymmetrical) |
| Comments | Criterion B |
| Conducted interference | |
| Standards/regulations | EN 61000-4-6 |
| Conducted interference | |
| I/O/S | asymmetrical |
| Frequency range | 0.15 MHz ... 80 MHz |
| Comments | Criterion A |
| Voltage | 10 V (Test Level 3) |
| Power frequency magnetic field | |
| Standards/regulations | EN 61000-4-8 |
| Frequency | 16.67 Hz |
| | 50 Hz |
| | 60 Hz |
| Test field strength | 100 A/m |
| Additional text | 60 s |
| Comments | Criterion A |
| Frequency | 50 Hz |
| | 60 Hz |
| Frequency range | 50 Hz ... 60 Hz |
| Test field strength | 1 kA/m |
| Additional text | 3 s |
| Frequency | 0 Hz |
| Test field strength | 300 A/m |
| Additional text | DC, 60 s |
| Criterion A | Normal operating behavior within the specified limits. |
| Criterion B | Temporary impairment to operational behavior that is corrected |

Uninterruptible power supply - QUINT4-UPS/24DC/24DC/40



2907077

<https://www.phoenixcontact.com/pc/products/2907077>

by the device itself.

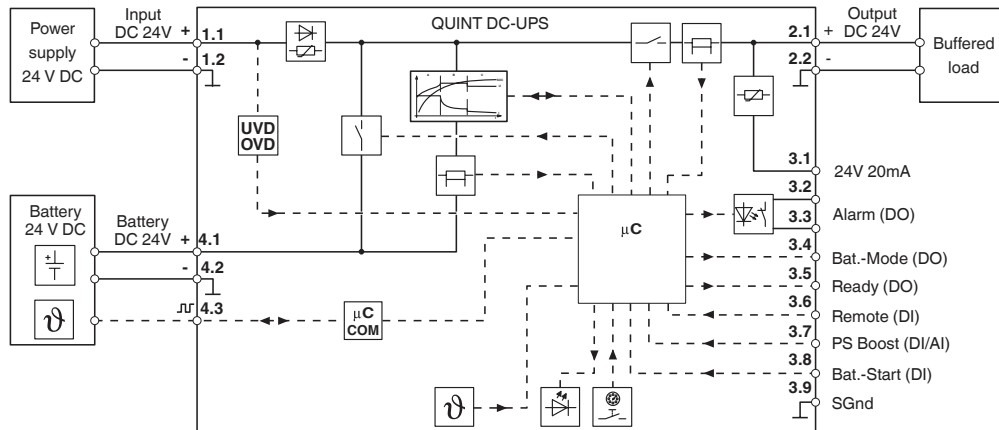
Uninterruptible power supply - QUINT4-UPS/24DC/24DC/40

2907077

<https://www.phoenixcontact.com/pc/products/2907077>

Drawings

Block diagram



Uninterruptible power supply - QUINT4-UPS/24DC/24DC/40



2907077

<https://www.phoenixcontact.com/pc/products/2907077>

Approvals



EAC

Approval ID: RU S-DE.BL08.W.00764



UL Listed

Approval ID: FILE E 123528



cUL Listed

Approval ID: FILE E 123528



DNV GL

Approval ID: TAA00002K4



EAC

Approval ID: RU-DE.B.00184/20



cUL Listed

Approval ID: FILE E 199827



UL Listed

Approval ID: FILE E 199827

cULus Listed

cULus Listed

Uninterruptible power supply - QUINT4-UPS/24DC/24DC/40



2907077

<https://www.phoenixcontact.com/pc/products/2907077>

Classifications

ECLASS

| | |
|---------------|----------|
| ECLASS-9.0 | 27040705 |
| ECLASS-10.0.1 | 27040705 |
| ECLASS-11.0 | 27040705 |

ETIM

| | |
|----------|----------|
| ETIM 8.0 | EC000382 |
|----------|----------|

UNSPSC

| | |
|-------------|----------|
| UNSPSC 21.0 | 39121000 |
|-------------|----------|

Uninterruptible power supply - QUINT4-UPS/24DC/24DC/40



2907077

<https://www.phoenixcontact.com/pc/products/2907077>

Environmental Product Compliance

| | |
|------------|--|
| REACH SVHC | Lead 7439-92-1 |
| China RoHS | Environmentally Friendly Use Period = 25; |
| | For information on hazardous substances, refer to the manufacturer's declaration available under "Downloads" |

Uninterruptible power supply - QUINT4-UPS/24DC/24DC/40



2907077

<https://www.phoenixcontact.com/pc/products/2907077>

Accessories

Energy storage

Energy storage - UPS-BAT/PB/24DC/7AH - 1274118

<https://www.phoenixcontact.com/pc/products/1274118>



Energy storage, VRLA-AGM, 24 V DC, 7 Ah, automatic detection and communication with QUINT UPS-IQ

Energy storage

Energy storage - UPS-BAT/PB/24DC/12AH - 1274119

<https://www.phoenixcontact.com/pc/products/1274119>



Energy storage, VRLA-AGM, 24 V DC, 12 Ah, automatic detection and communication with QUINT UPS-IQ

Uninterruptible power supply - QUINT4-UPS/24DC/24DC/40



2907077

<https://www.phoenixcontact.com/pc/products/2907077>

Energy storage

Energy storage - UPS-BAT/VRLA/24DC/20AH - 1109004

<https://www.phoenixcontact.com/pc/products/1109004>



Energy storage, lead AGM, VRLA technology, 24 V DC, 20 Ah, automatic detection and communication with QUINT UPS-IQ

Energy storage

Energy storage - UPS-BAT/VRLA/24DC/7.2AH - 2320319

<https://www.phoenixcontact.com/pc/products/2320319>



Energy storage device, lead AGM, VRLA technology, 24 V DC, 7.2 Ah, tool-free battery replacement, automatic detection, and communication with QUINT UPS-IQ

Uninterruptible power supply - QUINT4-UPS/24DC/24DC/40



2907077

<https://www.phoenixcontact.com/pc/products/2907077>

Energy storage

Energy storage - UPS-BAT/VRLA/24DC/12AH - 2320322

<https://www.phoenixcontact.com/pc/products/2320322>



Please use the following item in new systems: 1274119.

Energy storage device, lead AGM, VRLA technology, 24 V DC, 12 Ah, tool-free battery replacement, automatic detection, and communication with QUINT UPS-IQ

Energy storage

Energy storage - UPS-BAT/VRLA/24DC/38AH - 2320335

<https://www.phoenixcontact.com/pc/products/2320335>



Energy storage device, lead AGM, VRLA technology, 24 V DC, 38 Ah, automatic detection, and communication with QUINT UPS-IQ

Uninterruptible power supply - QUINT4-UPS/24DC/24DC/40

2907077

<https://www.phoenixcontact.com/pc/products/2907077>

Energy storage

Energy storage - UPS-BAT/VRLA-WTR/24DC/13AH - 2320416

<https://www.phoenixcontact.com/pc/products/2320416>



Energy storage device, lead AGM, VRLA technology, 24 V DC, 13 Ah, tool-free battery replacement, automatic detection, and communication with QUINT UPS-IQ

Energy storage

Energy storage - UPS-BAT/VRLA-WTR/24DC/26AH - 2320429

<https://www.phoenixcontact.com/pc/products/2320429>



Energy storage device, lead AGM, VRLA technology, 24 V DC, 26 Ah, tool-free battery replacement, automatic detection, and communication with QUINT UPS-IQ

Uninterruptible power supply - QUINT4-UPS/24DC/24DC/40

2907077

<https://www.phoenixcontact.com/pc/products/2907077>

Energy storage

Energy storage - UPS-BAT/LI-ION/24DC/120WH - 2320351

<https://www.phoenixcontact.com/pc/products/2320351>



Energy storage device, LI-ION technology, 24 V DC, 120 Wh, for ambient temperatures of -20°C ... 60°C, automatic detection and communication with QUINT UPS-IQ

Energy storage

Energy storage - UPS-BAT/LI-ION/24DC/924WH - 2908232

<https://www.phoenixcontact.com/pc/products/2908232>



Energy storage device, LI-ION technology, 24 V DC, 924 Wh, for ambient temperatures of -25 °C ... 60 °C, automatic detection and communication with QUINT UPS-IQ

Uninterruptible power supply - QUINT4-UPS/24DC/24DC/40



2907077

<https://www.phoenixcontact.com/pc/products/2907077>

Energy storage

Energy storage - UPS-BAT/PB/24DC/20AH - 1348516

<https://www.phoenixcontact.com/pc/products/1348516>



Energy storage, VRLA-AGM, 24 V DC, 20 Ah, automatic detection and communication with QUINT UPS-IQ

Phoenix Contact 2022 © - all rights reserved

<https://www.phoenixcontact.com>

PHOENIX CONTACT GmbH & Co. KG

Flachsmarktstraße 8

D-32825 Blomberg

+49 (0) 5235-3 00

info@phoenixcontact.com