

# Battery-powered screwdriver set - SF-ASD 16 SET



1200295

<https://www.phoenixcontact.com/de/produkte/1200295>

Please be informed that the data shown in this PDF document is generated from our Online Catalog. Please find the complete data in the user documentation. Our General Terms of Use for Downloads are valid.

---



Cordless screwdriver in case, incl. battery, charging device 100 ... 240 V, 2 bits, two-speed gearbox, forward/reverse running and 16-stage clutch up to 450 rpm, hexagonal fast connection.

---

## Your advantages

- 3.6 V
- Cordless screwdriver with two-speed gearbox, forward/reverse running and 16-stage clutch with drilling speed of up to 450 rpm
- Adjustable from 0.2 ... 4.3 Nm
- Comfortable one-handed operation in a straight or angled position
- 6.3 mm hexagonal fast connection
- Compact design
- The set includes: screw bit, E6,3-1/4" drive, crosshead PH 2 x 75 mm and slotted, 0.8 mm x 5 mm x 75 mm

# Battery-powered screwdriver set - SF-ASD 16 SET



1200295

<https://www.phoenixcontact.com/de/produkte/1200295>

## Commercial Data

Item number	1200295
Packing unit	1 pc
Minimum order quantity	1 pc
Sales Key	N1 - Drucker+WKZAutomaten
Product Key	BH3243
Catalog Page	Page 454 (C-3-2019)
GTIN	4055626666433
Weight per Piece (including packing)	1.850 g
Weight per Piece (excluding packing)	1.750 g
Customs tariff number	84672920
Country of origin	TW

# Battery-powered screwdriver set - SF-ASD 16 SET



1200295

<https://www.phoenixcontact.com/de/produkte/1200295>

## Set consists of

### Battery-powered screwdriver

Battery-powered screwdriver - SF-ASD 16 - 1200294

<https://www.phoenixcontact.com/de/produkte/1200294>



Cordless screwdriver, incl. battery, two-speed gearbox, forward/reverse running and 16-stage clutch up to 450 rpm, hexagonal quick connection.

---

### Charger

Charger - SF-ASD 16/CHARGER - 1200296

<https://www.phoenixcontact.com/de/produkte/1200296>



Charger, for 100 ... 240 V mains voltage, recognition of battery and parameter check, rapid charging, short-circuit resistant, polarized, operating mode display

# Battery-powered screwdriver set - SF-ASD 16 SET



1200295

<https://www.phoenixcontact.com/de/produkte/1200295>

## Technical Data

### Notes

#### Environmental Product Compliance

California Proposition 65

Further information on California's prop. 65 is available under "Downloads" in the manufacturer's declaration

### Product properties

Product type	Torque tool
Set consists of	1200294 SF-ASD 16
	1200296 SF-ASD 16/CHARGER
Battery-operated voltage	3.6 V
Battery charging	60 min.

#### Insulation characteristics

Protection class

II

### Electrical properties

Power consumption	7.2 W
Nominal voltage $U_N$	3.6 V DC
Nominal voltage $U_N$	3.6 V DC

#### Battery

Battery charging	60 min.
Battery-operated voltage	3.6 V DC
Battery capacity	2.00 Ah

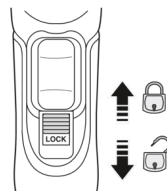
### Connection data

Torque range

0.2 Nm ... 4.3 Nm

### Dimensions

Dimensional drawing



Width

45 mm

Height

172 mm

Length

266 mm

### Environmental and real-life conditions

Ambient conditions

# Battery-powered screwdriver set - SF-ASD 16 SET



1200295

<https://www.phoenixcontact.com/de/produkte/1200295>

Ambient temperature (operation)	5 °C ... 40 °C
Ambient temperature (storage/transport)	-25 °C ... 60 °C
Permissible humidity (operation)	95 % (<)

# Battery-powered screwdriver set - SF-ASD 16 SET

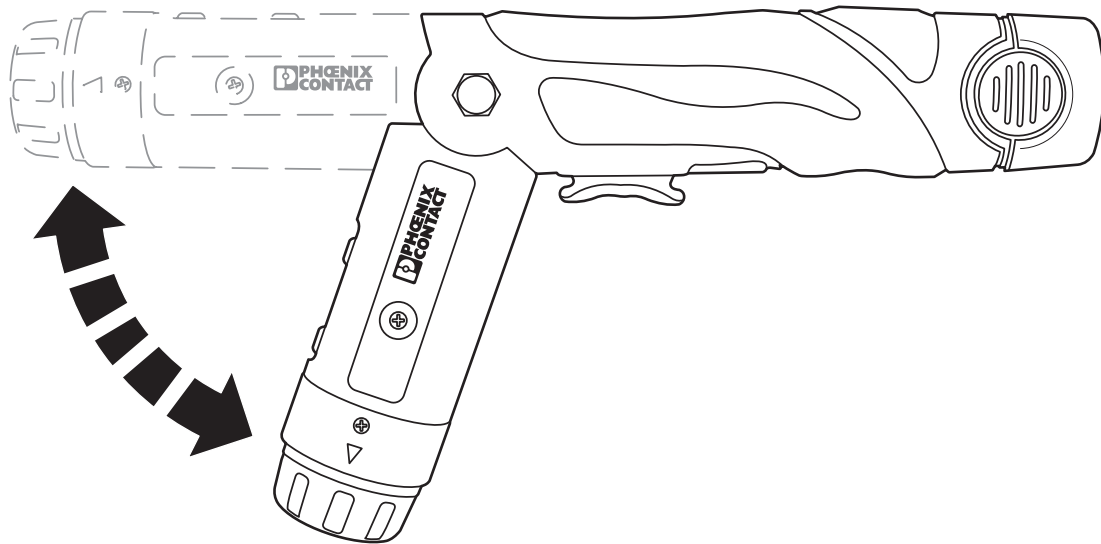


1200295

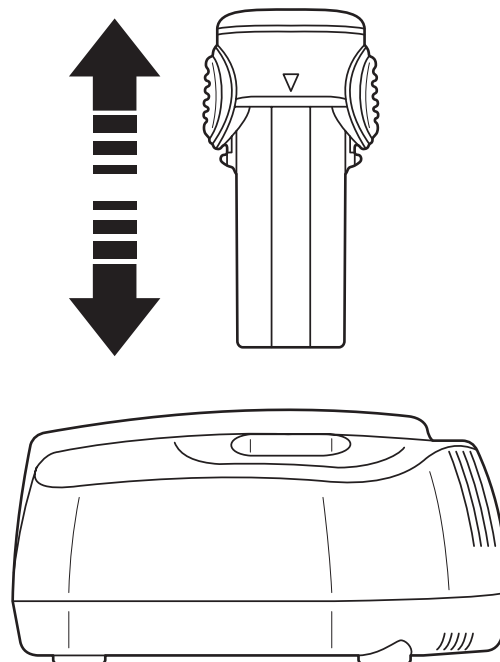
<https://www.phoenixcontact.com/de/produkte/1200295>

## Drawings

Schematic diagram



Schematic diagram



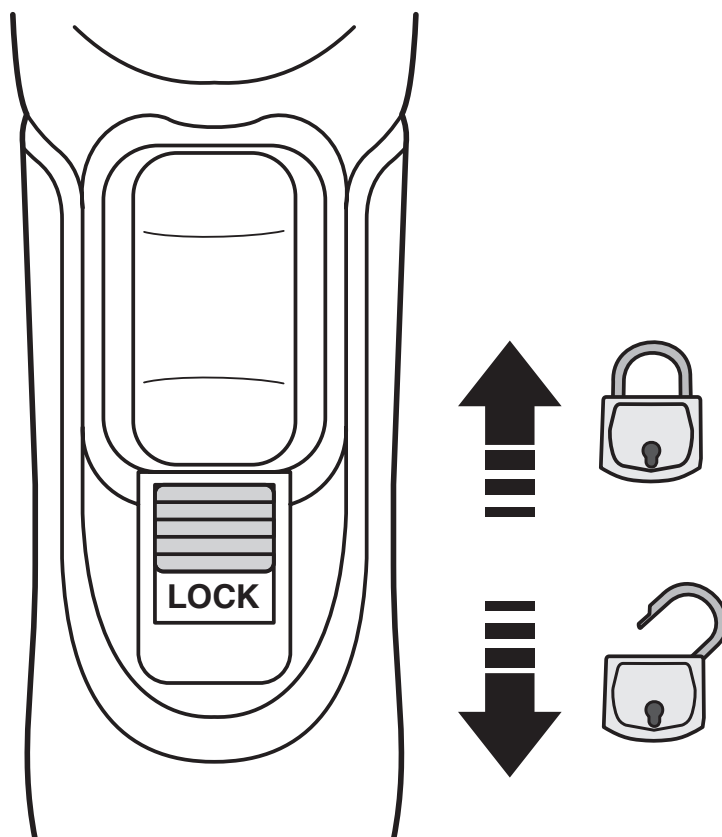
# Battery-powered screwdriver set - SF-ASD 16 SET

1200295

<https://www.phoenixcontact.com/de/produkte/1200295>



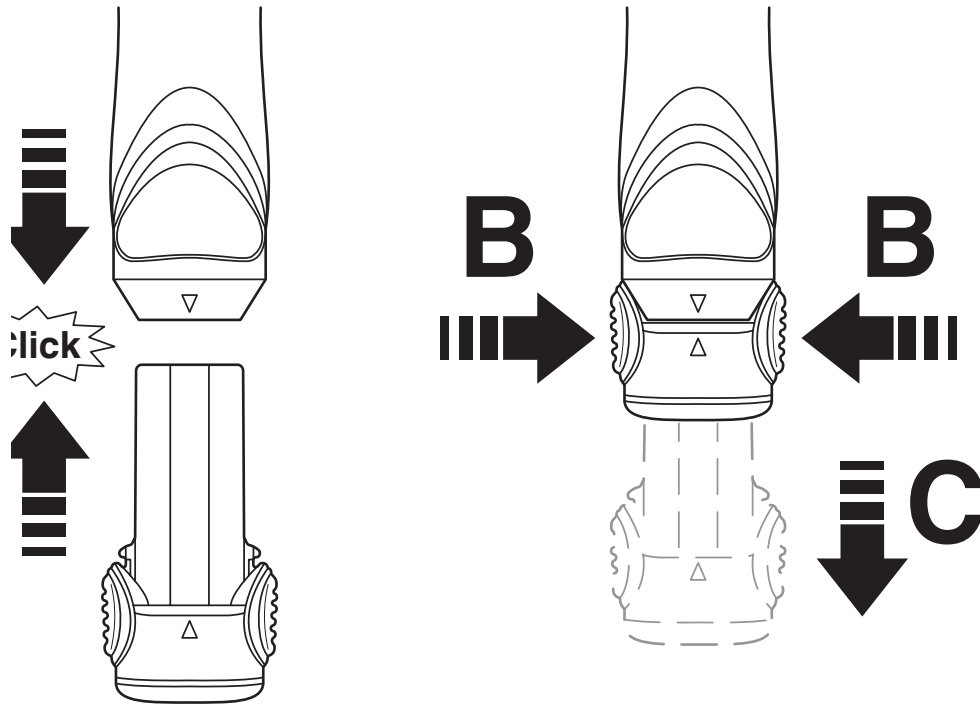
Dimensional drawing



1200295

<https://www.phoenixcontact.com/de/produkte/1200295>

Schematic diagram





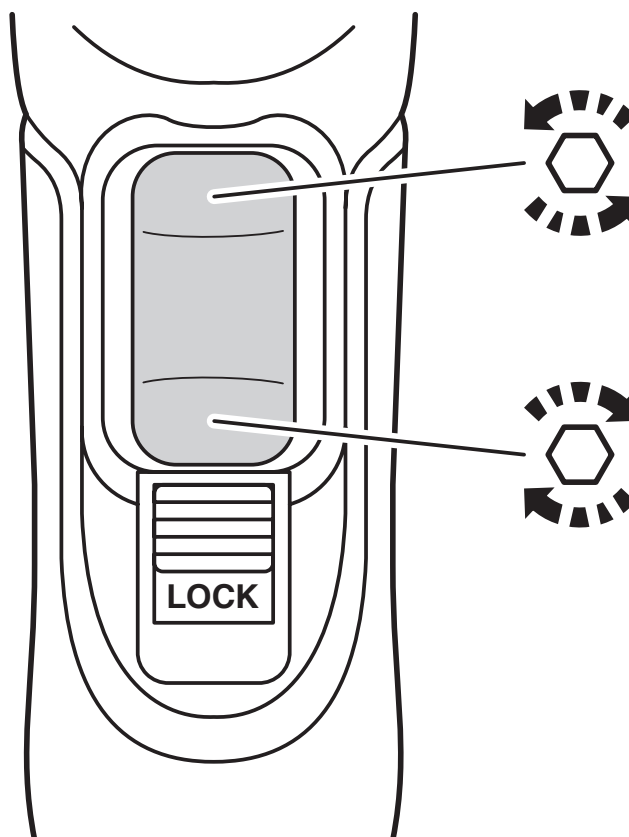
# Battery-powered screwdriver set - SF-ASD 16 SET

1200295

<https://www.phoenixcontact.com/de/produkte/1200295>



Schematic diagram



# Battery-powered screwdriver set - SF-ASD 16 SET



1200295

<https://www.phoenixcontact.com/de/produkte/1200295>

## Approvals



**EAC**

Approval ID: RU C-DE.BE02.B.03066

# Battery-powered screwdriver set - SF-ASD 16 SET



1200295

<https://www.phoenixcontact.com/de/produkte/1200295>

## Classifications

### ECLASS

ECLASS-9.0	21052190
ECLASS-10.0.1	21052190
ECLASS-11.0	21052190

### ETIM

ETIM 8.0	EC001395
----------	----------

### UNSPSC

UNSPSC 21.0	27111700
-------------	----------

# Battery-powered screwdriver set - SF-ASD 16 SET



1200295

<https://www.phoenixcontact.com/de/produkte/1200295>

## Environmental Product Compliance

REACH SVHC	Lead 7439-92-1
China RoHS	Environmentally Friendly Use Period = 5
	For information on hazardous substances, refer to the manufacturer's declaration available under "Downloads"

# Battery-powered screwdriver set - SF-ASD 16 SET



1200295

<https://www.phoenixcontact.com/de/produkte/1200295>

## Accessories

### Battery-powered screwdriver

Battery-powered screwdriver - SF-ASD 16 - 1200294

<https://www.phoenixcontact.com/de/produkte/1200294>



Cordless screwdriver, incl. battery, two-speed gearbox, forward/reverse running and 16-stage clutch up to 450 rpm, hexagonal quick connection.

---

### Charger

Charger - SF-ASD 16/CHARGER - 1200296

<https://www.phoenixcontact.com/de/produkte/1200296>



Charger, for 100 ... 240 V mains voltage, recognition of battery and parameter check, rapid charging, short-circuit resistant, polarized, operating mode display

# Battery-powered screwdriver set - SF-ASD 16 SET



1200295

<https://www.phoenixcontact.com/de/produkte/1200295>

## Adapter insert

Adapter insert - SF-UBH - 1212590

<https://www.phoenixcontact.com/de/produkte/1212590>



Universal bit holder, E6.3-1/4" drive, with automatic locking, one-hand operation, magnetic, suitable for bits according to DIN 3126 C6.3 and E6.3

---

## Screw insert

Screw insert - SF-BIT-HEX 2,5-50 - 1212646

<https://www.phoenixcontact.com/de/produkte/1212646>



Screw bit, hexagon, E6.3-1/4" drive, size: Hex 2.5 x 50 mm, hardened, suitable for holder according to DIN 3126-F6.3/ISO 1173

# Battery-powered screwdriver set - SF-ASD 16 SET



1200295

<https://www.phoenixcontact.com/de/produkte/1200295>

## Screw insert

Screw insert - SF-BIT-HEX 2,5-89 S - 1200301

<https://www.phoenixcontact.com/de/produkte/1200301>



Screw bit, hexagon, E6.3-1/4" drive, size: Hex 2.5 x 89 mm, hardened, suitable for holder according to DIN 3126-F6.3/ISO 1173

---

## Screw insert

Screw insert - SF-BIT-HEX 2-50 - 1212645

<https://www.phoenixcontact.com/de/produkte/1212645>



Screw bit, hexagon, E6.3-1/4" drive, size: Hex 2 x 50 mm, hardened, suitable for holder according to DIN 3126-F6.3/ISO 1173

# Battery-powered screwdriver set - SF-ASD 16 SET



1200295

<https://www.phoenixcontact.com/de/produkte/1200295>

## Screw insert

Screw insert - SF-BIT-HEX 2-89 S - 1200300

<https://www.phoenixcontact.com/de/produkte/1200300>



Screw bit, hexagon, E6.3-1/4" drive, size: Hex 2 x 89 mm, hardened, suitable for holder according to DIN 3126-F6.3/ISO 1173

---

## Screw insert

Screw insert - SF-BIT-HEX 3-50 - 1212647

<https://www.phoenixcontact.com/de/produkte/1212647>



Screw bit, hexagon, E6.3-1/4" drive, size: Hex 3 x 50 mm, hardened, suitable for holder according to DIN 3126-F6.3/ISO 1173



# Battery-powered screwdriver set - SF-ASD 16 SET



1200295

<https://www.phoenixcontact.com/de/produkte/1200295>

## Screw insert

Screw insert - SF-BIT-HEX 4-50 - 1212648

<https://www.phoenixcontact.com/de/produkte/1212648>



Screw bit, hexagon, E6.3-1/4" drive, size: Hex 4 x 50 mm, hardened, suitable for holder according to DIN 3126-F6.3/ISO 1173

---

## Screw insert

Screw insert - SF-BIT-HEX 4-89 S - 1200302

<https://www.phoenixcontact.com/de/produkte/1200302>



Screw bit, hexagon, E6.3-1/4" drive, size: Hex 4 x 89 mm, hardened, suitable for holder according to DIN 3126-F6.3/ISO 1173

# Battery-powered screwdriver set - SF-ASD 16 SET



1200295

<https://www.phoenixcontact.com/de/produkte/1200295>

## Screw insert

Screw insert - SF-BIT-HEX 5-50 - 1212649

<https://www.phoenixcontact.com/de/produkte/1212649>



Screw bit, hexagon, E6.3-1/4" drive, size: Hex 5 x 50 mm, hardened, suitable for holder according to DIN 3126-F6.3/ISO 1173

---

## Screw insert

Screw insert - SF-BIT-HEX 5-89 S - 1200303

<https://www.phoenixcontact.com/de/produkte/1200303>



Screw bit, hexagon, E6.3-1/4" drive, size: Hex 5 x 89 mm, hardened, suitable for holder according to DIN 3126-F6.3/ISO 1173

# Battery-powered screwdriver set - SF-ASD 16 SET



1200295

<https://www.phoenixcontact.com/de/produkte/1200295>

## Screw insert

Screw insert - SF-BIT-HEX 6-50 - 1212650

<https://www.phoenixcontact.com/de/produkte/1212650>



Screw bit, hexagon, E6.3-1/4" drive, size: Hex 6 x 50 mm, hardened, suitable for holder according to DIN 3126-F6.3/ISO 1173

---

## Screw insert

Screw insert - SF-BIT-HEX 8-50 - 1212651

<https://www.phoenixcontact.com/de/produkte/1212651>



Screw bit, hexagon, E6.3-1/4" drive, size: Hex 8 x 50 mm, hardened, suitable for holder according to DIN 3126-F6.3/ISO 1173

# Battery-powered screwdriver set - SF-ASD 16 SET



1200295

<https://www.phoenixcontact.com/de/produkte/1200295>

## Screw insert

Screw insert - SF-BIT-PH 1-50 - 1212579

<https://www.phoenixcontact.com/de/produkte/1212579>



Screw bit, PH cross, E6.3-1/4" drive, Size: Ph 1 x 50 mm, hardened, suitable for holders as per DIN 3126-F 6.3 / ISO 1173

---

## Screw insert

Screw insert - SF-BIT-PH 2-50 - 1212580

<https://www.phoenixcontact.com/de/produkte/1212580>



Screw bit, PH cross, E6.3-1/4" drive, size: PH 2 x 50 mm, hardened, suitable for holders as per DIN 3126-F 6.3 / ISO 1173

# Battery-powered screwdriver set - SF-ASD 16 SET



1200295

<https://www.phoenixcontact.com/de/produkte/1200295>

## Screw insert

Screw insert - SF-BIT-PH 3-50 - 1212581

<https://www.phoenixcontact.com/de/produkte/1212581>



Screw bit, PH crosshead, E6.3-1/4" drive, size: PH 3 x 50 mm, hardened, suitable for holder according to DIN 3126-F6.3/ISO 1173

---

## Screw insert

Screw insert - SF-BIT-PH 1-70 - 1212582

<https://www.phoenixcontact.com/de/produkte/1212582>



Screw bit, PH crosshead, E6.3-1/4" drive, size: PH 1 x 70 mm, hardened, suitable for holder according to DIN 3126-F6.3/ISO 1173

# Battery-powered screwdriver set - SF-ASD 16 SET



1200295

<https://www.phoenixcontact.com/de/produkte/1200295>

## Screw insert

Screw insert - SF-BIT-PH 2-70 - 1212583

<https://www.phoenixcontact.com/de/produkte/1212583>



Screw bit, PH crosshead, E6.3-1/4" drive, size: PH 2 x 70 mm, suitable for holder according to DIN 3126-F6.3/ISO 1173

---

## Screw insert

Screw insert - SF-BIT-PH 3-70 - 1212584

<https://www.phoenixcontact.com/de/produkte/1212584>



Screw bit, PH crosshead, E6.3-1/4" drive, size: PH 3 x 70 mm, hardened, suitable for holder according to DIN 3126-F6.3/ISO 1173

# Battery-powered screwdriver set - SF-ASD 16 SET



1200295

<https://www.phoenixcontact.com/de/produkte/1200295>

## Screw insert

Screw insert - SF-BIT-PHSL 1-70 - 1212479

<https://www.phoenixcontact.com/de/produkte/1212479>



Screw bit, positive/negative PH/bladed, E6.3-1/4" drive, size: PH 1 x 70 mm, hardened, suitable for holder according to DIN 3126-F6.3/ISO 1173

---

## Screw insert

Screw insert - SF-BIT-PHSL 2-70 - 1212601

<https://www.phoenixcontact.com/de/produkte/1212601>



Screw bit, positive/negative PH/bladed, E6.3-1/4" drive, size: PH 2 x 70 mm, hardened, suitable for holder according to DIN 3126-F6.3/ISO 1174

# Battery-powered screwdriver set - SF-ASD 16 SET



1200295

<https://www.phoenixcontact.com/de/produkte/1200295>

## Screw insert

Screw insert - SF-BIT-PZ 1-50 - 1212591

<https://www.phoenixcontact.com/de/produkte/1212591>



Screw bit, PZ crosshead, E6.3-1/4" drive, size: PZ 1 x 50 mm, hardened, suitable for holder according to DIN 3126-F6.3/ISO 1173

---

## Screw insert

Screw insert - SF-BIT-PZ 2-50 - 1212592

<https://www.phoenixcontact.com/de/produkte/1212592>



Screw bit, PZ crosshead, E6.3-1/4" drive, size: PZ 2 x 50 mm, hardened, suitable for holder according to DIN 3126-F6.3/ISO 1173



# Battery-powered screwdriver set - SF-ASD 16 SET



1200295

<https://www.phoenixcontact.com/de/produkte/1200295>

## Screw insert

Screw insert - SF-BIT-PZ 3-50 - 1212593

<https://www.phoenixcontact.com/de/produkte/1212593>



Screw bit, PZ crosshead, E6.3-1/4" drive, size: PZ 3 x 50 mm, hardened, suitable for holder according to DIN 3126-F6.3/ISO 1173

---

## Screw insert

Screw insert - SF-BIT-PZ 1-70 - 1212594

<https://www.phoenixcontact.com/de/produkte/1212594>



Screw bit, PZ crosshead, E6.3-1/4" drive, size: PZ 1 x 70 mm, hardened, suitable for holder according to DIN 3126-F6.3/ISO 1173

# Battery-powered screwdriver set - SF-ASD 16 SET



1200295

<https://www.phoenixcontact.com/de/produkte/1200295>

## Screw insert

Screw insert - SF-BIT-PZ 2-70 - 1212595

<https://www.phoenixcontact.com/de/produkte/1212595>



Screw bit, PZ crosshead, E6.3-1/4" drive, size: PZ 2 x 70 mm, hardened, suitable for holder according to DIN 3126-F6.3/ISO 1173

---

## Screw insert

Screw insert - SF-BIT-PZ 3-70 - 1212596

<https://www.phoenixcontact.com/de/produkte/1212596>



Screw bit, PZ crosshead, E6.3-1/4" drive, size: PZ 3 x 70 mm, hardened, suitable for holder according to DIN 3126-F6.3/ISO 1173

# Battery-powered screwdriver set - SF-ASD 16 SET



1200295

<https://www.phoenixcontact.com/de/produkte/1200295>

## Screw insert

Screw insert - SF-BIT-PZSL 1-70 - 1212603

<https://www.phoenixcontact.com/de/produkte/1212603>



Screw bit, positive/negative PZ/bladed, E6.3-1/4" drive, size: PZ 1 x 70 mm, hardened, suitable for holder according to DIN 3126-F6.3/ISO 1173

---

## Screw insert

Screw insert - SF-BIT-PZSL 2-70 - 1212604

<https://www.phoenixcontact.com/de/produkte/1212604>



Screw bit, positive/negative PZ/bladed, E6.3-1/4" drive, size: PZ 2 x 70 mm, hardened, suitable for holder according to DIN 3126-F6.3/ISO 1173

# Battery-powered screwdriver set - SF-ASD 16 SET



1200295

<https://www.phoenixcontact.com/de/produkte/1200295>

## Screw insert

Screw insert - SF-BIT-SL 0,45X2,4-70 - 1212607

<https://www.phoenixcontact.com/de/produkte/1212607>



Screw bit, slotted, E6.3-1/4" drive, size: 0.45 x 2.4 x 70 mm, hardened, suitable for holder according to DIN 3126-F6.3/ISO 1173

---

## Screw insert

Screw insert - SF-BIT-SL 0,5X3,0-50 - 1212566

<https://www.phoenixcontact.com/de/produkte/1212566>



Screw bit, bladed, E6.3-1/4" drive, size: 0.5 x 3.0 x 50 mm, hardened, suitable for holder according to DIN 3126-F6.3/ISO 1173

# Battery-powered screwdriver set - SF-ASD 16 SET



1200295

<https://www.phoenixcontact.com/de/produkte/1200295>

## Screw insert

Screw insert - SF-BIT-SL 0,5X3,0-70 - 1212567

<https://www.phoenixcontact.com/de/produkte/1212567>



Screw bit, bladed, E6.3-1/4" drive, size: 0.5 x 3.0 x 70 mm, hardened, suitable for holder according to DIN 3126-F6.3/ISO 1173

---

## Screw insert

Screw insert - SF-BIT-SL 0,6X3,5-50 - 1212568

<https://www.phoenixcontact.com/de/produkte/1212568>



Screw bit, bladed, E6.3-1/4" drive, size: 0.6 x 3.5 x 50 mm, hardened, suitable for holder according to DIN 3126-F6.3/ISO 1173

# Battery-powered screwdriver set - SF-ASD 16 SET



1200295

<https://www.phoenixcontact.com/de/produkte/1200295>

## Screw insert

Screw insert - SF-BIT-SL 0,6X3,5-70 - 1212569

<https://www.phoenixcontact.com/de/produkte/1212569>



Screw bit, slot, E6.3-1/4" drive, Size: 0.6 x 3.5 x 70 mm, hardened, suitable for holders as per DIN 3126-F 6.3 / ISO 1173

---

## Screw insert

Screw insert - SF-BIT-SL 0,8X4,0-50 - 1212571

<https://www.phoenixcontact.com/de/produkte/1212571>



Screw bit, bladed, E6.3-1/4" drive, size: 0.8 x 4.0 x 50 mm, hardened, suitable for holder according to DIN 3126-F6.3/ISO 1173

# Battery-powered screwdriver set - SF-ASD 16 SET



1200295

<https://www.phoenixcontact.com/de/produkte/1200295>

## Screw insert

Screw insert - SF-BIT-SL 0,8X4,0-70 - 1212572

<https://www.phoenixcontact.com/de/produkte/1212572>



Screw bit, bladed, E6.3-1/4" drive, size: 0.8 x 4.0 x 70 mm, hardened, suitable for holder according to DIN 3126-F6.3/ISO 1173

---

## Screw insert

Screw insert - SF-BIT-SL 1,0X5,5-50 - 1212574

<https://www.phoenixcontact.com/de/produkte/1212574>



Screw bit, slot, E6.3-1/4" drive, Size: 1.0 x 5.5 x 50 mm, hardened, suitable for holders as per DIN 3126-F 6.3 / ISO 1173

# Battery-powered screwdriver set - SF-ASD 16 SET



1200295

<https://www.phoenixcontact.com/de/produkte/1200295>

## Screw insert

Screw insert - SF-BIT-SL 1,0X4,0-70 - 1212754

<https://www.phoenixcontact.com/de/produkte/1212754>



Screw bit, slotted, E6.3-1/4" drive, size: 1 mm x 4 mm x 70 mm, hardened, suitable for holder according to DIN 3126-F6.3/ISO 1173

---

## Screw insert

Screw insert - SF-BIT-SL 1,0X5,5-70 - 1212575

<https://www.phoenixcontact.com/de/produkte/1212575>



Screw bit, bladed, E6.3-1/4" drive, size: 1.0 x 5.5 x 70 mm, hardened, suitable for holder according to DIN 3126-F6.3/ISO 1173



# Battery-powered screwdriver set - SF-ASD 16 SET



1200295

<https://www.phoenixcontact.com/de/produkte/1200295>

## Screw insert

Screw insert - SF-BIT-SL 1,2X6,5-70 - 1212577

<https://www.phoenixcontact.com/de/produkte/1212577>



Screw bit, bladed, E6.3-1/4" drive, size: 1.2 x 6.5 x 70 mm, hardened, suitable for holder according to DIN 3126-F6.3/ISO 1173

---

## Screw insert

Screw insert - SF-BIT-SLS 0,6X3,5-50 - 1212605

<https://www.phoenixcontact.com/de/produkte/1212605>



Screw bit, bladed, graded, E6.3-1/4" drive, for test socket screws, size: 0.6 x 3.5 x 50 mm, hardened, suitable for holder according to DIN 3126-F6.3/ISO 1173

# Battery-powered screwdriver set - SF-ASD 16 SET



1200295

<https://www.phoenixcontact.com/de/produkte/1200295>

## Screw insert

Screw insert - SF-BIT-SLS 0,9X6,5-50 - 1212606

<https://www.phoenixcontact.com/de/produkte/1212606>



Screw bit, bladed, graded, E6.3-1/4" drive, for test socket screws, size: 0.9 x 6.5 x 50 mm, hardened, suitable for holder according to DIN 3126-F6.3/ISO 1173

---

## Screw insert

Screw insert - SF-BIT-TX 10-50 - 1212573

<https://www.phoenixcontact.com/de/produkte/1212573>



Screw bit, Torx<sup>®</sup>, E6.3-1/4" drive, size: TX 10 x 50 mm, hardened, suitable for holder according to DIN 3126-F6.3/ISO 1173

# Battery-powered screwdriver set - SF-ASD 16 SET



1200295

<https://www.phoenixcontact.com/de/produkte/1200295>

## Screw insert

Screw insert - SF-BIT-TX 15-50 - 1212576

<https://www.phoenixcontact.com/de/produkte/1212576>



Screw bit, Torx<sup>®</sup>, E6.3-1/4" drive, size: TX 15 x 50 mm, hardened, suitable for holder according to DIN 3126-F6.3/ISO 1173

---

## Screw insert

Screw insert - SF-BIT-TX 20-50 - 1212578

<https://www.phoenixcontact.com/de/produkte/1212578>



Screw bit, Torx<sup>®</sup>, E6.3-1/4" drive, size: TX 20 x 50 mm, hardened, suitable for holder according to DIN 3126-F6.3/ISO 1173

# Battery-powered screwdriver set - SF-ASD 16 SET



1200295

<https://www.phoenixcontact.com/de/produkte/1200295>

## Screw insert

Screw insert - SF-BIT-TX 25-50 - 1212585

<https://www.phoenixcontact.com/de/produkte/1212585>



Screw bit, Torx<sup>®</sup>, E6.3-1/4" drive, size: TX 25 x 50 mm, hardened, suitable for holder according to DIN 3126-F6.3/ISO 1173

---

## Screw insert

Screw insert - SF-BIT-TX 30-50 - 1212586

<https://www.phoenixcontact.com/de/produkte/1212586>



Screw bit, Torx<sup>®</sup>, E6.3-1/4" drive, size: TX 30 x 50 mm, hardened, suitable for holder according to DIN 3126-F6.3/ISO 1173

# Battery-powered screwdriver set - SF-ASD 16 SET



1200295

<https://www.phoenixcontact.com/de/produkte/1200295>

## Screw insert

Screw insert - SF-BIT-TX 40-50 - 1200161

<https://www.phoenixcontact.com/de/produkte/1200161>



Screw bit, Torx<sup>®</sup>, E6.3-1/4" drive, size: TX 40 x 50 mm, hardened, suitable for holder according to DIN 3126-F6.3/ISO 1173

---

## Screw insert

Screw insert - SF-BIT-TX 8-50 - 1212570

<https://www.phoenixcontact.com/de/produkte/1212570>



Screw bit, Torx<sup>®</sup>, E6.3-1/4" drive, size: TX 8 x 50 mm, hardened, suitable for holder according to DIN 3126-F6.3/ISO 1173

# Battery-powered screwdriver set - SF-ASD 16 SET



1200295

<https://www.phoenixcontact.com/de/produkte/1200295>

## Screw insert

Screw insert - SF-BIT-HEXB 5-89 - 1208911

<https://www.phoenixcontact.com/de/produkte/1208911>



Screw bit, hexagonal with ball head, E6.3-1/4" drive, size: Hex 5 x 89 mm, hardened, suitable for holder according to DIN 3126-F 6.3/ISO 1173

---

## Battery module

Battery module - SF-ASD 16/ACCU 2,0 AH - 1314530

<https://www.phoenixcontact.com/de/produkte/1314530>



Replacement battery, 2.0 Ah, lithium-ion, 3.6 V, for SF-ASD 16 cordless screwdriver

---

Phoenix Contact 2022 © - all rights reserved  
<https://www.phoenixcontact.com>

PHOENIX CONTACT Deutschland GmbH  
Flachsmarktstraße 8  
D-32825 Blomberg  
+49 52 35/3-1 20 00  
[info@phoenixcontact.de](mailto:info@phoenixcontact.de)