

Control cabinet feed-through - VS-BH-M12FSX-10G-RJ45/180



1404549

<https://www.phoenixcontact.com/pc/products/1404549>

Please be informed that the data shown in this PDF document is generated from our Online Catalog. Please find the complete data in the user documentation. Our General Terms of Use for Downloads are valid.

Control cabinet feed-through, M12, 8-pos., X-coded to RJ45 socket, socket input 180°, IP65/67



Your advantages

- Compact design
- 10 Gbps
- IP65/67
- UL

Control cabinet feed-through - VS-BH-M12FSX-10G-RJ45/180



1404549

<https://www.phoenixcontact.com/pc/products/1404549>

Commercial Data

Item number	1404549
Packing unit	1 pc
Minimum order quantity	1 pc
Note	Made to Order (non-returnable)
Product Key	ABNGAC
Catalog Page	Page 348 (C-2-2019)
GTIN	4046356699426
Weight per Piece (including packing)	36.5 g
Weight per Piece (excluding packing)	36.5 g
Customs tariff number	85366990
Country of origin	DE

Control cabinet feed-through - VS-BH-M12FSX-10G-RJ45/180



1404549

<https://www.phoenixcontact.com/pc/products/1404549>

Technical Data

Product properties

Type	Straight
Number of positions	8
Number of slots	1
Shielded	yes
Cable outlet	straight
Thread type	M12

Electrical properties

Rated voltage (III/3)	72 V (DC)
Rated surge voltage	0.8 kV
Rated current	1.75 A
Nominal voltage U_N	48 V
Nominal current I_N	0.5 A

Material specifications

Color	black
Flammability rating according to UL 94	V0
Material of grip body	PA
Contact material	Copper alloy
Housing material	PA

Connector

Insertion/withdrawal cycles	≥ 100
Number of positions	8
Insertion/withdrawal cycles	≥ 100
Contact material	Copper alloy
Thread type	M12
Housing material	PA
Degree of protection	IP65/IP67
Number of positions	8
Insertion/withdrawal cycles	≥ 100
Contact material	Copper alloy

Environmental and real-life conditions

Ambient conditions

Degree of protection	IP65
	IP67
Degree of protection	IP65/IP67
Ambient temperature (operation)	-25 °C ... 85 °C
Ambient temperature (storage/transport)	-25 °C ... 85 °C

Control cabinet feed-through - VS-BH-M12FSX-10G-RJ45/180



1404549

<https://www.phoenixcontact.com/pc/products/1404549>

Mounting

Mounting type

Rear mounting

Control cabinet feed-through - VS-BH-M12FSX-10G-RJ45/180

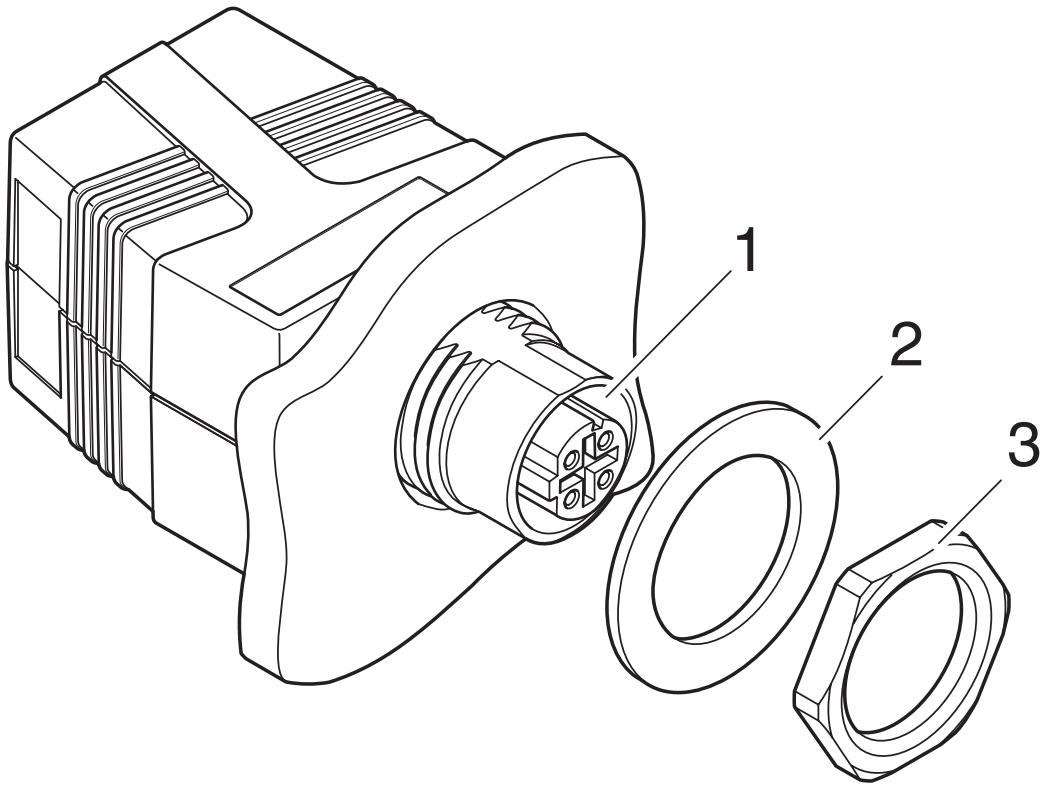


1404549

<https://www.phoenixcontact.com/pc/products/1404549>

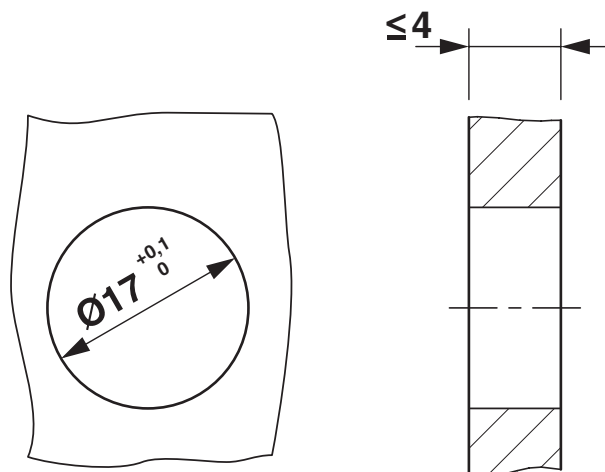
Drawings

Exploded view



Exploded drawing

Dimensional drawing



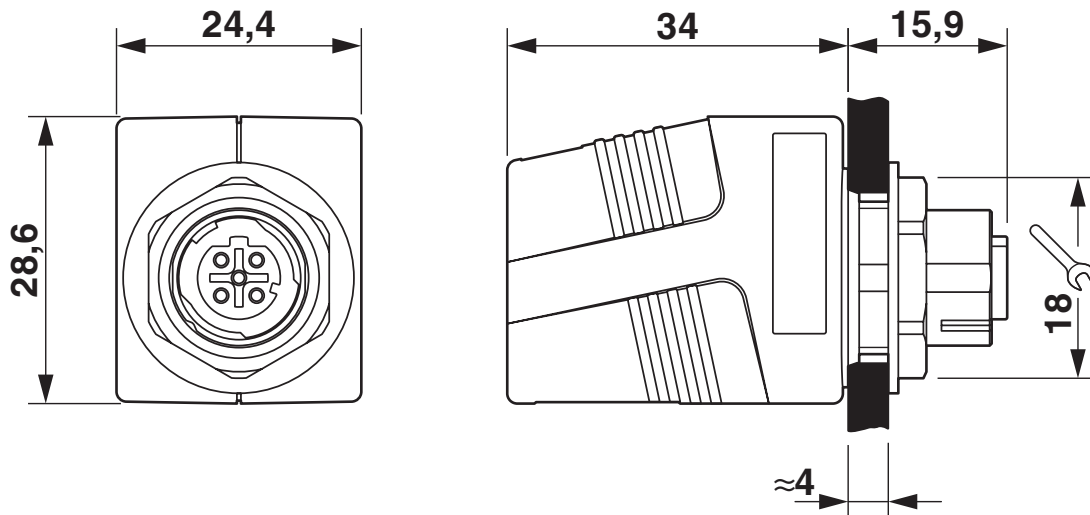
Mounting cutout

Control cabinet feed-through - VS-BH-M12FSX-10G-RJ45/180

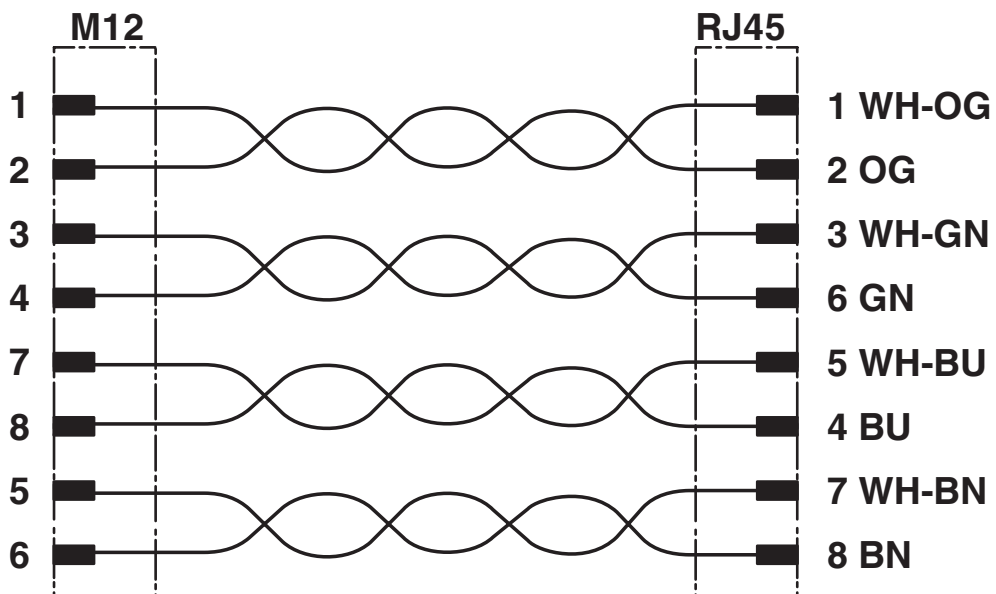
1404549

<https://www.phoenixcontact.com/pc/products/1404549>

Dimensional drawing



Circuit diagram



Circuit diagram


Control cabinet feed-through - VS-BH-M12FSX-10G-RJ45/180



1404549

<https://www.phoenixcontact.com/pc/products/1404549>

Approvals

 EAC

 UL Listed

	Nominal Voltage U_N	Nominal Current I_N	Cross Section AWG	Cross Section mm^2
	60 V	0.5 A	-	-

 cUL Listed

	Nominal Voltage U_N	Nominal Current I_N	Cross Section AWG	Cross Section mm^2
	60 V	0.5 A	-	-

cULus Listed

Control cabinet feed-through - VS-BH-M12FSX-10G-RJ45/180



1404549

<https://www.phoenixcontact.com/pc/products/1404549>

Classifications

ECLASS

ECLASS-9.0	27440312
ECLASS-10.0.1	27440312
ECLASS-11.0	27440312

ETIM

ETIM 8.0	EC002641
----------	----------

UNSPSC

UNSPSC 21.0	39121400
-------------	----------

Control cabinet feed-through - VS-BH-M12FSX-10G-RJ45/180



1404549

<https://www.phoenixcontact.com/pc/products/1404549>

Environmental Product Compliance

REACH SVHC	Lead 7439-92-1
China RoHS	Environmentally Friendly Use Period = 50 years
	For information on hazardous substances, refer to the manufacturer's declaration available under "Downloads"

Phoenix Contact 2022 © - all rights reserved

<https://www.phoenixcontact.com>

PHOENIX CONTACT GmbH & Co. KG

Flachsmarktstraße 8

D-32825 Blomberg

+49 (0) 5235-3 00

info@phoenixcontact.com