

# Contact insert module - HC-M-RJI-AD-08-PC-M

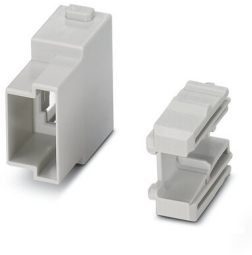


1419888

<https://www.phoenixcontact.com/pc/products/1419888>

Please be informed that the data shown in this PDF document is generated from our Online Catalog. Please find the complete data in the user documentation. Our General Terms of Use for Downloads are valid.

---



Contact insert module, number of positions: RJ45, type : RJ45, Pin, 48 V, 1 A, application: Data, with adapter for RJ industrial connector

---

# Contact insert module - HC-M-RJI-AD-08-PC-M



1419888

<https://www.phoenixcontact.com/pc/products/1419888>

## Commercial Data

Item number	1419888
Packing unit	1 pc
Minimum order quantity	1 pc
Product Key	BF7ACE
Catalog Page	Page 591 (C-2-2019)
GTIN	4055626253268
Weight per Piece (including packing)	12.5 g
Weight per Piece (excluding packing)	11.6 g
Customs tariff number	85389099
Country of origin	PL

# Contact insert module - HC-M-RJI-AD-08-PC-M



1419888

<https://www.phoenixcontact.com/pc/products/1419888>

## Technical Data

### Notes

General	Refer to the accessories list for the corresponding RJ45 connectors
General	Connectors may be operated only when there is no load/voltage.

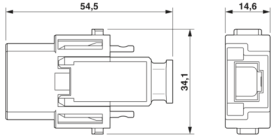
### Product properties

Product type	Modular contact insert
Number of positions	8
Connection profile	RJ45
Application	Data
Number of module slots	1
Type	RJ45
Series	HC-M-RJ45

### Insulation characteristics

Overvoltage category	III
Degree of pollution	3

### Dimensions

Dimensional drawing	
Width	34.2 mm
Height	54.5 mm
Length	14.6 mm

### Mechanical characteristics

Minimum housing height	72 mm
------------------------	-------

### Electrical properties

Rated voltage (III/3)	48 V
Rated surge voltage	0.8 kV
Rated current	1 A

### Material specifications

Color	light grey
Flammability rating according to UL 94	V0
Contact material	Copper alloy
Contact surface material	Au
Contact carrier material	PC

# Contact insert module - HC-M-RJI-AD-08-PC-M



1419888

<https://www.phoenixcontact.com/pc/products/1419888>

Standards/regulations

PC: Fire protection in rail vehicles - requirement sets R22, R23, and R24 acc. to DIN EN 45545-2 (Risk level HL1 - HL3)

## Connector

Insertion/withdrawal cycles

≥ 500

## Mounting

Assembly instructions

To ensure correct use, installation in housing with IP54 protection or better is required

## Ambient conditions

Ambient temperature (operation)

-40 °C ... 70 °C

## Standards and regulations

### Testing

Standards/regulations

PC: Fire protection in rail vehicles - requirement sets R22, R23, and R24 acc. to DIN EN 45545-2 (Risk level HL1 - HL3)

# Contact insert module - HC-M-RJI-AD-08-PC-M

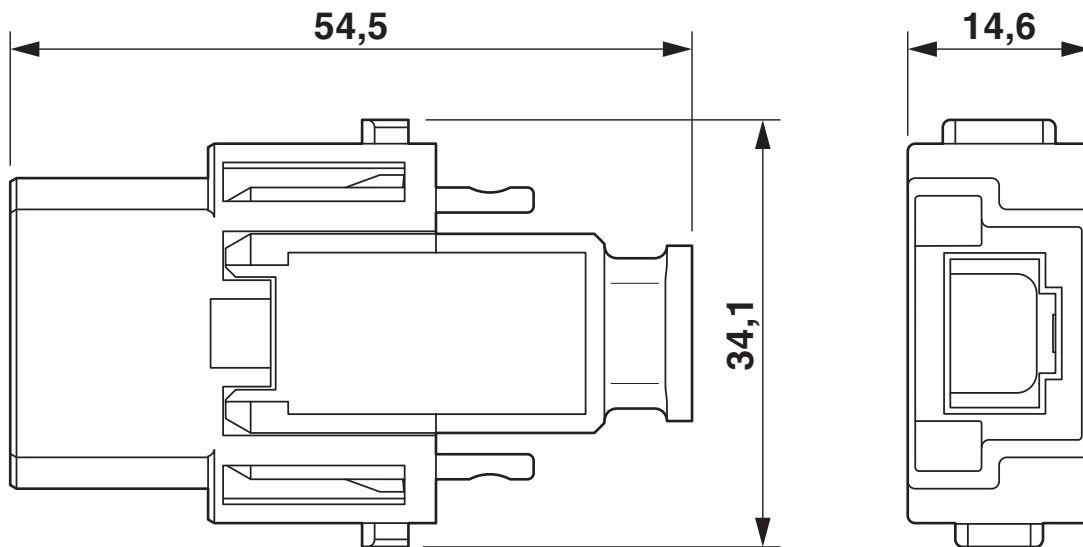


1419888

<https://www.phoenixcontact.com/pc/products/1419888>

## Drawings

Dimensional drawing



Male insert

# Contact insert module - HC-M-RJI-AD-08-PC-M



1419888

<https://www.phoenixcontact.com/pc/products/1419888>

## Approvals

**DNV**

Approval ID: TAE000037S



**CSA**

Approval ID: 13631



**UL Recognized**

Approval ID: E118976



**EAC**

Approval ID: RU C-DE.AI30.B.01102



**EAC**

Approval ID: RU C-DE.BL08.B.00511

# Contact insert module - HC-M-RJI-AD-08-PC-M



1419888

<https://www.phoenixcontact.com/pc/products/1419888>

## Classifications

### ECLASS

ECLASS-9.0	27440218
ECLASS-10.0.1	27440218
ECLASS-11.0	27440218

### ETIM

ETIM 8.0	EC000438
----------	----------

### UNSPSC

UNSPSC 21.0	39121400
-------------	----------

# Contact insert module - HC-M-RJI-AD-08-PC-M



1419888

<https://www.phoenixcontact.com/pc/products/1419888>

## Environmental Product Compliance

China RoHS	Environmentally friendly use period: unlimited = EFUP-e
	No hazardous substances above threshold values



# Contact insert module - HC-M-RJI-AD-08-PC-M

1419888

<https://www.phoenixcontact.com/pc/products/1419888>

## Accessories

### Module carrier frame

Module carrier frame - HC-M-B06-MFH-B - 1182085

<https://www.phoenixcontact.com/pc/products/1182085>



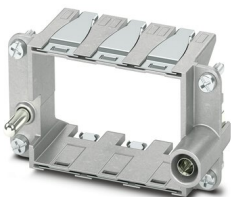
Module carrier frame, size: B6, type : for the panel mounting side (a, b, c, ...), 4 mm<sup>2</sup> ... 6 mm<sup>2</sup>, application: Module carrier frame

---

### Module carrier frame

Module carrier frame - HC-M-B10-MFH-B - 1182088

<https://www.phoenixcontact.com/pc/products/1182088>



Module carrier frame, size: B10, type : for the panel mounting side (a, b, c, ...), 4 mm<sup>2</sup> ... 6 mm<sup>2</sup>, application: Module carrier frame

# Contact insert module - HC-M-RJI-AD-08-PC-M

1419888

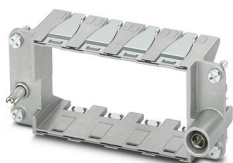
<https://www.phoenixcontact.com/pc/products/1419888>

## Module carrier frame

Module carrier frame - HC-M-B16-MFH-B - 1182090

<https://www.phoenixcontact.com/pc/products/1182090>

Module carrier frame, size: B16, type : for the panel mounting side (a, b, c, ...), 4 mm<sup>2</sup> ... 6 mm<sup>2</sup>, application: Module carrier frame



---

## Module carrier frame

Module carrier frame - HC-M-B24-MFH-B - 1182094

<https://www.phoenixcontact.com/pc/products/1182094>

Module carrier frame, size: B24, type : for the panel mounting side (a, b, c, ...), 4 mm<sup>2</sup> ... 6 mm<sup>2</sup>, application: Module carrier frame



# Contact insert module - HC-M-RJI-AD-08-PC-M

1419888

<https://www.phoenixcontact.com/pc/products/1419888>

## Module carrier frame

Module carrier frame - HC-M-B06-MFH-H - 1182087

<https://www.phoenixcontact.com/pc/products/1182087>



Module carrier frame, size: B6, type : for the sleeve side (A, B, C, ...), 4 mm<sup>2</sup> ... 6 mm<sup>2</sup>, application: Module carrier frame

---

## Module carrier frame

Module carrier frame - HC-M-B10-MFH-H - 1182089

<https://www.phoenixcontact.com/pc/products/1182089>



Module carrier frame, size: B10, type : for the sleeve side (A, B, C, ...), 4 mm<sup>2</sup> ... 6 mm<sup>2</sup>, application: Module carrier frame

# Contact insert module - HC-M-RJI-AD-08-PC-M

1419888

<https://www.phoenixcontact.com/pc/products/1419888>

## Module carrier frame

Module carrier frame - HC-M-B16-MFH-H - 1182093

<https://www.phoenixcontact.com/pc/products/1182093>

Module carrier frame, size: B16, type : for the sleeve side (A, B, C, ...), 4 mm<sup>2</sup> ...  
6 mm<sup>2</sup>, application: Module carrier frame



---

## Module carrier frame

Module carrier frame - HC-M-B24-MFH-H - 1182095

<https://www.phoenixcontact.com/pc/products/1182095>

Module carrier frame, size: B24, type : for the sleeve side (A, B, C, ...), 4 mm<sup>2</sup> ...  
6 mm<sup>2</sup>, application: Module carrier frame



# Contact insert module - HC-M-RJI-AD-08-PC-M

1419888

<https://www.phoenixcontact.com/pc/products/1419888>

## Contact insert

Contact insert - CUC-INI-C1ZNI-S/R4IE8 - 1421608

<https://www.phoenixcontact.com/pc/products/1421608>



Contact insert, degree of protection: IP20, number of positions: 8, 1 Gbps, CAT5 (IEC 11801:2002), material: Zinc die-cast, connection method: IDC fast connection, connection cross section: AWG 26- 24, cable outlet: straight, Ethernet

---

## Contact insert

Contact insert - CUC-INI-C1ZNI-S/R4IP8 - 1421129

<https://www.phoenixcontact.com/pc/products/1421129>



Contact insert, degree of protection: IP20, number of positions: 8, 1 Gbps, CAT5 (IEC 11801:2002), material: Zinc die-cast, connection method: IDC fast connection, connection cross section: AWG 23- 22, cable outlet: straight, Ethernet/PROFINET

# Contact insert module - HC-M-RJI-AD-08-PC-M

1419888

<https://www.phoenixcontact.com/pc/products/1419888>

## Contact insert

Contact insert - CUC-INI-C1ZNI-S/R4IP10G8 - 1157963

<https://www.phoenixcontact.com/pc/products/1157963>



Contact insert, degree of protection: IP20, number of positions: 8, 10 Gbps, CAT6<sub>A</sub> (IEC 60512-27-100:2008, TIA-568-C.2:2009), connection method: IDC fast connection, connection cross section: AWG 23- 22, cable outlet: straight, PROFINET

---

## Contact insert

Contact insert - CUC-INI-C1ZNI-S/R4IE10G8 - 1157964

<https://www.phoenixcontact.com/pc/products/1157964>



Contact insert, degree of protection: IP20, number of positions: 8, 10 Gbps, CAT6<sub>A</sub> (IEC 60512-27-100:2008, TIA-568-C.2:2009), connection method: IDC fast connection, connection cross section: AWG 26- 24, cable outlet: straight, Ethernet

# Contact insert module - HC-M-RJI-AD-08-PC-M

1419888

<https://www.phoenixcontact.com/pc/products/1419888>

## Coding element

Coding element - HC-CBU-MOD - 1636130

<https://www.phoenixcontact.com/pc/products/1636130>



Coding socket for coding up to 16 connectors, for HC Modular

---

## Coding element

Coding element - HC-CST-MOD - 1636127

<https://www.phoenixcontact.com/pc/products/1636127>



Coding peg for coding up to 16 connectors, for HC Modular

# Contact insert module - HC-M-RJI-AD-08-PC-M



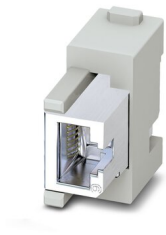
1419888

<https://www.phoenixcontact.com/pc/products/1419888>

## Contact insert module

Contact insert module - HC-M-RJ45-08-GC-F/F - 1419886

<https://www.phoenixcontact.com/pc/products/1419886>



Contact insert module, number of positions: RJ45, type : RJ45, Socket, 48 V, 1 A, application: Data, Gender changer

---

Phoenix Contact 2022 © - all rights reserved

<https://www.phoenixcontact.com>

PHOENIX CONTACT GmbH & Co. KG

Flachsmarktstraße 8

D-32825 Blomberg

+49 (0) 5235-3 00

[info@phoenixcontact.com](mailto:info@phoenixcontact.com)