

# Valve connectors - SACC-V-3CON-PG9/A-1L-S



1671137

<https://www.phoenixcontact.com/pc/products/1671137>

Please be informed that the data shown in this PDF document is generated from our Online Catalog. Please find the complete data in the user documentation. Our General Terms of Use for Downloads are valid.



Valve connectors, Universal, 3-position, Valve connector A, with 1 LED, connected with Zener diode, Screw connection, cable gland Pg9, external cable diameter 6 mm ... 8 mm

# Valve connectors - SACC-V-3CON-PG9/A-1L-S



1671137

<https://www.phoenixcontact.com/pc/products/1671137>

## Commercial Data

Item number	1671137
Packing unit	1 pc
Minimum order quantity	1 pc
Sales Key	02
Product Key	BF2DAA
Catalog Page	Page 29 (C-2-2019)
GTIN	4017918134983
Weight per Piece (including packing)	36 g
Weight per Piece (excluding packing)	34.6 g
Customs tariff number	85366990
Country of origin	CZ

## Technical Data

### Notes

Assembly instruction:	<b>NOTE:</b> Observe the permissible bending radii when laying conductors, since the degree of protection may be put in jeopardy if the bending forces are too high. Alleviate mechanical loads upstream of the connector, e.g. by using cable ties.
-----------------------	--

### Product properties

Product type	Valve connector
Number of positions	3
No. of cable outlets	1
Shielded	no
Pg screw connection	Pg9

### Insulation characteristics

Overvoltage category	II
Degree of pollution	3

### Electrical properties

Contact resistance	≤ 4 mΩ
Insulation resistance	> 2 GΩ
Nominal voltage U <sub>N</sub>	24 V AC 24 V DC
Nominal current I <sub>N</sub>	4 A
Protective circuit	Surge protection; Z diode

### LED signaling

Status display	Yellow LED
Status display present	yes

### Connector

Insertion/withdrawal cycles	50 (Valve connector)
-----------------------------	----------------------

### Header 1

Head design	Valve connector A
-------------	-------------------

### Dimensions

#### External dimensions

Outside diameter	6 mm ... 8 mm
------------------	---------------

### Material specifications

Color	black
Flammability rating according to UL 94	HB
Material housing valve plug	PA

# Valve connectors - SACC-V-3CON-PG9/A-1L-S



1671137

<https://www.phoenixcontact.com/pc/products/1671137>

Contact material	CuSn
Valve plug contact insert material	PBT
Contact surface material	Ag

## Environmental and real-life conditions

### Ambient conditions

Degree of protection	IP65
Ambient temperature (operation)	-25 °C ... 60 °C (valve plug)

## Standards and regulations

### Valve connector

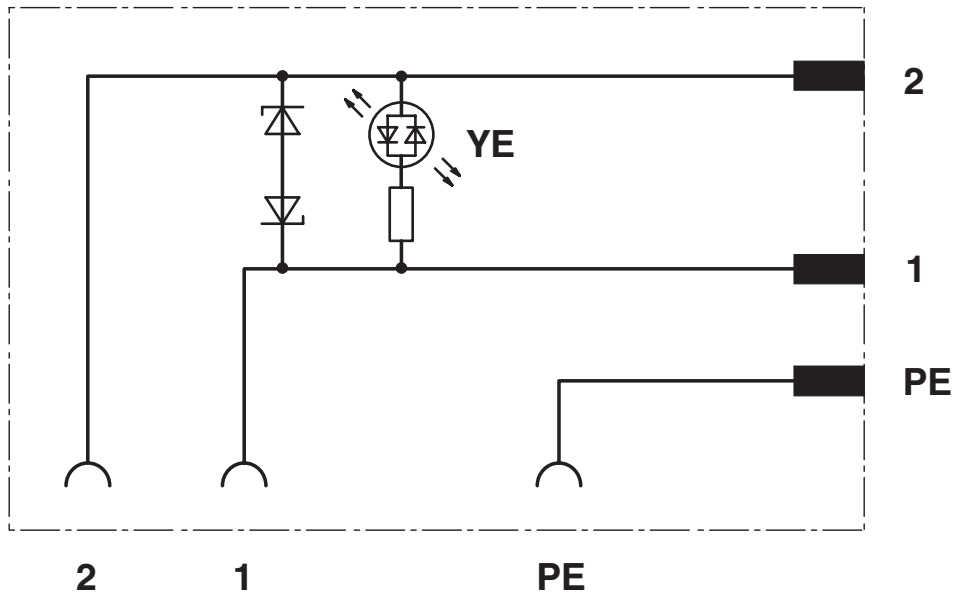
Standards/specifications	EN 175301-803
--------------------------	---------------

1671137

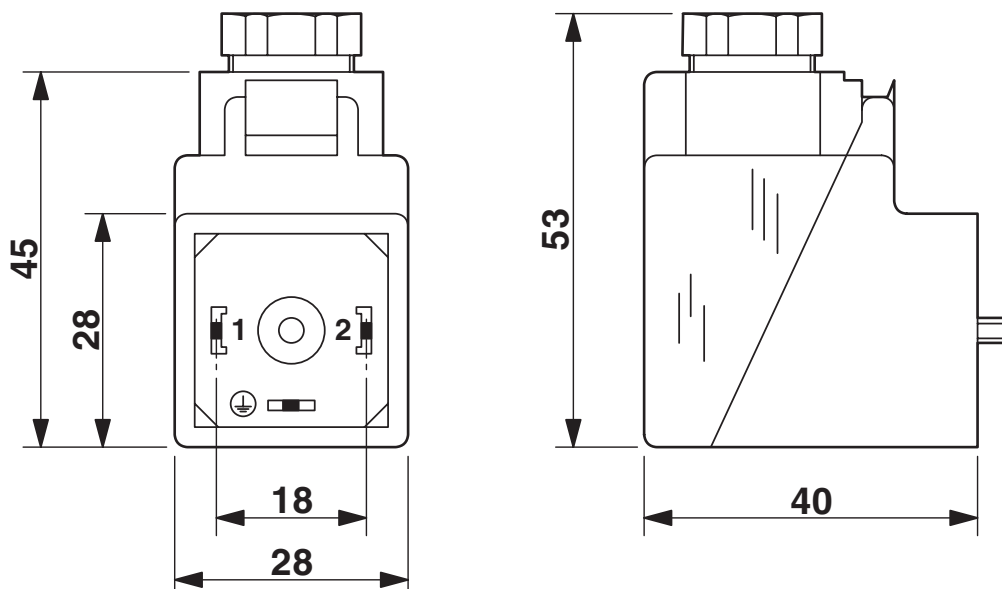
<https://www.phoenixcontact.com/pc/products/1671137>

## Drawings

Circuit diagram



Dimensional drawing



# Valve connectors - SACC-V-3CON-PG9/A-1L-S



1671137

<https://www.phoenixcontact.com/pc/products/1671137>

## Approvals



**EAC**

Approval ID: RU C-DE.BL08.B.00511

# Valve connectors - SACC-V-3CON-PG9/A-1L-S



1671137

<https://www.phoenixcontact.com/pc/products/1671137>

## Classifications

### ECLASS

ECLASS-9.0	27440105
ECLASS-10.0.1	27440105
ECLASS-11.0	27440105

### ETIM

ETIM 8.0	EC003623
----------	----------

### UNSPSC

UNSPSC 21.0	31251500
-------------	----------

# Valve connectors - SACC-V-3CON-PG9/A-1L-S



1671137

<https://www.phoenixcontact.com/pc/products/1671137>

## Environmental Product Compliance

REACH SVHC	Lead 7439-92-1
China RoHS	Environmentally Friendly Use Period = 25;
	For information on hazardous substances, refer to the manufacturer's declaration available under "Downloads"



# Valve connectors - SACC-V-3CON-PG9/A-1L-S



1671137

<https://www.phoenixcontact.com/pc/products/1671137>

## Accessories

### Cable reel

Cable reel - SAC-3P-100,0-PUR/0,5 - 1457393

<https://www.phoenixcontact.com/pc/products/1457393>

By the meter, Cable reel, PUR halogen-free, black-gray RAL 7021, 3-wire, color single wire: black 1, black 2, green/yellow, cable length: 100 m



---

Phoenix Contact 2022 © - all rights reserved  
<https://www.phoenixcontact.com>

PHOENIX CONTACT GmbH & Co. KG  
Flachsmarktstraße 8  
D-32825 Blomberg  
+49 (0) 5235-3 00  
[info@phoenixcontact.com](mailto:info@phoenixcontact.com)