

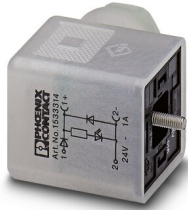
# Valve connectors - SACC-V-3CON-PG9/A-PFL 12/24



1533314

<https://www.phoenixcontact.com/pc/products/1533314>

Please be informed that the data shown in this PDF document is generated from our Online Catalog. Please find the complete data in the user documentation. Our General Terms of Use for Downloads are valid.



Valve connectors, Universal, 3-position, Valve connector A, with 1 LED, connected with Freewheeling diode, Screw connection, cable gland Pg9, external cable diameter 6 mm ... 8 mm

# Valve connectors - SACC-V-3CON-PG9/A-PFL 12/24



1533314

<https://www.phoenixcontact.com/pc/products/1533314>

## Commercial Data

Item number	1533314
Packing unit	1 pc
Minimum order quantity	1 pc
Product Key	BF2DAA
Catalog Page	Page 110 (PC-2009)
GTIN	4046356026000
Weight per Piece (including packing)	30.3 g
Weight per Piece (excluding packing)	30.3 g
Customs tariff number	85366990
Country of origin	HU

1533314

<https://www.phoenixcontact.com/pc/products/1533314>

## Technical Data

### Notes

Assembly instruction:

**NOTE:** Observe the permissible bending radii when laying conductors, since the degree of protection may be put in jeopardy if the bending forces are too high. Alleviate mechanical loads upstream of the connector, e.g. by using cable ties.

### Product properties

Product type	Valve connector
Number of positions	3
No. of cable outlets	1
Shielded	no
Pg screw connection	Pg9

### Insulation characteristics

Overvoltage category	II
Degree of pollution	3

### Electrical properties

Contact resistance	≤ 15 mΩ
Insulation resistance	> 100 MΩ
Nominal voltage $U_N$	24 V AC 24 V DC
Nominal current $I_N$	1 A
Protective circuit	Surge protection; Damping diode

### LED signaling

Status display	1 LED
Status display present	yes

### Connector

Insertion/withdrawal cycles	50 (Valve connector)
-----------------------------	----------------------

### Header 1

Head design	Valve connector A
-------------	-------------------

### Dimensions

#### External dimensions

Outside diameter	6 mm ... 8 mm
------------------	---------------

### Material specifications

Color	black
Flammability rating according to UL 94	HB
Sealing material	NBR

# Valve connectors - SACC-V-3CON-PG9/A-PFL 12/24



1533314

<https://www.phoenixcontact.com/pc/products/1533314>

Material housing valve plug	PA6
Contact material	CuSn
Valve plug contact insert material	PA6
Contact surface material	Ni

## Environmental and real-life conditions

### Ambient conditions

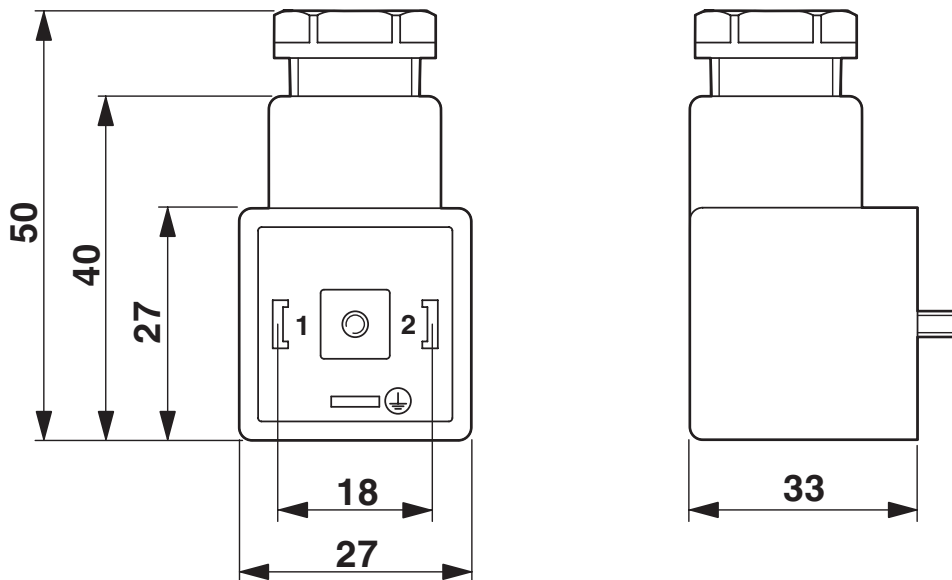
Degree of protection	IP65
Ambient temperature (operation)	-25 °C ... 85 °C (valve plug)

1533314

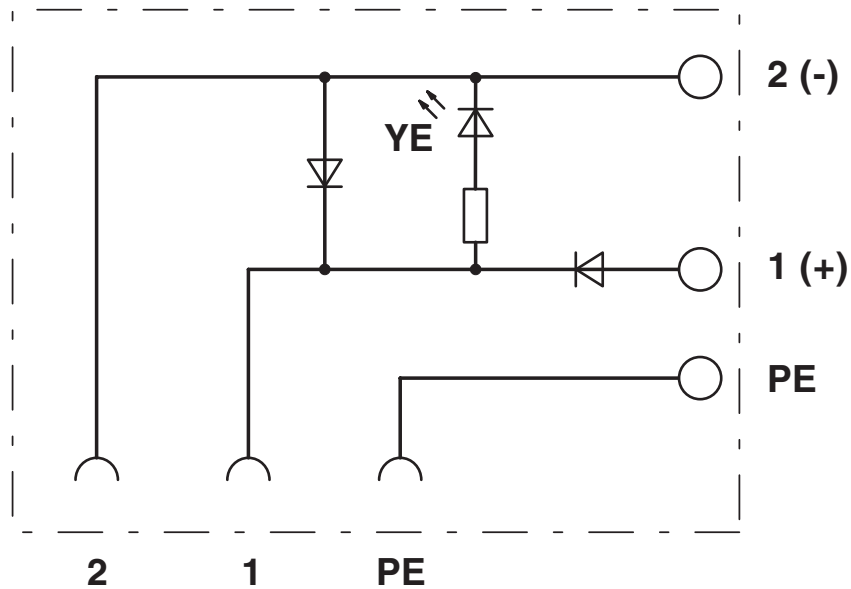
<https://www.phoenixcontact.com/pc/products/1533314>

## Drawings

Dimensional drawing



Circuit diagram



1533314

<https://www.phoenixcontact.com/pc/products/1533314>

## Classifications

### ECLASS

ECLASS-9.0	27440105
ECLASS-10.0.1	27440105
ECLASS-11.0	27440105

### ETIM

ETIM 8.0	EC003623
----------	----------

### UNSPSC

UNSPSC 21.0	31251500
-------------	----------

1533314

<https://www.phoenixcontact.com/pc/products/1533314>

## Environmental Product Compliance

REACH SVHC	Lead 7439-92-1
China RoHS	Environmentally Friendly Use Period = 50 years
	For information on hazardous substances, refer to the manufacturer's declaration available under "Downloads"

Phoenix Contact 2022 © - all rights reserved

<https://www.phoenixcontact.com>

PHOENIX CONTACT GmbH & Co. KG

Flachsmarktstraße 8

D-32825 Blomberg

+49 (0) 5235-3 00

[info@phoenixcontact.com](mailto:info@phoenixcontact.com)