

T distributor - SAC-5PT-FB/2XMB PBDP SH



1424711

<https://www.phoenixcontact.com/pc/products/1424711>

Please be informed that the data shown in this PDF document is generated from our Online Catalog. Please find the complete data in the user documentation. Our General Terms of Use for Downloads are valid.



T distributor, PROFIBUS DP (12 Mbps), 5-position, shielded, Socket straight M12, coding: B - inverse, on Plug straight M12, coding: B - inverse and Plug straight M12, coding: B - inverse

Your advantages

- Safe use in the field, thanks to a high degree of protection
- Reliable signal transmission – 360° shielding in environments with electromagnetic interference

Commercial Data

Item number	1424711
Packing unit	1 pc
Minimum order quantity	1 pc
Product Key	BF1GAA
Catalog Page	Page 436 (C-2-2019)
GTIN	4055626376745
Weight per Piece (including packing)	49.4 g
Weight per Piece (excluding packing)	49.4 g
Customs tariff number	85366990
Country of origin	DE

T distributor - SAC-5PT-FB/2XMB PBDP SH



1424711

<https://www.phoenixcontact.com/pc/products/1424711>

Technical Data

Product properties

Product type	T-distributor
Number of positions	5
No. of cable outlets	2
Shielded	yes
Coding	B - inverse
Thread type	M12

Insulation characteristics

Overvoltage category	II
Degree of pollution	3

Electrical properties

Nominal voltage U_N	48 V AC
	60 V DC
Nominal current I_N	1 A (Contact 2 and 4)
	4 A (Contact 1 and 3)
Transmission medium	Copper

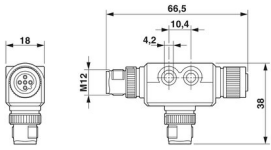
Interfaces

Signal type/category	PROFIBUS DP, 12 Mbps
----------------------	----------------------

LED signaling

Status display	No
Status display present	No

Dimensions

Dimensional drawing	
Height	18 mm
Length	66.5 mm

Material specifications

Color Handle area	black
Material	PBT (Female connector contact carrier)
	PA (Pin contact carrier)
Flammability rating according to UL 94	V0
Sealing material	NBR
Material of grip body	PBT

T distributor - SAC-5PT-FB/2XMB PBDP SH



1424711

<https://www.phoenixcontact.com/pc/products/1424711>

Contact material	CuZn (pin) / CuSn (socket)
Contact surface material	Ni/Au
Cable gland material	Zinc die-cast, nickel-plated

Connector

Connection 1

Head design	Socket
Head cable outlet	straight
Head thread type	M12
Coding	B - inverse

Connection 2

Head design	Plug
Head cable outlet	straight
Head thread type	M12
Coding	B - inverse

Cable / line

Signal type/category	PROFIBUS DP, 12 Mbps
----------------------	----------------------

Mechanical properties

Mechanical data

Insertion/withdrawal cycles	≥ 100
-----------------------------	-------

Environmental and real-life conditions

Ambient conditions

Degree of protection	IP65
Ambient temperature (operation)	-25 °C ... 85 °C (Plug / socket)

Standards and regulations

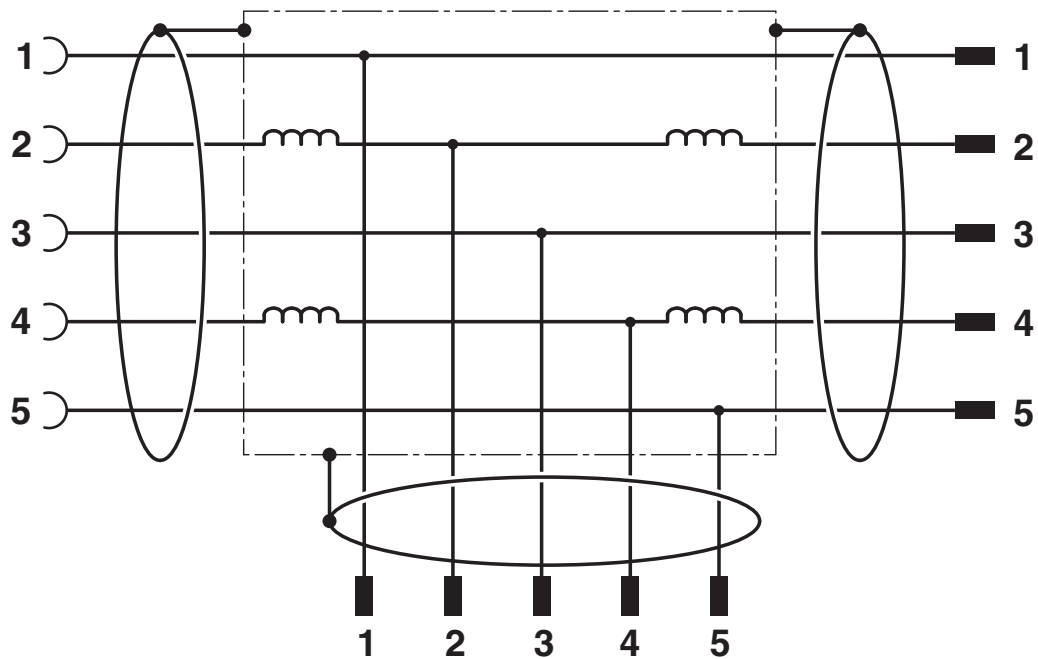
Standards/specifications	according to IEC 61076-2-101
--------------------------	------------------------------

1424711

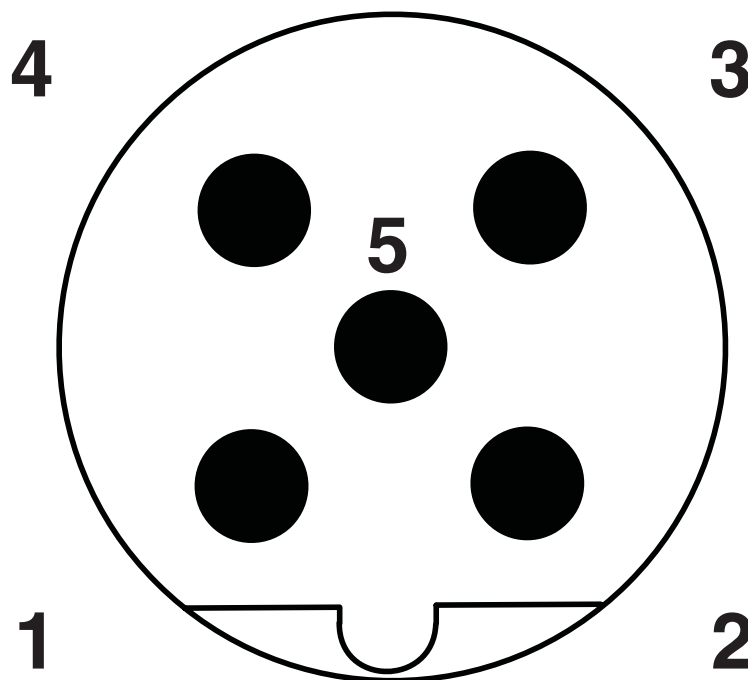
<https://www.phoenixcontact.com/pc/products/1424711>

Drawings

Circuit diagram



Schematic diagram



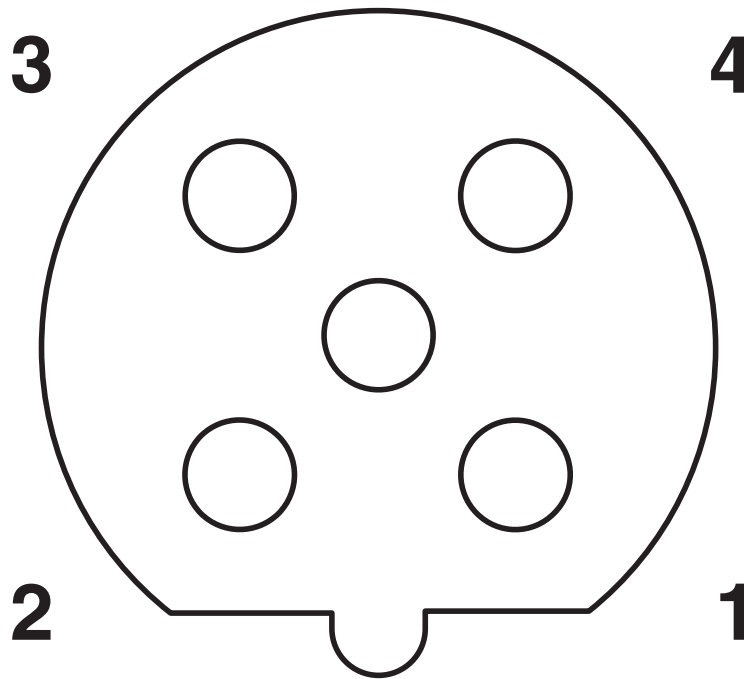
Pin assignment M12 male connector, 5-pos., B-coded, male side

T distributor - SAC-5PT-FB/2XMB PBDP SH

1424711

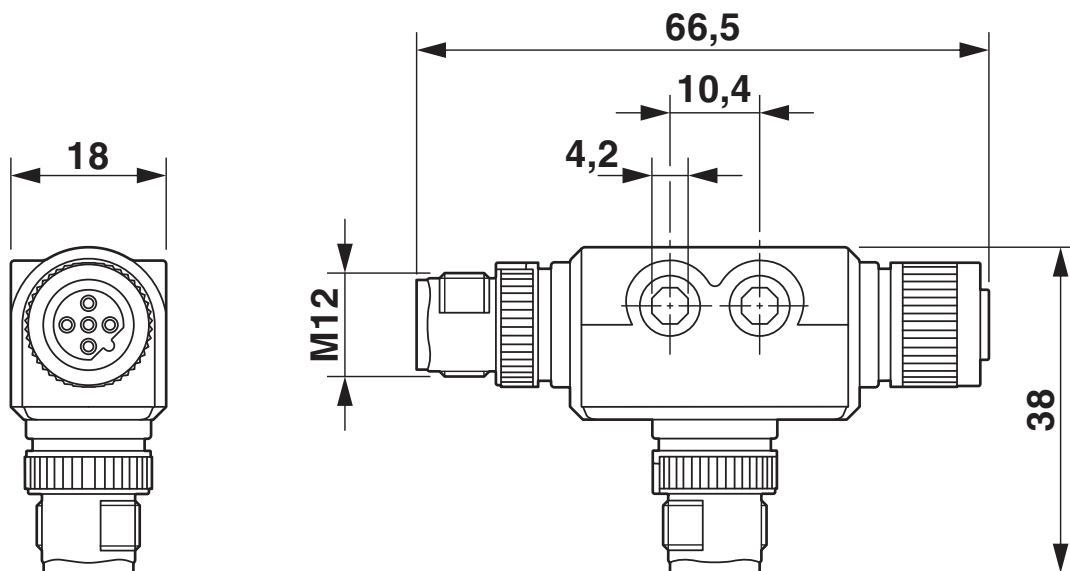
<https://www.phoenixcontact.com/pc/products/1424711>

Schematic diagram



Pin assignment M12 socket, 5-pos., B-coded, female side

Dimensional drawing



M12 T distributor

T distributor - SAC-5PT-FB/2XMB PBDP SH



1424711

<https://www.phoenixcontact.com/pc/products/1424711>

Classifications

ECLASS

ECLASS-9.0	27440106
ECLASS-10.0.1	27440106
ECLASS-11.0	27440106
ECLASS-12.0	27440106

ETIM

ETIM 8.0	EC002925
----------	----------

UNSPSC

UNSPSC 21.0	31251500
-------------	----------

T distributor - SAC-5PT-FB/2XMB PBDP SH



1424711

<https://www.phoenixcontact.com/pc/products/1424711>

Environmental Product Compliance

China RoHS	Environmentally friendly use period: unlimited = EFUP-e
	No hazardous substances above threshold values

T distributor - SAC-5PT-FB/2XMB PBDP SH

1424711

<https://www.phoenixcontact.com/pc/products/1424711>

Accessories

Torque screwdriver

Torque screwdriver - TSD 04 SAC - 1208429

<https://www.phoenixcontact.com/pc/products/1208429>



Torque screwdriver, with preset torque of 0.4 Nm and 4 mm hexagonal drive for M12 connectors

Tool

Tool - SAC BIT M12-D15 - 1208432

<https://www.phoenixcontact.com/pc/products/1208432>



Nut for assembling sensor/actuator cables with M12 connector and M12 connectors for assembly, with a knurl diameter of 15 mm, for 4 mm hexagonal drive

T distributor - SAC-5PT-FB/2XMB PBDP SH

1424711

<https://www.phoenixcontact.com/pc/products/1424711>

Screw plug

Screw plug - PROT-M12 SH - 1503302

<https://www.phoenixcontact.com/pc/products/1503302>



An M12 screw plug for the unoccupied M12 sockets of the shielded sensor/actuator cable, boxes and flush-type connectors

Screw plug

Screw plug - PROT-M12 - 1680539

<https://www.phoenixcontact.com/pc/products/1680539>



An M12 screw plug for the unoccupied M12 sockets of the sensor/actuator cable, boxes and flush-type connectors

T distributor - SAC-5PT-FB/2XMB PBDP SH

1424711

<https://www.phoenixcontact.com/pc/products/1424711>

Sealing cap

Sealing cap - PROT-M12 FS - 1560251

<https://www.phoenixcontact.com/pc/products/1560251>



M12 sealing cap for unoccupied M12 plugs of the sensor/actuator cable, flush-type plugs and I/O devices in the field

Screw plug

Screw plug - PROT-M12 MS-PA-CHAIN - 1430899

<https://www.phoenixcontact.com/pc/products/1430899>



M12 sealing cap with fixing band, for sensor cables, for free M12 sockets

T distributor - SAC-5PT-FB/2XMB PBDP SH



1424711

<https://www.phoenixcontact.com/pc/products/1424711>

Sealing cap

Sealing cap - PROT-M12 FS-PA-CHAIN - 1430873

<https://www.phoenixcontact.com/pc/products/1430873>

M12 sealing cap made of plastic with fixing band, for sensor cables, for free M12 plugs



Phoenix Contact 2022 © - all rights reserved

<https://www.phoenixcontact.com>

PHOENIX CONTACT GmbH & Co. KG

Flachsmarktstraße 8

D-32825 Blomberg

+49 (0) 5235-3 00

info@phoenixcontact.com