

# Data connector - SACC-M12MSB-5PL SH IB



1424674

<https://www.phoenixcontact.com/pc/products/1424674>

Please be informed that the data shown in this PDF document is generated from our Online Catalog. Please find the complete data in the user documentation. Our General Terms of Use for Downloads are valid.

---



Data connector, INTERBUS (500 kbps), 5-position, shielded, Plug straight M12, Coding: B, Push-lock spring connection, knurl material: Zinc die-cast, nickel-plated, external cable diameter 4 mm ... 8 mm

---

## Your advantages

- Time-saving Push-Lock connection: Tool-free connection and disconnection of conductors by opening the contact levers
- Intuitive connection: Easy assignment of individual litz wires with color-coded and numerical identification of the contact levers
- Integrated Push-in Technology: Wire rigid and pretreated conductors easily by means of simple, direct insertion
- Shock- and vibration-resistant connection: Proven spring-cage technology guarantees secure and reliable contacting
- Safely shielded: Reliable 360° shield connection even under extreme mechanical strain

# Data connector - SACC-M12MSB-5PL SH IB



1424674

<https://www.phoenixcontact.com/pc/products/1424674>

## Commercial Data

Item number	1424674
Packing unit	1 pc
Minimum order quantity	1 pc
Product Key	BF2CFB
Catalog Page	Page 201 (C-6-2019)
GTIN	4055626376011
Weight per Piece (including packing)	37.3 g
Weight per Piece (excluding packing)	37.3 g
Customs tariff number	85366990
Country of origin	DE

1424674

<https://www.phoenixcontact.com/pc/products/1424674>

## Technical Data

### Notes

Assembly instruction:

**NOTE:** Observe the permissible bending radii when laying conductors, since the degree of protection may be put in jeopardy if the bending forces are too high. Alleviate mechanical loads upstream of the connector, e.g. by using cable ties.

### Product properties

Product type	Circular connector (cable-side)
Number of positions	5
No. of cable outlets	1
Shielded	yes
Coding	B - inverse
Cable outlet	straight

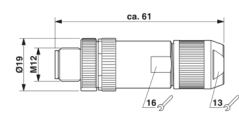
### Insulation characteristics

Overvoltage category	II
Degree of pollution	3

### Ambient conditions

Degree of protection	IP65 IP67
Ambient temperature (operation)	-40 °C ... 85 °C (Plug / socket)

### Dimensions

Dimensional drawing	
Length	60 mm

### External dimensions

Outside diameter	4 mm ... 8 mm
------------------	---------------

### Housing

Diameter housing	19 mm
------------------	-------

### Connector

Insertion/withdrawal cycles	≥ 100
-----------------------------	-------

### Header 1

Head design	Plug
Head cable outlet	straight
Head thread type	M12

# Data connector - SACC-M12MSB-5PL SH IB



1424674

<https://www.phoenixcontact.com/pc/products/1424674>

Coding	B-coded
Number of positions	5
Coding	B - inverse
Insertion/withdrawal cycles	≥ 100
Connection method	Push-lock spring connection
Contact material	CuSn
Contact surface material	Ni/Au
Number of positions	5
Coding	B - inverse
Insertion/withdrawal cycles	≥ 100
Connection method	Push-lock spring connection
Contact material	CuSn
Contact surface material	Ni/Au

## Electrical properties

Rated surge voltage	1.5 kV
Contact resistance	≤ 5 mΩ
Insulation resistance	≥ 100 MΩ
Nominal voltage $U_N$	48 V AC
	60 V DC
Nominal current $I_N$	4 A (2 A when using 0.14 mm <sup>2</sup> conductors)

## Material specifications

Material	TPE-U (Clamping cage, weight: 1.1 g)
	PA 6 (Actuation lever)
Flammability rating according to UL 94	V0
Sealing material	NBR
Material of grip body	Zinc die-cast, nickel-plated
Contact material	CuSn
Contact surface material	Ni/Au
Contact carrier material	PA 6.6
Cable gland material	Zinc die-cast, nickel-plated
Standards/regulations	PA 6.6: Fire protection in rail vehicles - requirement sets R22, R23, R24, R25, and R26 acc. to DIN EN 45545-2 (Risk level HL1 - HL3)
	PA 6: Fire protection in rail vehicles - requirement sets R22, R23, and R24 acc. to DIN EN 45545-2 (Risk level HL1 - HL3)

## Connection data

### Conductor connection

Connection method	Push-lock spring connection
Conductor cross section flexible	0.14 mm <sup>2</sup> ... 0.75 mm <sup>2</sup>
Cross section AWG	26 ... 18

### Pin assignment

# Data connector - SACC-M12MSB-5PL SH IB



1424674

<https://www.phoenixcontact.com/pc/products/1424674>

Contact   Color (signal designation)   Contact (optional)	1 = YE
	2 = GN
	3 = GY
	4 = PK
	5 = BN

## Mounting

Assembly instructions	The wires can be connected both with ferrules and without ferrules
-----------------------	--

## Standards and regulations

### Testing

Standards/regulations	PA 6.6: Fire protection in rail vehicles - requirement sets R22, R23, R24, R25, and R26 acc. to DIN EN 45545-2 (Risk level HL1 - HL3)
	PA 6: Fire protection in rail vehicles - requirement sets R22, R23, and R24 acc. to DIN EN 45545-2 (Risk level HL1 - HL3)

### M12

Standards/specifications	IEC 61076-2-101
--------------------------	-----------------

### M12

Standards/specifications	EN 50155:2001
--------------------------	---------------

## Cable / line

### Cable structure

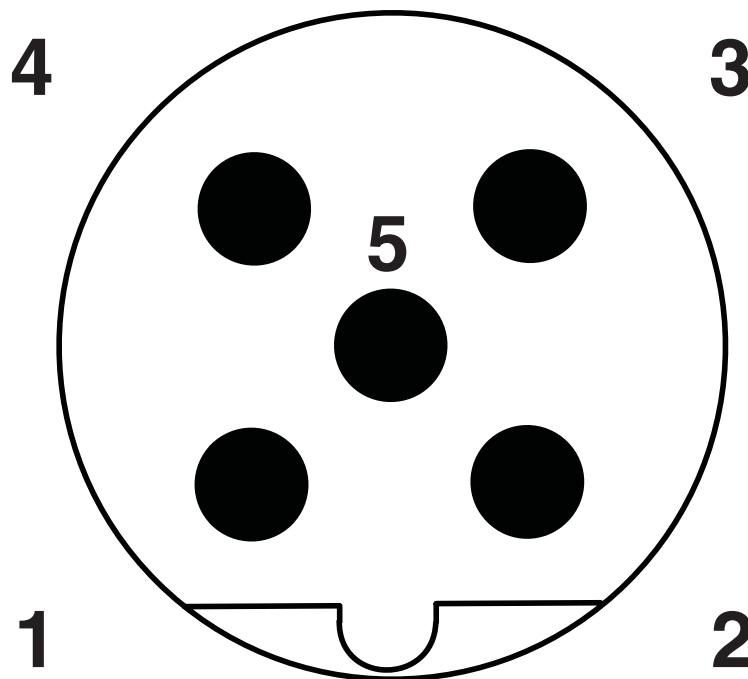
Signal type/category	INTERBUS, 500 kbps
Stripping length of the individual wire	7 mm

1424674

<https://www.phoenixcontact.com/pc/products/1424674>

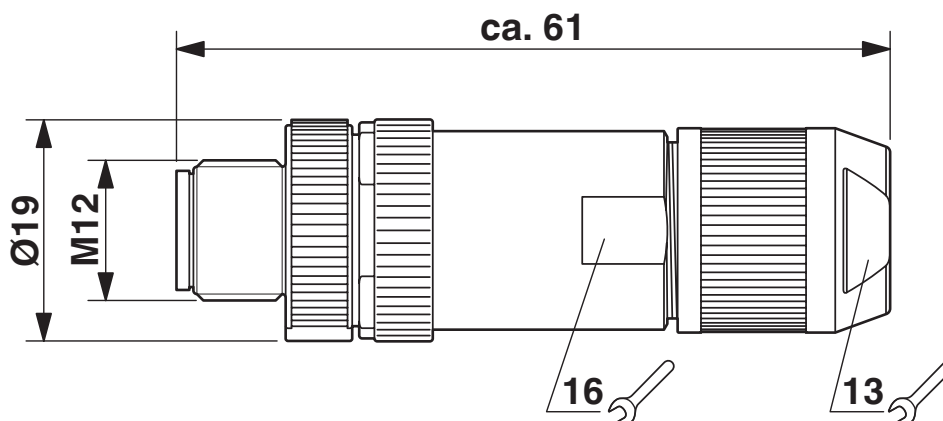
## Drawings

Schematic diagram



Pin assignment M12 male connector, 5-pos., B-coded, male side

Dimensional drawing



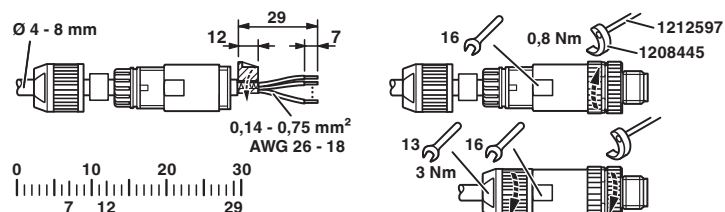
M12 SPEEDCON plug, straight, shielded

# Data connector - SACC-M12MSB-5PL SH IB

1424674

<https://www.phoenixcontact.com/pc/products/1424674>

## Functional drawing



Slide the pressure nut and sleeve housing along the cable, strip the cable, shorten the shield, strip the single wires, connect the wires, in the case of a straight sleeve housing gently twist the wires together, stick the shielding foil around the shortened shield, in the case of a cable outside diameter < 6 mm stick an additional shielding foil around the wire pack, screw the sleeve housing to the plug insert, screw the pressure nut tight.

# Data connector - SACC-M12MSB-5PL SH IB



1424674

<https://www.phoenixcontact.com/pc/products/1424674>

## Approvals



**EAC**

Approval ID: RU C-DE.AI30.B.01102



**EAC**

Approval ID: RU C-DE.BL08.B.00511



**UL Listed**

Approval ID: E221474

	Nominal Voltage $U_N$	Nominal Current $I_N$	Cross Section AWG	Cross Section $\text{mm}^2$
	60 V	4 A	-	26 - 18



**cUL Listed**

Approval ID: E221474

	Nominal Voltage $U_N$	Nominal Current $I_N$	Cross Section AWG	Cross Section $\text{mm}^2$
	60 V	4 A	26 - 18	-

**cULus Listed**



1424674

<https://www.phoenixcontact.com/pc/products/1424674>

## Classifications

### ECLASS

ECLASS-9.0	27440102
ECLASS-10.0.1	27440102
ECLASS-11.0	27440102

### ETIM

ETIM 8.0	EC002635
----------	----------

### UNSPSC

UNSPSC 21.0	39121400
-------------	----------

# Data connector - SACC-M12MSB-5PL SH IB



1424674

<https://www.phoenixcontact.com/pc/products/1424674>

## Environmental Product Compliance

China RoHS	Environmentally friendly use period: unlimited = EFUP-e
	No hazardous substances above threshold values

1424674

<https://www.phoenixcontact.com/pc/products/1424674>

## Accessories

### Shielding foil

Shielding foil - ALU-SB - 1404531

<https://www.phoenixcontact.com/pc/products/1404531>

Shielding foil, for fixing the braided shield of shielded cables. Length: 4 cm, width: 1.2 cm



---

### Ferrule

Ferrule - AI 0,25- 6 YE - 3203024

<https://www.phoenixcontact.com/pc/products/3203024>

Ferrule, sleeve length: 6 mm, length: 10.5 mm, color: yellow



# Data connector - SACC-M12MSB-5PL SH IB



1424674

<https://www.phoenixcontact.com/pc/products/1424674>

## Ferrule

Ferrule - A 0,25- 7 - 3202478

<https://www.phoenixcontact.com/pc/products/3202478>



Ferrule, length: 7 mm, color: silver

---

## Ferrule

Ferrule - A 0,34- 7 - 3009202

<https://www.phoenixcontact.com/pc/products/3009202>



Ferrule, length: 7 mm, color: silver

# Data connector - SACC-M12MSB-5PL SH IB

1424674

<https://www.phoenixcontact.com/pc/products/1424674>

## Ferrule

Ferrule - A 0,5 - 6 - 3200218

<https://www.phoenixcontact.com/pc/products/3200218>

Ferrule, length: 6 mm, color: silver



---

## Ferrule

Ferrule - AI 0,5 - 6 WH - 3200687

<https://www.phoenixcontact.com/pc/products/3200687>

Ferrule, sleeve length: 6 mm, length: 12 mm, color: white



# Data connector - SACC-M12MSB-5PL SH IB



1424674

<https://www.phoenixcontact.com/pc/products/1424674>

## Bus system cable

Bus system cable - SAC-4P-950/... - 1543401

<https://www.phoenixcontact.com/pc/products/1543401>



Bus system cable, INTERBUS, 4-position halogen-free, shielded, free cable end, on free cable end, cable length: Free entry (0.5 ... 400 m)

---

## Stripping tool

Stripping tool - VS-CABLE-STRIP-VARIO - 1657407

<https://www.phoenixcontact.com/pc/products/1657407>

Stripping tool, for the multi-level stripping of shielded cables



# Data connector - SACC-M12MSB-5PL SH IB



1424674

<https://www.phoenixcontact.com/pc/products/1424674>

## Stripping tool

Stripping tool - WIREFOX 2,5 - 1212368

<https://www.phoenixcontact.com/pc/products/1212368>



Stripping tool, for conductors and cables with a conductor cross section from 0.08 to 2.5 mm, self-adjusting, stripping length adjustable up to 15 mm, cutting capacity up to 6 mm<sup>2</sup> stranded/1.5 mm<sup>2</sup> solid

---

## Torque screwdriver

Torque screwdriver - TSD 04 SAC - 1208429

<https://www.phoenixcontact.com/pc/products/1208429>



Torque screwdriver, with preset torque of 0.4 Nm and 4 mm hexagonal drive for M12 connectors

# Data connector - SACC-M12MSB-5PL SH IB



1424674

<https://www.phoenixcontact.com/pc/products/1424674>

## Torque screwdriver

Torque screwdriver - TSD 08 SAC - 1212597

<https://www.phoenixcontact.com/pc/products/1212597>



Torque screw driver with preset torque of 0.8 Nm, with 4 mm hexagon for accommodating SAC bits, two-component handle with non-slip grip

---

## Torque screwdriver

Torque screwdriver - TSD-M 1,2NM - 1212224

<https://www.phoenixcontact.com/pc/products/1212224>



Torque screw driver, accuracy as per EN ISO 6789 standard, adjustable from 0.3 - 1.2 Nm



# Data connector - SACC-M12MSB-5PL SH IB



1424674

<https://www.phoenixcontact.com/pc/products/1424674>

## Torque screwdriver

Torque screwdriver - TSD-M 3NM - 1212225

<https://www.phoenixcontact.com/pc/products/1212225>



Torque screw driver, accuracy as per EN ISO 6789 standard, adjustable from 1.2 - 3 Nm

---

## Adapter insert

Adapter insert - TSD-M SAC-BIT ADAPTER - 1212600

<https://www.phoenixcontact.com/pc/products/1212600>



Adapter bit for TSD-M...torque tools, E6.3-1/4" drive with 4 mm hexagon to accommodate SAC bits

# Data connector - SACC-M12MSB-5PL SH IB



1424674

<https://www.phoenixcontact.com/pc/products/1424674>

## Sealing cap

Sealing cap - PROT-M12 FS-PA-CHAIN - 1430873

<https://www.phoenixcontact.com/pc/products/1430873>

M12 sealing cap made of plastic with fixing band, for sensor cables, for free M12 plugs



---

## Crimping pliers

Crimping pliers - CRIMPFOX 6H - 1212046

<https://www.phoenixcontact.com/pc/products/1212046>

Crimping pliers, for ferrules without insulating collar according to DIN 46228 Part 1 and ferrules with insulating collar according to DIN 46228 Part 4, 0.14 mm<sup>2</sup> ... 6 mm<sup>2</sup>, unlockable pressure lock, lateral entry



# Data connector - SACC-M12MSB-5PL SH IB



1424674

<https://www.phoenixcontact.com/pc/products/1424674>

## Tool

Tool - SACC BIT M12-D20 - 1208445

<https://www.phoenixcontact.com/pc/products/1208445>

Nut for assembling M12 connectors for assembly with a knurl diameter of 20 mm, for 4 mm hexagonal drive



---

Phoenix Contact 2022 © - all rights reserved

<https://www.phoenixcontact.com>

PHOENIX CONTACT GmbH & Co. KG

Flachsmarktstraße 8

D-32825 Blomberg

+49 (0) 5235-3 00

[info@phoenixcontact.com](mailto:info@phoenixcontact.com)