

Connector hood - SACB-C-H180-4/ 8-10,0PUR SCO P



1453096

<https://www.phoenixcontact.com/de/produkte/1453096>

Please be informed that the data shown in this PDF document is generated from our Online Catalog. Please find the complete data in the user documentation. Our General Terms of Use for Downloads are valid.



Connector hood, application: Sensor/actuator box, connection method: M12-SPEEDCON-socket Plastic, number of slots: 4, slot assignment: Double, status display: No; master cable connection: Pluggable screw connection 180°, PUR/PVC, cable length: 10 m, shielding: no

Connector hood - SACB-C-H180-4/ 8-10,0PUR SCO P



1453096

<https://www.phoenixcontact.com/de/produkte/1453096>

Commercial Data

Item number	1453096
Packing unit	1 pc
Minimum order quantity	1 pc
Sales Key	C1 - Sensor-Aktor-Kabel
Product Key	BF3CBG
Catalog Page	Page 263 (C-2-2019)
GTIN	4046356553162
Weight per Piece (including packing)	1.322 g
Weight per Piece (excluding packing)	1.296,7 g
Customs tariff number	85444290
Country of origin	DE

1453096

<https://www.phoenixcontact.com/de/produkte/1453096>

Technical Data

Notes

Assembly instruction:	NOTE: Observe the permissible bending radii when laying conductors, since the degree of protection may be put in jeopardy if the bending forces are too high. Alleviate mechanical loads upstream of the connector, e.g. by using cable ties.
-----------------------	--

Product properties

Product type	Connector hood with master cable
Application	Sensor/actuator box
Number of slots	4

Electrical properties

Nominal voltage U_N	120 V AC
	120 V DC
Rated current, total	10 A
Max. current carrying capacity per path	2 A
Current carrying capacity per slot	4 A

Connection data

Pin assignment

Slot/position = Wire color or connection	1 / 4 (A) = WH
	1 / 2 (B) = GYPK
	2 / 4 (A) = GN
	2 / 2 (B) = RDBU
	3 / 4 (A) = YE
	3 / 2 (B) = WHGN
	4 / 4 (A) = GY
	4 / 2 (B) = BNGN
	1-4 / 1 (+ 120 V) = BN
	1-4 / 3 (0 V) = BU
1-4 / 5 (PE) = GNYE	

LED signaling

Status display present	No
------------------------	----

Dimensions

Connector hood - SACB-C-H180-4/ 8-10,0PUR SCO P



1453096

<https://www.phoenixcontact.com/de/produkte/1453096>

Dimensional drawing	
Width	54 mm
Height	25 mm
Length	34 mm

Material specifications

Color	anthracite
Sealing material	NBR
Material of contact, master cable side	CU alloy
Material of the contact carrier on the master cable side	PA
Material of contact surface, master cable side	Sn
Housing material	PBT

Cable / line

Cable length	10 m
Cable weight	122 kg/km
UL AWM Style	20549
Number of positions	11
Shielded	no
Cable type	PUR/PVC black [PUR]
Conductor structure signal line	28x 0.15 mm
AWG signal line	20
Conductor cross section	8x 0.5 mm ² (Signal line) 3x 1 mm ² (power line)
Wire diameter incl. insulation	1.5 mm ±0.1 mm (Signal line) 2.1 mm ±0.1 mm (power line)
External cable diameter	8.7 mm ±0.2 mm
Outer sheath, material	PUR
External sheath, color	black RAL 9005
Conductor material	Bare Cu litz wires
Material wire insulation	PVC
Single wire, color	brown, blue, green/yellow, white, green, yellow, gray, gray/pink, red/blue, white/green, brown/green
Inner sheath thickness	≥ 0.15 mm
Thickness, outer sheath	≥ 0.38 mm
Overall twist	Wires twisted in layers
Nominal voltage, cable	300 V

Connector hood - SACB-C-H180-4/ 8-10,0PUR SCO P



1453096

<https://www.phoenixcontact.com/de/produkte/1453096>

Test voltage	2000 V
Minimum bending radius, fixed installation	7.5 x D
Minimum bending radius, flexible installation	10 x D
Max. bending cycles	1500000
Flame resistance	DIN EN 50265
Resistance to oil	according to VDE 0472 Part 803
Other resistance	Highly resistant to acids, alkaline solutions and solvents
Special properties	Silicone-free
Ambient temperature (operation)	-40 °C ... 90 °C (cable, fixed installation) -5 °C ... 80 °C (Cable, flexible installation) 80 °C (in acc. with UL)

Cable structure

Cable type	Master cable suitable for flexible cable conduit
------------	--

Master cable data/connection data

Sensor/actuator connection system	M12-SPEEDCON-socket
Connection method	Pluggable screw connection
Tightening torque, cover screw	1 Nm
Tightening torque, union nut	2.5 Nm

Ambient conditions

Ambient temperature (operation)	-40 °C ... 90 °C (for fixed installation) -5 °C ... 80 °C (for flexible installation)
---------------------------------	--

Environmental and real-life conditions

Ambient conditions

Degree of protection	IP65 IP67
Ambient temperature (operation)	-25 °C ... 80 °C

Connector hood - SACB-C-H180-4/ 8-10,0PUR SCO P

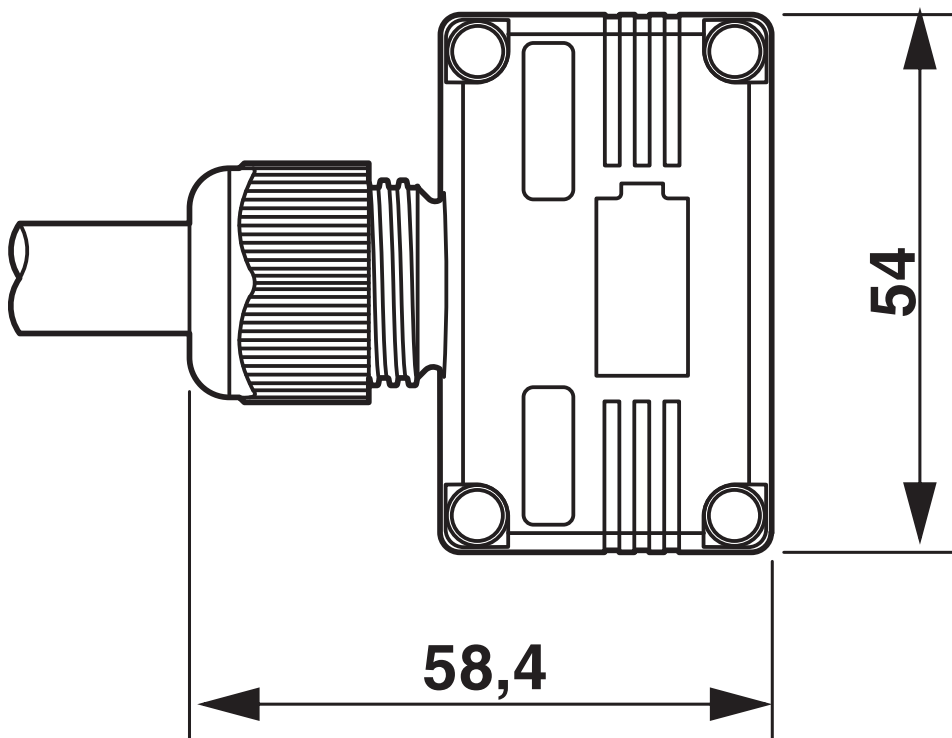
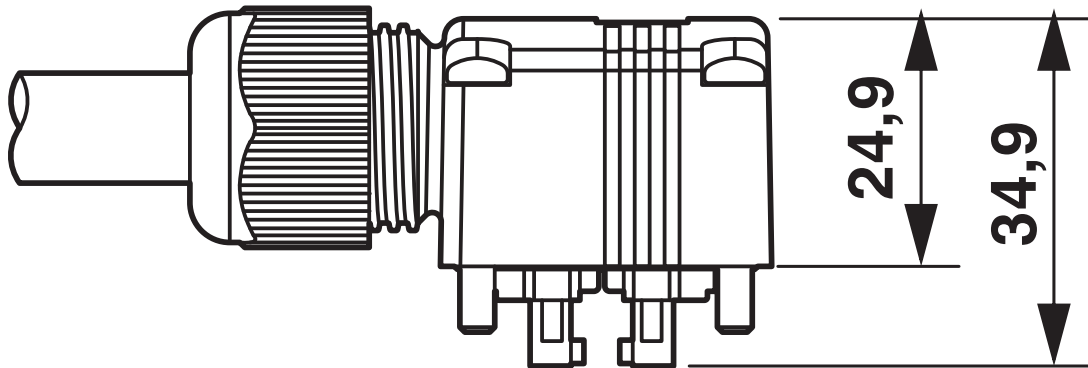


1453096

<https://www.phoenixcontact.com/de/produkte/1453096>

Drawings

Dimensional drawing



Connector hood - SACB-C-H180-4/ 8-10,0PUR SCO P




1453096

<https://www.phoenixcontact.com/de/produkte/1453096>

Approvals

 cUL Recognized Approval ID: FILE E 118976	Nominal Voltage U_N	Nominal Current I_N	Cross Section AWG	Cross Section mm^2
			-	-

 UL Recognized Approval ID: FILE E 118976	Nominal Voltage U_N	Nominal Current I_N	Cross Section AWG	Cross Section mm^2
			-	-

 EAC Approval ID: RU C-DE.BL08.B.00286

 EAC Approval ID: RU C-DE.BL08.B.00511

cULus Recognized

1453096

<https://www.phoenixcontact.com/de/produkte/1453096>

Classifications

ECLASS

ECLASS-9.0	27440108
ECLASS-10.0.1	27440108
ECLASS-11.0	27440108

ETIM

ETIM 8.0	EC002585
----------	----------

UNSPSC

UNSPSC 21.0	31251500
-------------	----------

Connector hood - SACB-C-H180-4/ 8-10,0PUR SCO P



1453096

<https://www.phoenixcontact.com/de/produkte/1453096>

Environmental Product Compliance

REACH SVHC	Lead 7439-92-1
China RoHS	Environmentally Friendly Use Period = 50 years
	For information on hazardous substances, refer to the manufacturer's declaration available under "Downloads"

Connector hood - SACB-C-H180-4/ 8-10,0PUR SCO P



1453096

<https://www.phoenixcontact.com/de/produkte/1453096>

Accessories

Sensor/actuator box header

Sensor/actuator box header - SACB-4/ 8-L-C GG SCO P - 1452877

<https://www.phoenixcontact.com/de/produkte/1452877>



Sensor/actuator box header, application: Standard, connection method: M12-SPEEDCON-socket Plastic, number of slots: 4, number of positions: 5, coding: A - standard, slot assignment: Double, status display: yes, pnp; master cable connection: Pluggable screw connection, shielding: no

Philips screwdriver

Philips screwdriver - SZK PZ2 VDE - 1206463

<https://www.phoenixcontact.com/de/produkte/1206463>



Screwdriver, PZ crosshead, VDE insulated, size: PZ 2 x 100 mm, 2-component grip, with non-slip grip

Connector hood - SACB-C-H180-4/ 8-10,0PUR SCO P



1453096

<https://www.phoenixcontact.com/de/produkte/1453096>

Master cable ring

Master cable ring - SACB- 8X0,5/ 3X1,0-50,0 PUR - 1503357

<https://www.phoenixcontact.com/de/produkte/1503357>



Master cable for sensor/actuator boxes, with PE conductor, unshielded, material PUR/PVC, 11-pos., 8 x 0.50 mm² and 3 x 1.00 mm², length: 50 m

Torque screwdriver

Torque screwdriver - TSD 25 SAC - 1212315

<https://www.phoenixcontact.com/de/produkte/1212315>



Torque screwdriver, with preset torque of 2.5 Nm and 4 mm hexagonal drive for the pressure nut of the connector hood

Connector hood - SACB-C-H180-4/ 8-10,0PUR SCO P



1453096

<https://www.phoenixcontact.com/de/produkte/1453096>

Master cable ring

Master cable ring - SACB-8X0,5/3X1,0-50,0 HPUR - 1401690

<https://www.phoenixcontact.com/de/produkte/1401690>



Master cable ring, application: Distributor boxes, number of positions: 11, cable length: 50 m

Torque screwdriver

Torque screwdriver - TSD-M 1,2NM - 1212224

<https://www.phoenixcontact.com/de/produkte/1212224>



Torque screw driver, accuracy as per EN ISO 6789 standard, adjustable from 0.3 - 1.2 Nm

Connector hood - SACB-C-H180-4/ 8-10,0PUR SCO P



1453096

<https://www.phoenixcontact.com/de/produkte/1453096>

Torque screwdriver

Torque screwdriver - TSD-M 3NM - 1212225

<https://www.phoenixcontact.com/de/produkte/1212225>



Torque screw driver, accuracy as per EN ISO 6789 standard, adjustable from 1.2 - 3 Nm

Tool

Tool - SAC BIT HOOD-W 24 - 1212486

<https://www.phoenixcontact.com/de/produkte/1212486>



Nut for assembling pressure nuts with 24 mm wrench size, for 4 mm hexagonal drive

Connector hood - SACB-C-H180-4/ 8-10,0PUR SCO P



1453096

<https://www.phoenixcontact.com/de/produkte/1453096>

Adapter insert

Adapter insert - TSD-M SAC-BIT ADAPTER - 1212600

<https://www.phoenixcontact.com/de/produkte/1212600>



Adapter bit for TSD-M...torque tools, E6.3-1/4" drive with 4 mm hexagon to accommodate SAC bits

Screw insert

Screw insert - SF-BIT-PZ 2-50 - 1212592

<https://www.phoenixcontact.com/de/produkte/1212592>



Screw bit, PZ crosshead, E6.3-1/4" drive, size: PZ 2 x 50 mm, hardened, suitable for holder according to DIN 3126-F6.3/ISO 1173

Connector hood - SACB-C-H180-4/ 8-10,0PUR SCO P



1453096

<https://www.phoenixcontact.com/de/produkte/1453096>

Snap-in markers

Snap-in markers - UC-EM (17,5X9) - 0827490

<https://www.phoenixcontact.com/de/produkte/0827490>



Snap-in markers, Sheet, white, unlabeled, can be labeled with: BLUEMARK ID, BLUEMARK ID COLOR, BLUEMARK CLED, BLUEMARK LED, CMS-P1-PLOTTER, PLOTMARK, mounting type: snapped, lettering field size: 17.5 x 9 mm, Number of individual labels: 20

Snap-in markers

Snap-in markers - UC-EM (17,5X9) CUS - 0828238

<https://www.phoenixcontact.com/de/produkte/0828238>



Snap-in markers, can be ordered: by sheet, white, labeled according to customer specifications, mounting type: snapped into marker carrier, lettering field size: 17.5 x 9 mm, Number of individual labels: 20

Connector hood - SACB-C-H180-4/ 8-10,0PUR SCO P



1453096

<https://www.phoenixcontact.com/de/produkte/1453096>

Snap-in markers

Snap-in markers - UCT-EM (17,5X9) - 0801491

<https://www.phoenixcontact.com/de/produkte/0801491>



Snap-in markers, Sheet, white, unlabeled, can be labeled with: TOPMARK NEO, TOPMARK LASER, BLUEMARK ID COLOR, BLUEMARK ID, BLUEMARK CLED, THERMOMARK PRIME, THERMOMARK CARD 2.0, THERMOMARK CARD, mounting type: snapped, lettering field size: 17.5 x 9 mm, Number of individual labels: 24

Snap-in markers

Snap-in markers - UCT-EM (17,5X9) CUS - 0801575

<https://www.phoenixcontact.com/de/produkte/0801575>



UniCard sheet, for labeling devices from other manufacturers, for overview table see download area, labeled according to customer specifications

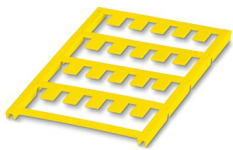
1453096

<https://www.phoenixcontact.com/de/produkte/1453096>

Snap-in markers

Snap-in markers - UC-EM (17,5X9) YE - 0827494

<https://www.phoenixcontact.com/de/produkte/0827494>

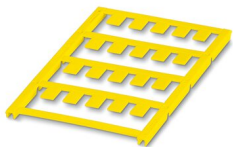


Snap-in markers, Sheet, yellow, unlabeled, can be labeled with: BLUEMARK ID COLOR, BLUEMARK ID, BLUEMARK CLED, PLOTMARK, CMS-P1-PLOTTER, mounting type: snapped, lettering field size: 17.5 x 9 mm, Number of individual labels: 20

Snap-in markers

Snap-in markers - UC-EM (17,5X9) YE CUS - 0828239

<https://www.phoenixcontact.com/de/produkte/0828239>



Snap-in markers, can be ordered: by sheet, yellow, labeled according to customer specifications, mounting type: snapped into marker carrier, lettering field size: 17.5 x 9 mm, Number of individual labels: 20

Connector hood - SACB-C-H180-4/ 8-10,0PUR SCO P



1453096

<https://www.phoenixcontact.com/de/produkte/1453096>

Snap-in markers

Snap-in markers - UCT-EM (17,5X9) YE - 0801492

<https://www.phoenixcontact.com/de/produkte/0801492>



Snap-in markers, Sheet, yellow, unlabeled, can be labeled with: TOPMARK NEO, TOPMARK LASER, BLUEMARK ID COLOR, BLUEMARK ID, BLUEMARK CLED, THERMOMARK PRIME, THERMOMARK CARD 2.0, THERMOMARK CARD, mounting type: snapped, lettering field size: 17.5 x 9 mm, Number of individual labels: 24

Snap-in markers

Snap-in markers - UCT-EM (17,5X9) YE CUS - 0801576

<https://www.phoenixcontact.com/de/produkte/0801576>



UniCard sheet, for labeling devices from other manufacturers, for overview table see download area, labeled according to customer specifications

Phoenix Contact 2022 © - all rights reserved
<https://www.phoenixcontact.com>

PHOENIX CONTACT Deutschland GmbH
Flachsmarktstraße 8
D-32825 Blomberg
+49 52 35/3-1 20 00
info@phoenixcontact.de