

D-SUB bus connector - SUBCON 25/F-SH



2761619

<https://www.phoenixcontact.com/pc/products/2761619>

Please be informed that the data shown in this PDF document is generated from our Online Catalog. Please find the complete data in the user documentation. Our General Terms of Use for Downloads are valid.

D-SUB connector, 25-pos. female connector, one 35° cable entry, universal type for all systems, pin assignment: 1, 2, 3, ..., 24, 25 to screw connection terminal block



Product Description

The range covers SUBCON plugs for point-to-point connections with a cable infeed in 9, 15 and 25-pos. male or female versions. The optional fastening screw SUBCON-SHORT-SCREW is available as an accessory for narrow installation conditions. The screw is completely integrated into the housing by not having a knurl.

Your advantages

- Assembly under field conditions
- Easy assembly thanks to knurled screws
- High level of EMC
- Flexibility in terms of cable entry selection
- Can be used universally
- Change to the D-SUB orientation through a reversible connection block

D-SUB bus connector - SUBCON 25/F-SH



2761619

<https://www.phoenixcontact.com/pc/products/2761619>

Commercial Data

Item number	2761619
Packing unit	1 pc
Minimum order quantity	1 pc
Sales Key	07
Product Key	DNC511
Catalog Page	Page 451 (C-6-2019)
GTIN	4017918107987
Weight per Piece (including packing)	96.6 g
Weight per Piece (excluding packing)	96.6 g
Customs tariff number	85366990
Country of origin	DE

D-SUB bus connector - SUBCON 25/F-SH



2761619

<https://www.phoenixcontact.com/pc/products/2761619>

Technical Data

Notes

Utilization restriction

CCCex note	Use in potentially explosive areas is not permitted in China.
------------	---

Product properties

Product type	Data plug
MTTF	6706 Years (SN 29500 standard, temperature 25°C, operating cycle 21%)
	1817 Years (SN 29500 standard, temperature 40°C, operating cycle 34.25%)
	155 Years (SN 29500 standard, temperature 40°C, operating cycle 100%)
Pin assignment	All connections are 1:1 on the screw terminal block

Electrical properties

Nominal voltage U_N	50 V DC
Nominal current I_N	100 mA
Transmission medium	Copper

Connection data

D-SUB connection

Connection method	D-SUB socket
-------------------	--------------

D-SUB connection

Connection method	Screw connection
Stripping length	5 mm
Conductor cross section solid min.	0.14 mm ²
Conductor cross section solid max.	1.5 mm ²
Conductor cross section flexible min.	0.14 mm ²
Conductor cross section flexible max.	1 mm ²
Conductor cross section AWG min.	26
Conductor cross section AWG max.	16

Interfaces

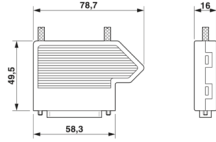
Signal	Modbus
	RS-232
	RS-422
	RS-485

Dimensions

D-SUB bus connector - SUBCON 25/F-SH

2761619

<https://www.phoenixcontact.com/pc/products/2761619>

Dimensional drawing	
Width	16 mm
Height	55 mm
Length	79 mm

External dimensions

External diameter min.	4 mm
External diameter max.	10 mm

Material specifications

Housing material	ABS, metal-plated
------------------	-------------------

Connector

Insertion/withdrawal cycles	> 200
Insertion/withdrawal cycles	> 200
Housing material	ABS, metal-plated
Insertion/withdrawal cycles	> 200

Environmental and real-life conditions

Ambient conditions

Degree of protection	IP20
Ambient temperature (operation)	-20 °C ... 75 °C
Ambient temperature (storage/transport)	-25 °C ... 80 °C
Altitude	≤ 5000 m (For restrictions, see the manufacturer's declaration for altitude operation)
Permissible humidity (operation)	10 % ... 95 % (non-condensing)
Permissible humidity (storage/transport)	5 % ... 95 % (non-condensing)

Approval data

EAC

Identification	EAC
----------------	-----

EAC

Identification	<input type="checkbox"/> II 3 G Ex nA IIC T4 Gc X
Note	Please follow the special installation instructions in the documentation!

EAC

Identification	ISA-S71.04-1985 G3 Harsh Group A
----------------	----------------------------------

Standards and regulations

D-SUB bus connector - SUBCON 25/F-SH



2761619

<https://www.phoenixcontact.com/pc/products/2761619>

Free from substances that could impair the application of coating

according to P-VW 3.10.7 57 65 0 VW-AUDI-Seat central standard

D-SUB bus connector - SUBCON 25/F-SH

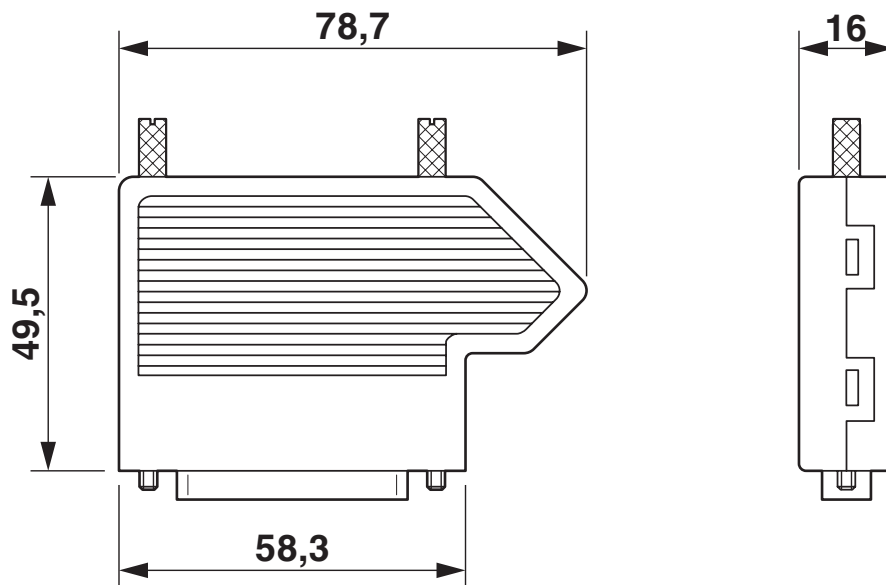
2761619

<https://www.phoenixcontact.com/pc/products/2761619>



Drawings

Dimensional drawing

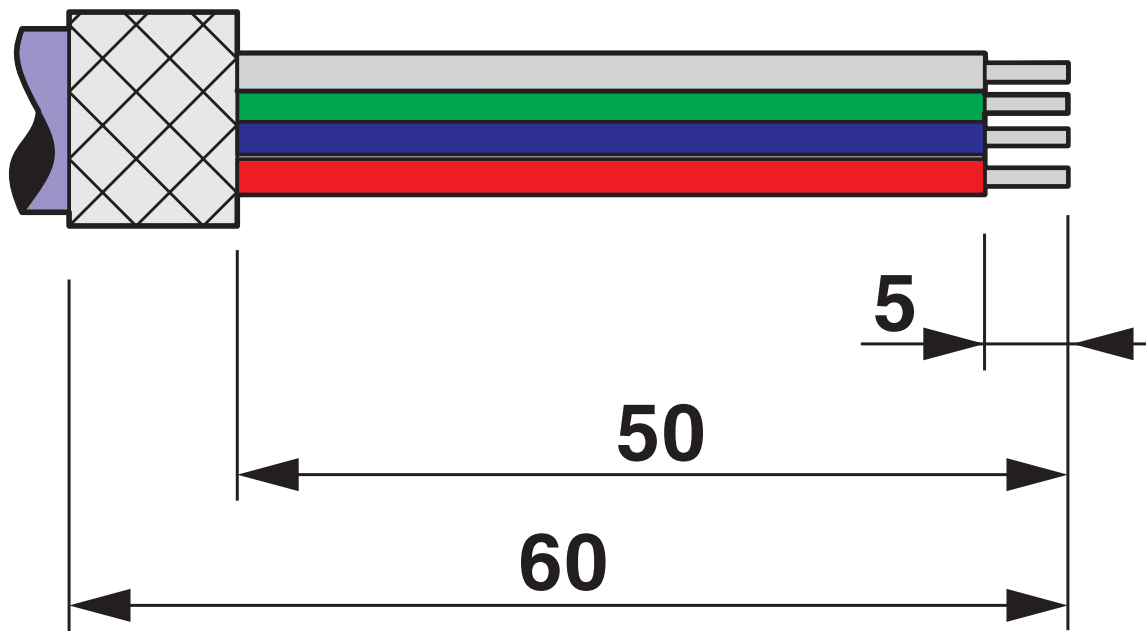


D-SUB bus connector - SUBCON 25/F-SH

2761619

<https://www.phoenixcontact.com/pc/products/2761619>

Schematic diagram



Stripping specifications

D-SUB bus connector - SUBCON 25/F-SH




2761619


<https://www.phoenixcontact.com/pc/products/2761619>

Approvals

 cUL Recognized Approval ID: FILE E 238705				
	Nominal Voltage U_N	Nominal Current I_N	Cross Section AWG	Cross Section mm^2
			-	-

 UL Recognized Approval ID: FILE E 238705				
	Nominal Voltage U_N	Nominal Current I_N	Cross Section AWG	Cross Section mm^2
			-	-

 CSA Approval ID: 2437602				
--	--	--	--	--

 ATEX Approval ID: PxCIF15ATEX2761499X				
---	--	--	--	--

cULus Recognized				
-------------------------	--	--	--	--

D-SUB bus connector - SUBCON 25/F-SH



2761619

<https://www.phoenixcontact.com/pc/products/2761619>

Classifications

ECLASS

ECLASS-9.0	27440302
ECLASS-10.0.1	27440302
ECLASS-11.0	27440302

ETIM

ETIM 8.0	EC001132
----------	----------

UNSPSC

UNSPSC 21.0	39121400
-------------	----------

D-SUB bus connector - SUBCON 25/F-SH



2761619

<https://www.phoenixcontact.com/pc/products/2761619>

Environmental Product Compliance

REACH SVHC	Lead 7439-92-1
China RoHS	Environmentally Friendly Use Period = 50 years
	For information on hazardous substances, refer to the manufacturer's declaration available under "Downloads"

D-SUB bus connector - SUBCON 25/F-SH



2761619

<https://www.phoenixcontact.com/pc/products/2761619>

Accessories

Screwdriver

Screwdriver - SZF 0-0,4X2,5 - 1204504

<https://www.phoenixcontact.com/pc/products/1204504>



Actuation tool, for ST terminal blocks, also suitable for use as a bladed screwdriver, size: 0.4 x 2.5 x 75 mm, 2-component grip, with non-slip grip

D-SUB gender changer

D-SUB gender changer - VS-25-GC-ST/ST - 1652693

<https://www.phoenixcontact.com/pc/products/1652693>



D-SUB contact insert, shell size 3, with 25 signal contacts, type of contact pin, gender changer, fixing with 4-40 UNC thread

D-SUB bus connector - SUBCON 25/F-SH

2761619

<https://www.phoenixcontact.com/pc/products/2761619>

D-SUB gender changer

D-SUB gender changer - VS-25-GC-BU/BU - 1652680

<https://www.phoenixcontact.com/pc/products/1652680>

D-SUB contact insert, shell size 3, with 25 signal contacts, type of contact socket, gender changer, fixing with 4-40 UNC thread

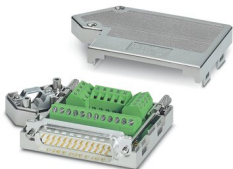


D-SUB bus connector

D-SUB bus connector - SUBCON 25/M-SH - 2761622

<https://www.phoenixcontact.com/pc/products/2761622>

D-SUB connector, 25-pos., male connector, one 35° cable entry, universal type for all systems, pin assignment: 1, 2, 3, ..., 24, 25 to screw connection terminal block



D-SUB bus connector - SUBCON 25/F-SH



2761619

<https://www.phoenixcontact.com/pc/products/2761619>

Screw

Screw - SUBCON-SHORT-SCREW - 2799694

<https://www.phoenixcontact.com/pc/products/2799694>



Optional mounting screw, without knurl for narrow installation conditions, slotted head, length: 40 mm, UNC 4-40 thread Supplied as standard: 1 bag of 20 screws

Screw

Screw - SUBCON-RAENDEL-SCREW-3MM - 2310387

<https://www.phoenixcontact.com/pc/products/2310387>



Optional mounting screw, with knurl for mounting by hand or using a screwdriver, bladed, length: 56 mm, metric M3 thread

Phoenix Contact 2022 © - all rights reserved
<https://www.phoenixcontact.com>

PHOENIX CONTACT GmbH & Co. KG
Flachsmarktstraße 8
D-32825 Blomberg
+49 (0) 5235-3 00
info@phoenixcontact.com