

# Contact insert - HC-D 8-I-CT-M



1584350

<https://www.phoenixcontact.com/pc/products/1584350>

Please be informed that the data shown in this PDF document is generated from our Online Catalog. Please find the complete data in the user documentation. Our General Terms of Use for Downloads are valid.

---



Contact insert, number of positions: 8, size: D7, number of connections per position: 1, Pin, Crimp connection, 42 V, 10 A, 0.14 mm<sup>2</sup> ... 2.5 mm<sup>2</sup>

## Your advantages

- Can be used in rail vehicles, satisfy DIN EN 45545-2 with requirement sets R22, R23, and R24 in hazard levels HL1, HL2, and HL3.

# Contact insert - HC-D 8-I-CT-M

1584350

<https://www.phoenixcontact.com/pc/products/1584350>



## Commercial Data

Item number	1584350
Packing unit	1 pc
Minimum order quantity	1 pc
Product Key	BF7ABJ
Catalog Page	Page 507 (C-2-2019)
GTIN	4046356142618
Weight per Piece (including packing)	8.8 g
Weight per Piece (excluding packing)	8.5 g
Customs tariff number	85389099
Country of origin	CN

# Contact insert - HC-D 8-I-CT-M

1584350

<https://www.phoenixcontact.com/pc/products/1584350>

## Technical Data

### Notes

General	For HC-D7 housing, crimp contacts CK1,6-ED (crimp contacts not included in scope of supply)
General	Connectors may be operated only when there is no load/voltage.
General	Product already includes one IP65 sealing screw

### Product properties

Type	D7
Product type	Contact insert with a fixed no. of positions
Number of positions	8
Note number of positions	8
Connection profile	8
Number of connections per position	1
Contact type	turned rolled
Series	HC-D

### Insulation characteristics

Overvoltage category	III
Degree of pollution	3

### Connection data

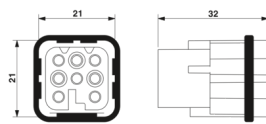
#### Connection technology

Connection technology	Crimp connection
Number of connections per position	1
Connection in acc. with standard	IEC / EN

#### Conductor connection

Connection cross section AWG	26 ... 14
Stripping length of the individual wire	8 mm (0.14 ... 1.5 mm <sup>2</sup> )
	6 mm (2.5 mm <sup>2</sup> )

### Dimensions

Dimensional drawing	
Width	21 mm
Height	32 mm
Length	21 mm

# Contact insert - HC-D 8-I-CT-M



1584350

<https://www.phoenixcontact.com/pc/products/1584350>

## Mechanical characteristics

Contact diameter	1.6 mm
------------------	--------

## Electrical properties

Rated voltage (III/3)	42 V
Rated surge voltage	0.8 kV
Rated current	10 A
SCCR	5 kA (UL 2237)

## Material specifications

Flammability rating according to UL 94	V0
Sealing material	NBR, conductive (profile gasket)
Contact material	Copper alloy
Contact surface material	Ag (alternatively Au)
Contact carrier material	PC
Standards/regulations	PC: Fire protection in rail vehicles - requirement sets R22, R23, and R24 acc. to DIN EN 45545-2 (Risk level HL1 - HL3)

## Connector

Insertion/withdrawal cycles	≥ 500
-----------------------------	-------

## Cable / line

### Cable structure

Stripping length of the individual wire	8 mm (0.14 ... 1.5 mm <sup>2</sup> )
	6 mm (2.5 mm <sup>2</sup> )

## Mounting

Assembly instructions	To ensure correct use, installation in housing with IP54 protection or better is required
-----------------------	---

## Ambient conditions

Ambient temperature (operation)	-40 °C ... 125 °C (including heating up of contacts)
---------------------------------	--

## Standards and regulations

Constructional and testing regulations	DIN VDE 0627/86
	DIN VDE 0110/02.79
	DIN VDE 0110-1/04.97
	IEC 60664-1, DIN IEC 60512
	IEC 60352
Tests	DIN VDE 0627/86
	DIN VDE 0110/02.79
	DIN VDE 0110-1/04.97
	IEC 60664-1, DIN IEC 60512
	IEC 60352

# Contact insert - HC-D 8-I-CT-M



1584350

<https://www.phoenixcontact.com/pc/products/1584350>

## Testing

Standards/regulations

PC: Fire protection in rail vehicles - requirement sets R22, R23, and R24 acc. to DIN EN 45545-2 (Risk level HL1 - HL3)

# Contact insert - HC-D 8-I-CT-M

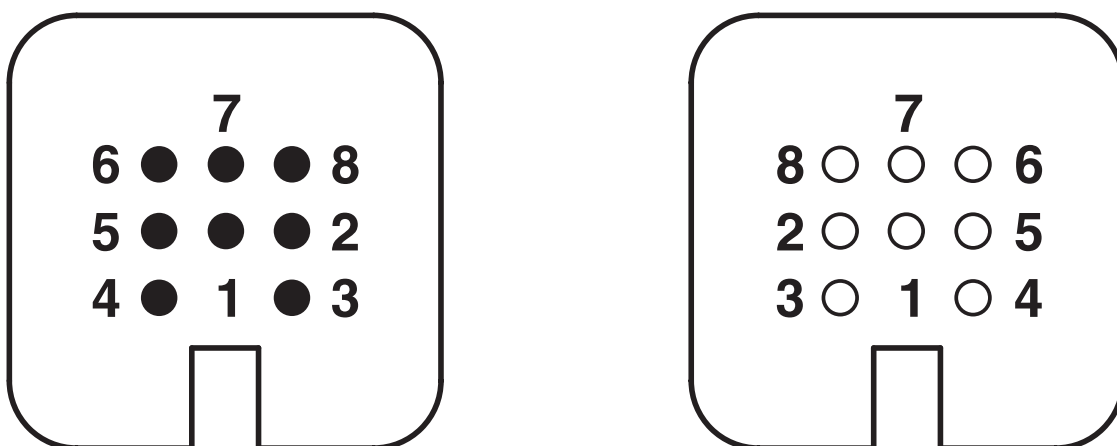


1584350

<https://www.phoenixcontact.com/pc/products/1584350>

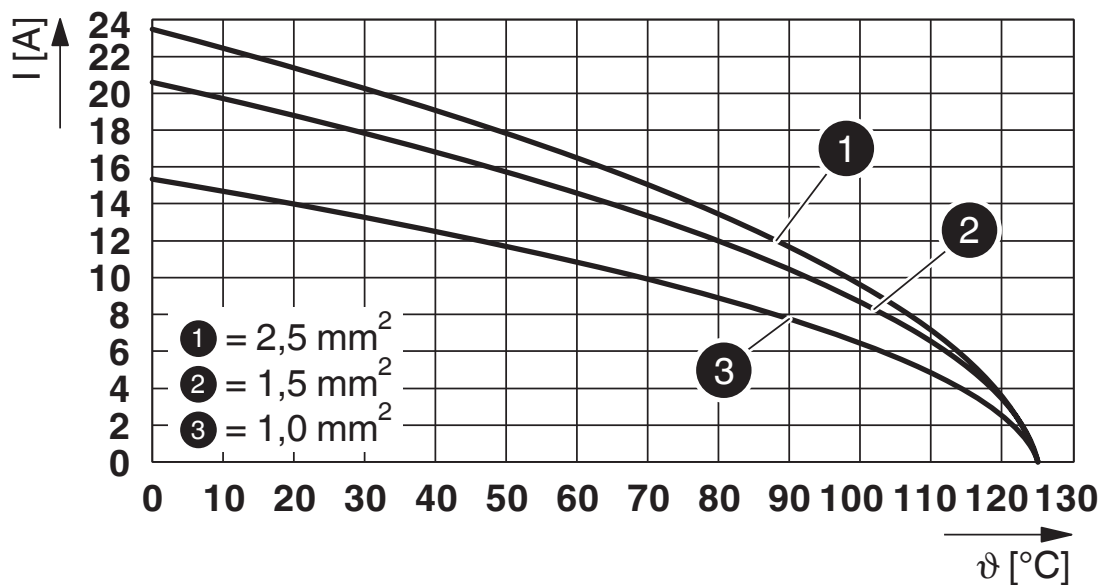
## Drawings

Schematic diagram



Connector pin assignment connection side: Left pin; right socket

Diagram

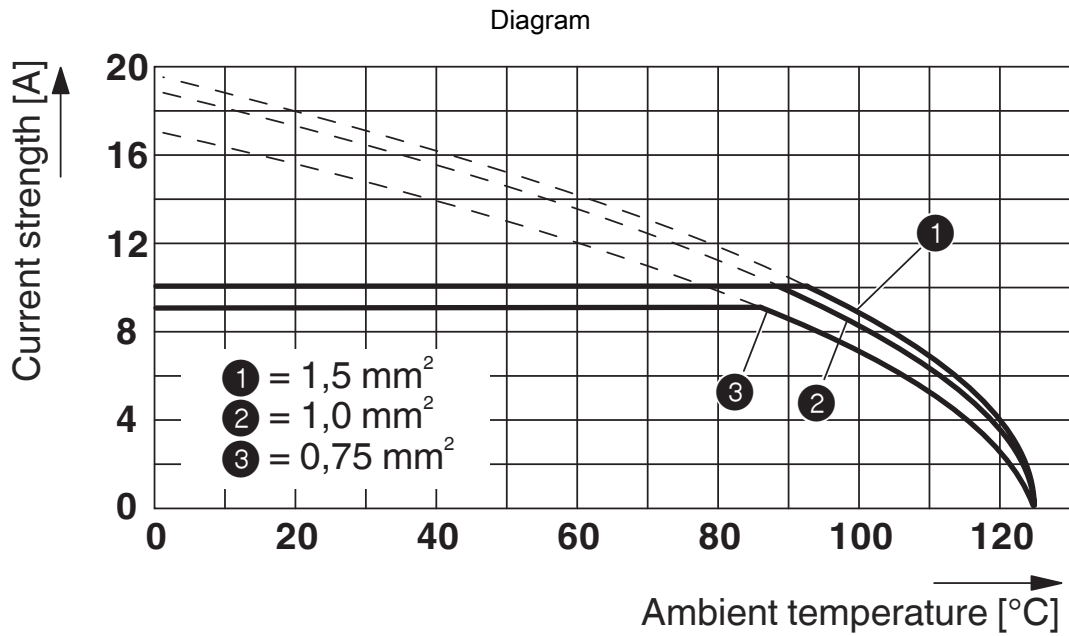


Derating diagram turned contacts

# Contact insert - HC-D 8-I-CT-M

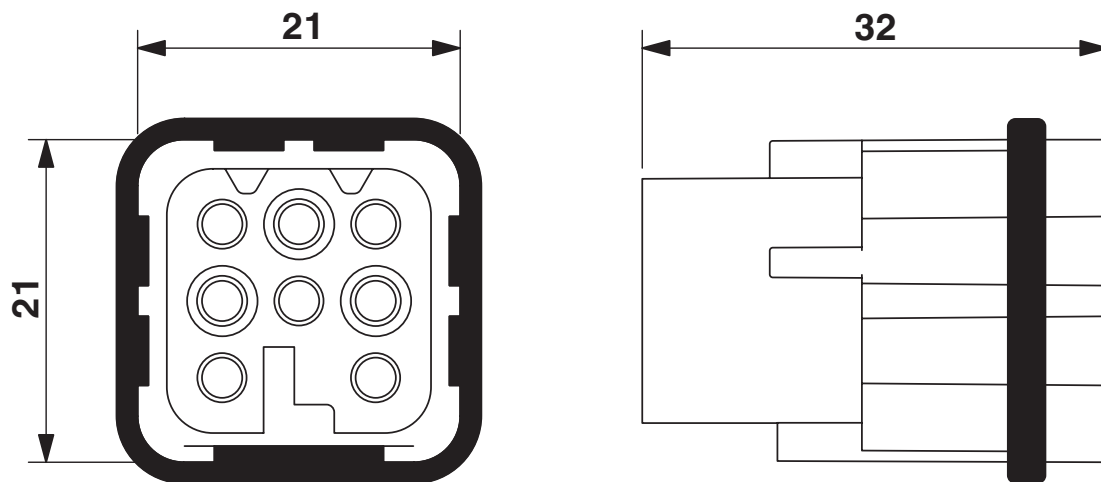
1584350

<https://www.phoenixcontact.com/pc/products/1584350>



Derating diagram: HC-D...C series

Dimensional drawing



Male insert

# Contact insert - HC-D 8-I-CT-M



1584350

<https://www.phoenixcontact.com/pc/products/1584350>

## Approvals

**DNV**

Approval ID: TAE000037S



**CSA**

Approval ID: 13631

Nominal Voltage $U_N$	Nominal Current $I_N$	Cross Section AWG	Cross Section $\text{mm}^2$
600 V	10 A	- 14	-



**UL Recognized**

Approval ID: FILE E 118976

Nominal Voltage $U_N$	Nominal Current $I_N$	Cross Section AWG	Cross Section $\text{mm}^2$
600 V	12 A	- 14	-



**EAC**

Approval ID: RU C-DE.AI30.B.01102



**cULus Recognized**

Approval ID: E468743

Nominal Voltage $U_N$	Nominal Current $I_N$	Cross Section AWG	Cross Section $\text{mm}^2$
600 V	12 A	- 14	-



**EAC**

Approval ID: RU C-DE.BL08.B.00511



# Contact insert - HC-D 8-I-CT-M



1584350

<https://www.phoenixcontact.com/pc/products/1584350>

## Classifications

### ECLASS

ECLASS-9.0	27440205
ECLASS-10.0.1	27440205
ECLASS-11.0	27440205

### ETIM

ETIM 8.0	EC000438
----------	----------

### UNSPSC

UNSPSC 21.0	39121500
-------------	----------

# Contact insert - HC-D 8-I-CT-M



1584350

<https://www.phoenixcontact.com/pc/products/1584350>

## Environmental Product Compliance

China RoHS	Environmentally Friendly Use Period = 50 years For information on hazardous substances, refer to the manufacturer's declaration available under "Downloads"
------------	--

# Contact insert - HC-D 8-I-CT-M

1584350

<https://www.phoenixcontact.com/pc/products/1584350>



## Accessories

### Assembly tool

Assembly tool - UNIFOX MT-CK 1.6/2.5 - 1089092

<https://www.phoenixcontact.com/pc/products/1089092>

Assembly tool, for CK 1.6... crimp contacts for small conductor cross sections



---

### Profile gasket

Profile gasket - HC-D07-SP-RBK - 1419622

<https://www.phoenixcontact.com/pc/products/1419622>

Profile gasket, type: D7, for pin inserts



# Contact insert - HC-D 8-I-CT-M

1584350

<https://www.phoenixcontact.com/pc/products/1584350>



## Male contact

Male contact - CK1,6-ED-ST-POF - 1884995

<https://www.phoenixcontact.com/pc/products/1884995>



POF fiber optic pin contact, turned, for contact carriers (HC-DD...I-CT.../ HC-M-12-CT-.../ HC-M-17-CT-...) of CK1,6-ED... contacts

---

## Contact insert

Contact insert - HC-D 8-I-CT-F - 1584363

<https://www.phoenixcontact.com/pc/products/1584363>



Contact insert, number of positions: 8, size: D7, number of connections per position: 1, Socket, Crimp connection, 42 V, 10 A, 0.14 mm<sup>2</sup> ... 2.5 mm<sup>2</sup>

# Contact insert - HC-D 8-I-CT-M

1584350

<https://www.phoenixcontact.com/pc/products/1584350>



## Contact removal tool

Contact removal tool - UNIFOX RT-CK 1.6 - 1072069

<https://www.phoenixcontact.com/pc/products/1072069>



Contact removal tool, for turned and rolled CK- 1.6-... contacts

---

## Crimp contact

Crimp contact - CK1,6-ED-0,37ST AG - 1663336

<https://www.phoenixcontact.com/pc/products/1663336>



Turned 1.6 crimp contact, individual male contact, core diameter 0.14 to 0.37 mm<sup>2</sup>, silver-plated

# Contact insert - HC-D 8-I-CT-M

1584350

<https://www.phoenixcontact.com/pc/products/1584350>



## Crimp contact

Crimp contact - CK1,6-ED-0,50ST AG - 1663349

<https://www.phoenixcontact.com/pc/products/1663349>



Crimp contact, contact diameter: 1.6 mm, turned, Pin, contact material: Cu alloy, nickel-plated, contact surface: silver-plated, connection cross section: 0.5 mm<sup>2</sup> ... 0.5 mm<sup>2</sup>, AWG 20

---

## Crimp contact

Crimp contact - CK1,6-ED-0,75ST AG - 1663352

<https://www.phoenixcontact.com/pc/products/1663352>



Crimp contact, contact diameter: 1.6 mm, turned, Pin, contact material: Copper alloy, contact surface: silver-plated, connection cross section: 0.75 mm<sup>2</sup> ... 0.75 mm<sup>2</sup>, AWG 18

# Contact insert - HC-D 8-I-CT-M

1584350

<https://www.phoenixcontact.com/pc/products/1584350>



## Crimp contact

Crimp contact - CK1,6-ED-1,00ST AG - 1663365

<https://www.phoenixcontact.com/pc/products/1663365>



Crimp contact, contact diameter: 1.6 mm, turned, Pin, contact material: Copper alloy, contact surface: silver-plated, connection cross section: 1 mm<sup>2</sup> ... 1 mm<sup>2</sup>, AWG 18

---

## Crimp contact

Crimp contact - CK1,6-ED-1,50ST AG - 1663378

<https://www.phoenixcontact.com/pc/products/1663378>



Turned 1.6 crimp contact, individual female contact, core diameter 1.5 mm<sup>2</sup>, silver-plated

# Contact insert - HC-D 8-I-CT-M

1584350

<https://www.phoenixcontact.com/pc/products/1584350>

## Crimp contact

Crimp contact - CK1,6-ED-2,50ST AG - 1663381

<https://www.phoenixcontact.com/pc/products/1663381>



Turned 1.6 crimp contact, individual male contact, core diameter 2.5 mm<sup>2</sup>, silver-plated

---

## Crimp contact

Crimp contact - CK1,6-ED-0,37ST AU - 1674901

<https://www.phoenixcontact.com/pc/products/1674901>



Turned 1.6 crimp contact, individual male contact, core diameter 0.14 to 0.37 mm<sup>2</sup>, silver-plated



# Contact insert - HC-D 8-I-CT-M

1584350

<https://www.phoenixcontact.com/pc/products/1584350>



## Crimp contact

Crimp contact - CK1,6-ED-0,50ST AU - 1672453

<https://www.phoenixcontact.com/pc/products/1672453>



Crimp contact, contact diameter: 1.6 mm, turned, Pin, contact material: Copper alloy, contact surface: gold-plated, connection cross section: 0.5 mm<sup>2</sup> ... 0.5 mm<sup>2</sup>, AWG 20

---

## Crimp contact

Crimp contact - CK1,6-ED-0,75ST AU - 1674914

<https://www.phoenixcontact.com/pc/products/1674914>



Crimp contact, contact diameter: 1.6 mm, turned, Pin, contact material: Copper alloy, contact surface: gold-plated, connection cross section: 0.75 mm<sup>2</sup> ... 0.75 mm<sup>2</sup>, AWG 18

# Contact insert - HC-D 8-I-CT-M

1584350

<https://www.phoenixcontact.com/pc/products/1584350>



## Crimp contact

Crimp contact - CK1,6-ED-1,00ST AU - 1674888

<https://www.phoenixcontact.com/pc/products/1674888>



Crimp contact, contact diameter: 1.6 mm, turned, Pin, contact material: Copper alloy, contact surface: gold-plated, connection cross section: 1 mm<sup>2</sup> ... 1 mm<sup>2</sup>, AWG 18

---

## Crimp contact

Crimp contact - CK1,6-ED-1,50ST AU - 1674875

<https://www.phoenixcontact.com/pc/products/1674875>



Turned 1.6 crimp contact, individual female contact, core diameter 1.5 mm<sup>2</sup>, silver-plated

# Contact insert - HC-D 8-I-CT-M

1584350

<https://www.phoenixcontact.com/pc/products/1584350>



## Crimp contact

Crimp contact - CK1,6-ED-2,50ST AU - 1674927

<https://www.phoenixcontact.com/pc/products/1674927>



Turned 1.6 crimp contact, individual female contact, core diameter 2.5 mm<sup>2</sup>, gold-plated

---

## Crimp contact

Crimp contact - CK1,6-ER-1,00ST OIC AG - 1004360

<https://www.phoenixcontact.com/pc/products/1004360>



Crimp contact, contact diameter: 1.6 mm, rolled, Pin, contact material: Cu alloy, nickel-plated, contact surface: silver-plated, connection cross section: 0.34 mm<sup>2</sup> ... 1 mm<sup>2</sup>, AWG 22 ... 17

# Contact insert - HC-D 8-I-CT-M

1584350

<https://www.phoenixcontact.com/pc/products/1584350>



## Crimp contact

Crimp contact - CK1,6-ER-2,50ST OIC AG - 1004365

<https://www.phoenixcontact.com/pc/products/1004365>



Crimp contact, contact diameter: 1.6 mm, rolled, Pin, contact material: Cu alloy, nickel-plated, contact surface: silver-plated, connection cross section: 1.5 mm<sup>2</sup> ... 2.5 mm<sup>2</sup>, AWG 16 ... 14

---

## Crimp contact

Crimp contact - CK1,6-BR-1,00ST OIC AG - 1004380

<https://www.phoenixcontact.com/pc/products/1004380>



Crimp contact, contact diameter: 1.6 mm, rolled, Pin, contact material: Cu alloy, nickel-plated, contact surface: silver-plated, connection cross section: 0.34 mm<sup>2</sup> ... 1 mm<sup>2</sup>, AWG 22 ... 17, Taped products

# Contact insert - HC-D 8-I-CT-M

1584350

<https://www.phoenixcontact.com/pc/products/1584350>



## Crimp contact

Crimp contact - CK1,6-BR-2,50ST OIC AG - 1004382

<https://www.phoenixcontact.com/pc/products/1004382>



Crimp contact, contact diameter: 1.6 mm, rolled, Pin, contact material: Cu alloy, nickel-plated, contact surface: silver-plated, connection cross section: 1.5 mm<sup>2</sup> ... 2.5 mm<sup>2</sup>, AWG 16 ... 14, Taped products

---

## Crimping pliers

Crimping pliers - CRIMPFOX-1,6/2,5-ED-4,0 - 1687419

<https://www.phoenixcontact.com/pc/products/1687419>



Crimping pliers, for turned contacts, CK 1.6 ED... and CK 2.5 ED...

# Contact insert - HC-D 8-I-CT-M

1584350

<https://www.phoenixcontact.com/pc/products/1584350>



## Crimping pliers

Crimping pliers - CRIMPFOX-TC 4 - 1212113

<https://www.phoenixcontact.com/pc/products/1212113>



Crimping pliers, for CK 1,6-ED..., CK 2,5-ED..., CK 4,0-ED... turned contacts, 4 marked die stations, unlockable pressure lock, lateral entry, incl. positioning tool

---

## Crimping pliers with digital display

Crimping pliers with digital display - CRIMPFOX-TC MP-6 - 1202888

<https://www.phoenixcontact.com/pc/products/1202888>



Crimping tool, for turned contacts, universal cross-section setting, up to a maximum of 6.0 mm<sup>2</sup>, digital display with 0.01 mm increments, pressure lock can be unlocked, positioning tool necessary as an accessory for contact positioning

# Contact insert - HC-D 8-I-CT-M

1584350

<https://www.phoenixcontact.com/pc/products/1584350>



## Sealing screw

Sealing screw - HC-D 7-DS-IP65 - 1686229

<https://www.phoenixcontact.com/pc/products/1686229>



Sealing screw, size: Countersunk head, IP67, replacement part for D7 size HEAVYCON housing

---

Phoenix Contact 2022 © - all rights reserved

<https://www.phoenixcontact.com>

PHOENIX CONTACT GmbH & Co. KG

Flachsmarktstraße 8

D-32825 Blomberg

+49 (0) 5235-3 00

[info@phoenixcontact.com](mailto:info@phoenixcontact.com)