

D-SUB bus connector - SUBCON-PLUS-PROFIB/AX



2744377

<https://www.phoenixcontact.com/pc/products/2744377>

Please be informed that the data shown in this PDF document is generated from our Online Catalog. Please find the complete data in the user documentation. Our General Terms of Use for Downloads are valid.



D-SUB connector, 9-pos., male connector, axial version with two cable entries, bus system: PROFIBUS DP up to 12 Mbps, termination resistor can be switched on via slide switch, pin assignment: 3, 5, 6, 8; spring-cage connection terminal blocks

Product Description

The D-SUB series, **SUBCON-PLUS-PROFIB/...** was specially designed for use in PROFIBUS systems up to 12 Mbps. Under field conditions, it allows convenient and fast connection of the incoming and outgoing bus cable. The terminating resistor is already integrated in all versions. It can be connected externally by means of a slide switch. At the same time, the outgoing bus segment is switched off. This makes it easy to start up segment by segment while incorrect terminations are avoided.

D-SUB bus connector - SUBCON-PLUS-PROFIB/AX



2744377

<https://www.phoenixcontact.com/pc/products/2744377>

Commercial Data

| | |
|--------------------------------------|---------------------|
| Item number | 2744377 |
| Packing unit | 1 pc |
| Minimum order quantity | 1 pc |
| Sales Key | 07 |
| Product Key | DNC531 |
| Catalog Page | Page 447 (C-6-2019) |
| GTIN | 4017918818135 |
| Weight per Piece (including packing) | 53.94 g |
| Weight per Piece (excluding packing) | 53 g |
| Customs tariff number | 85366990 |
| Country of origin | DE |

Technical Data

Notes

Utilization restriction

| | |
|------------|---|
| CCCex note | Use in potentially explosive areas is not permitted in China. |
|------------|---|

Product properties

| | |
|----------------|--|
| Product type | Data plug |
| MTTF | 6706 Years (SN 29500 standard, temperature 25°C, operating cycle 21%) |
| | 1817 Years (SN 29500 standard, temperature 40°C, operating cycle 34.25%) |
| | 155 Years (SN 29500 standard, temperature 40°C, operating cycle 100%) |
| Pin assignment | 3, 5, 6, 8 |

Electrical properties

| | |
|---|---------|
| Maximum power dissipation for nominal condition | 0.025 W |
| Nominal voltage U_N | 5 V |
| Nominal current I_N | 100 mA |
| Transmission medium | Copper |

Connection data

D-SUB connection

| | |
|-------------------|-----------------|
| Connection method | D-SUB connector |
|-------------------|-----------------|

D-SUB connection

| | |
|------------------------------------|------------------------|
| Connection method | Spring-cage connection |
| Stripping length | 9 mm |
| Conductor cross section solid min. | 0.12 mm ² |
| Conductor cross section solid max. | 0.5 mm ² |
| Conductor cross section AWG min. | 26 |
| Conductor cross section AWG max. | 20 |

Interfaces

| | |
|------------|-------------|
| Bus system | PROFIBUS DP |
| Signal | PROFIBUS |

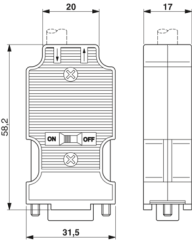
Dimensions

D-SUB bus connector - SUBCON-PLUS-PROFIB/AX



2744377

<https://www.phoenixcontact.com/pc/products/2744377>

| | |
|---------------------|--|
| Dimensional drawing |  |
| Width | 17 mm |
| Height | 31.5 mm |
| Length | 58.2 mm |

| | |
|------------------------|--------|
| External dimensions | |
| External diameter min. | 7.6 mm |
| External diameter max. | 8.4 mm |

Material specifications

| | |
|------------------|-------------------|
| Housing material | ABS, metal-plated |
|------------------|-------------------|

Connector

| | |
|-----------------------------|-------------------|
| Insertion/withdrawal cycles | > 200 |
| Insertion/withdrawal cycles | > 200 |
| Housing material | ABS, metal-plated |
| Insertion/withdrawal cycles | > 200 |

Environmental and real-life conditions

| | |
|--|--|
| Ambient conditions | |
| Ambient temperature (operation) | -20 °C ... 75 °C |
| Ambient temperature (storage/transport) | -25 °C ... 80 °C |
| Altitude | ≤ 5000 m (For restrictions, see the manufacturer's declaration for altitude operation) |
| Permissible humidity (operation) | 10 % ... 95 % (non-condensing) |
| Permissible humidity (storage/transport) | 5 % ... 95 % (non-condensing) |

Approval data

| | |
|----------------|-----|
| EAC | |
| Identification | EAC |

| | |
|----------------|---|
| EAC | |
| Identification | <input type="checkbox"/> II 3 G Ex nA IIC T4 Gc X |
| Note | Please follow the special installation instructions in the documentation! |

| | |
|----------------|----------------------------------|
| EAC | |
| Identification | ISA-S71.04-1985 G3 Harsh Group A |

D-SUB bus connector - SUBCON-PLUS-PROFIB/AX



2744377

<https://www.phoenixcontact.com/pc/products/2744377>

Standards and regulations

Free from substances that could impair the application of coating

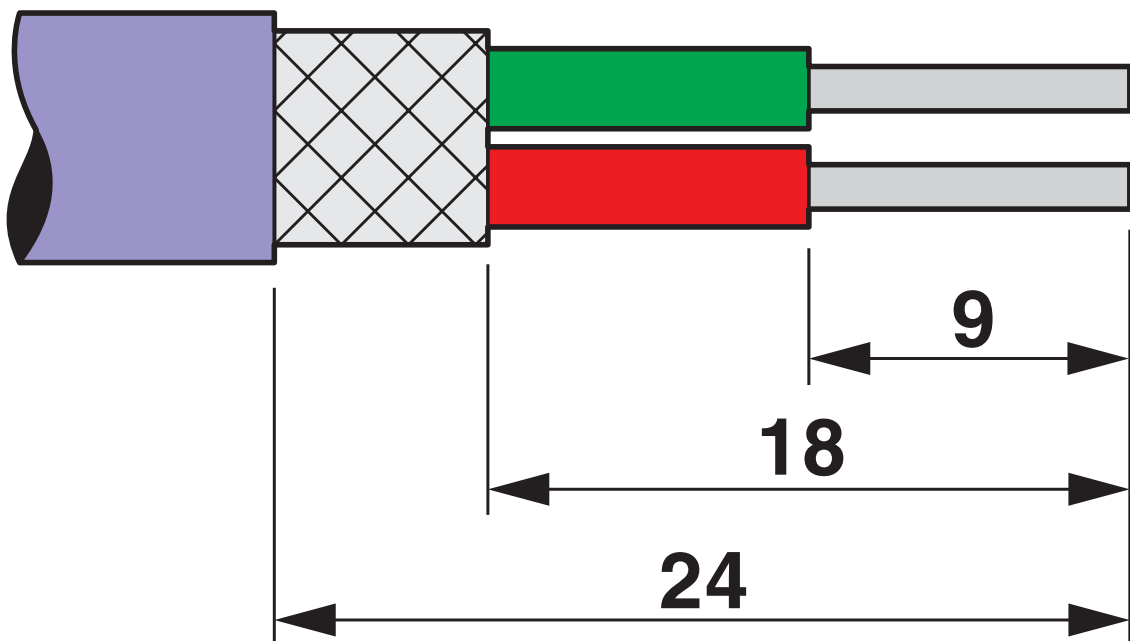
according to P-VW 3.10.7 57 65 0 VW-AUDI-Seat central standard

2744377

<https://www.phoenixcontact.com/pc/products/2744377>

Drawings

Schematic diagram



Stripping specifications

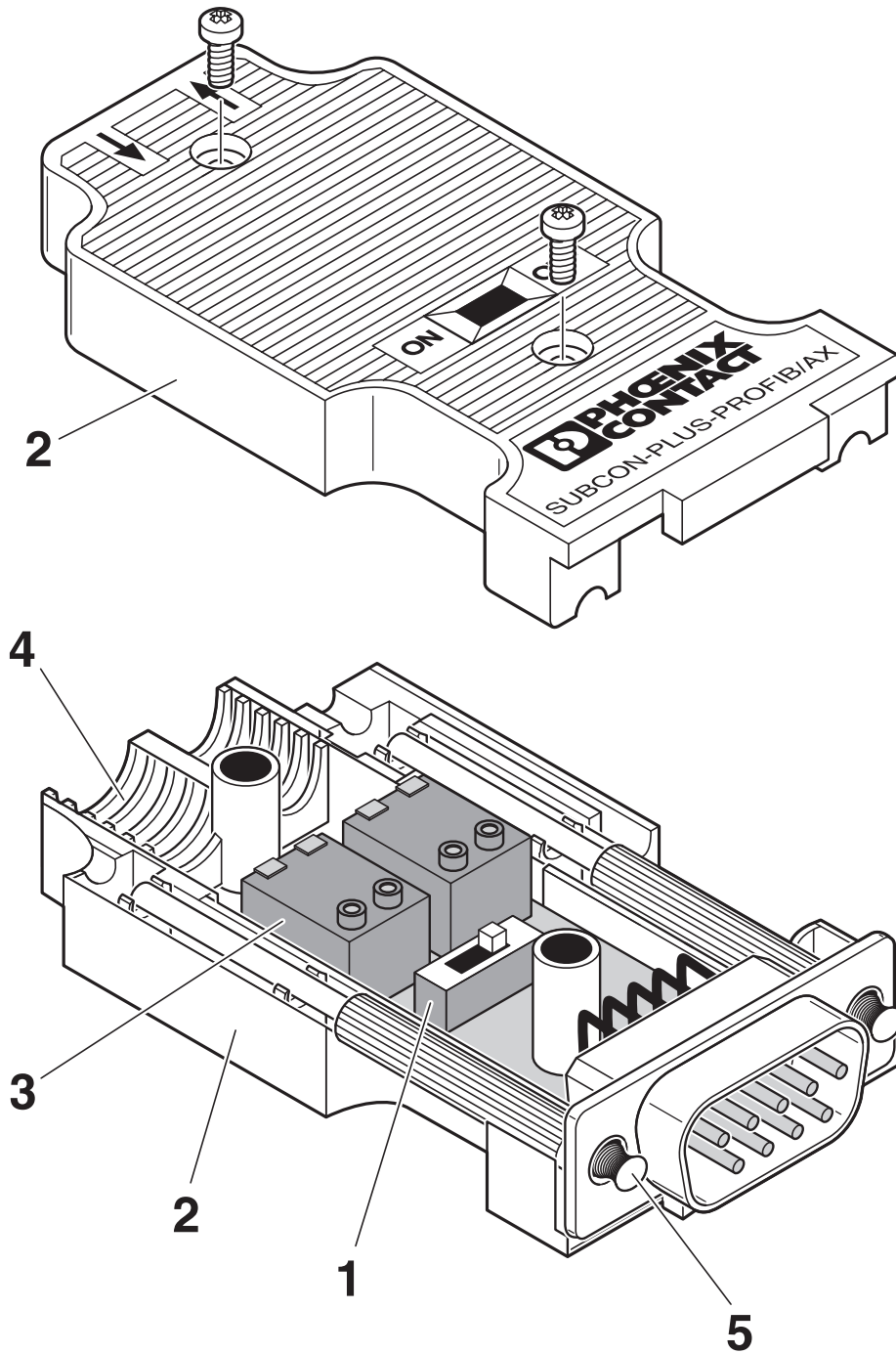
D-SUB bus connector - SUBCON-PLUS-PROFIB/AX



2744377

<https://www.phoenixcontact.com/pc/products/2744377>

Schematic diagram



Function elements

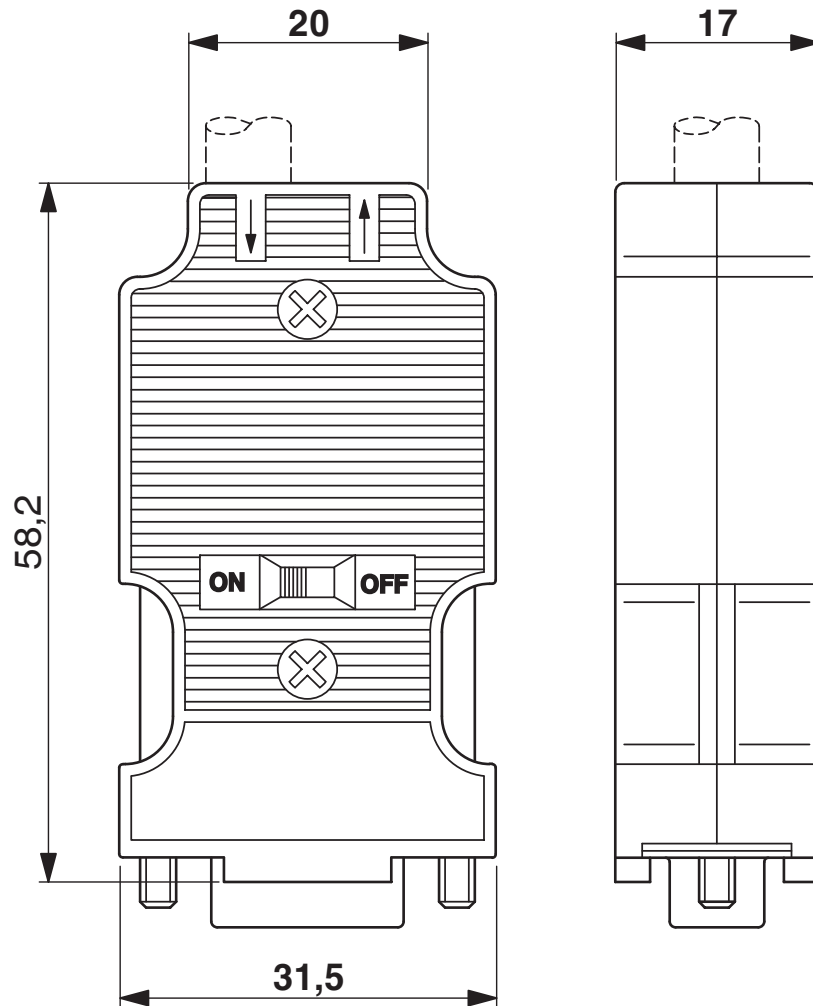
D-SUB bus connector - SUBCON-PLUS-PROFIB/AX



2744377

<https://www.phoenixcontact.com/pc/products/2744377>

Dimensional drawing



Dimensional drawing

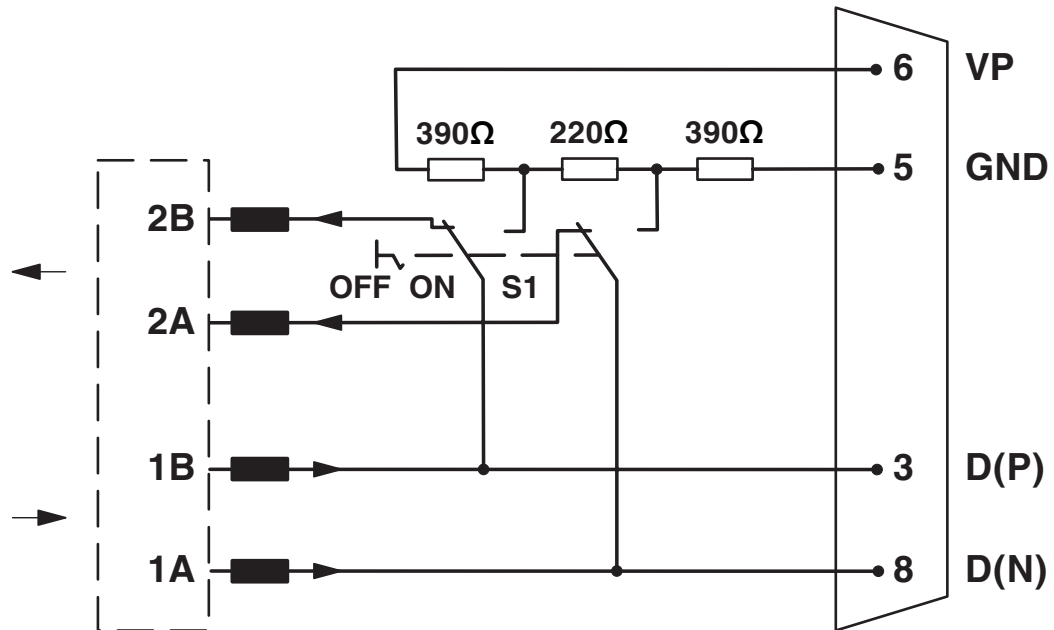
D-SUB bus connector - SUBCON-PLUS-PROFIB/AX



2744377

<https://www.phoenixcontact.com/pc/products/2744377>

Circuit diagram



Functional diagram of the connector range
SUBCON-PLUS-PROFIB/...

D-SUB bus connector - SUBCON-PLUS-PROFIB/AX



2744377

<https://www.phoenixcontact.com/pc/products/2744377>

Approvals



cUL Recognized
Approval ID: FILE E 238705



UL Recognized
Approval ID: FILE E 238705



CSA
Approval ID: 2437602

cULus Recognized

D-SUB bus connector - SUBCON-PLUS-PROFIB/AX



2744377

<https://www.phoenixcontact.com/pc/products/2744377>

Classifications

ECLASS

| | |
|---------------|----------|
| ECLASS-9.0 | 27440302 |
| ECLASS-10.0.1 | 27440302 |
| ECLASS-11.0 | 27440302 |

ETIM

| | |
|----------|----------|
| ETIM 8.0 | EC001132 |
|----------|----------|

UNSPSC

| | |
|-------------|----------|
| UNSPSC 21.0 | 39121400 |
|-------------|----------|

D-SUB bus connector - SUBCON-PLUS-PROFIB/AX



2744377

<https://www.phoenixcontact.com/pc/products/2744377>

Environmental Product Compliance

| | |
|------------|---|
| China RoHS | Environmentally friendly use period: unlimited = EFUP-e |
| | No hazardous substances above threshold values |

2744377

<https://www.phoenixcontact.com/pc/products/2744377>

Accessories

Screwdriver

Screwdriver - SZF 0-0,4X2,5 - 1204504

<https://www.phoenixcontact.com/pc/products/1204504>



Actuation tool, for ST terminal blocks, also suitable for use as a bladed screwdriver, size: 0.4 x 2.5 x 75 mm, 2-component grip, with non-slip grip

Screwdriver

Screwdriver - SZK PH1 VDE - 1205150

<https://www.phoenixcontact.com/pc/products/1205150>



Screwdriver, PH crosshead, VDE insulated, size: PH 1 x 80 mm, 2-component grip, with non-slip grip

D-SUB bus connector - SUBCON-PLUS-PROFIB/AX

2744377

<https://www.phoenixcontact.com/pc/products/2744377>

Termination resistor

Termination resistor - PSI-TERMINATOR-PB-TBUS - 2702636

<https://www.phoenixcontact.com/pc/products/2702636>



Active termination resistor for PROFIBUS and RS-485 bus systems, redundant power supply, routing of the supply voltage via DIN rail connector, electrical isolation, switchable termination, integrated programming interface

D-SUB bus connector

D-SUB bus connector - SUBCON-PLUS-PROFIB/PG/SC2 - 2708245

<https://www.phoenixcontact.com/pc/products/2708245>



D-SUB connector, 9-pos., male connector, 35° cable entry, bus system: PROFIBUS DP up to 12 Mbps with PG D-SUB socket for connecting a programming device, termination resistor can be switched on via slide switch, pin assignment: 3, 5, 6, 8; screw connection terminal blocks

D-SUB bus connector - SUBCON-PLUS-PROFIB/AX

2744377

<https://www.phoenixcontact.com/pc/products/2744377>

D-SUB bus connector

D-SUB bus connector - SUBCON-PLUS-PROFIB/90/PG/IDC - 2313685

<https://www.phoenixcontact.com/pc/products/2313685>



D-SUB connector, 9-pos., male connector, 90° cable entry, bus system: PROFIBUS DP up to 12 Mbps with PG D-SUB socket for connecting a programming device, termination resistor can be switched on via slide switch, pin assignment: 3, 5, 6, 8; IDC terminal block connection

D-SUB bus connector

D-SUB bus connector - SUBCON-PLUS-PROFIB/AX/SC - 2744380

<https://www.phoenixcontact.com/pc/products/2744380>



D-SUB connector, 9-pos., male connector, axial version with two cable entries, bus system: PROFIBUS DP up to 12 Mbps, termination resistor can be switched on via slide switch, pin assignment: 3, 5, 6, 8; screw connection terminal blocks

D-SUB bus connector - SUBCON-PLUS-PROFIB/AX



2744377

<https://www.phoenixcontact.com/pc/products/2744377>

Stripping pliers

Stripping pliers - QUICK WIREFOX 6 - 1204384

<https://www.phoenixcontact.com/pc/products/1204384>



Stripping tool for cables with PVC insulation, stripping range: 0.08 to 6 mm², wire cutting up to 6 mm² flexible or 4 mm² rigid

Bus system cable

Bus system cable - PSM-CABLE-PROFIB/FC - 2744652

<https://www.phoenixcontact.com/pc/products/2744652>



By the meter, Bus system cable, PROFIBUS (12 Mbps), shielded, PVC FR VI/PVC, violet, 2-wire (1X2XAWG22/1), color single wire: Red, green, cable length: Free entry (1.0 ... 1000.0 m)

D-SUB bus connector - SUBCON-PLUS-PROFIB/AX



2744377

<https://www.phoenixcontact.com/pc/products/2744377>

Stripping tool

Stripping tool - PSM-STRIP-FC/PROFIB - 2744623

<https://www.phoenixcontact.com/pc/products/2744623>

Quick stripping tool for PROFIBUS cable, type Fast Connect



Phoenix Contact 2022 © - all rights reserved

<https://www.phoenixcontact.com>

PHOENIX CONTACT GmbH & Co. KG

Flachsmarktstraße 8

D-32825 Blomberg

+49 (0) 5235-3 00

info@phoenixcontact.com