

# D-SUB bus connector - SUBCON-PLUS-PROFIB/AX/SC



2744380

<https://www.phoenixcontact.com/pc/products/2744380>

Please be informed that the data shown in this PDF document is generated from our Online Catalog. Please find the complete data in the user documentation. Our General Terms of Use for Downloads are valid.

---



D-SUB connector, 9-pos., male connector, axial version with two cable entries, bus system: PROFIBUS DP up to 12 Mbps, termination resistor can be switched on via slide switch, pin assignment: 3, 5, 6, 8; screw connection terminal blocks

---

## Product Description

The D-SUB series, **SUBCON-PLUS-PROFIB/...** was specially designed for use in PROFIBUS systems up to 12 Mbps. Under field conditions, it allows convenient and fast connection of the incoming and outgoing bus cable. The terminating resistor is already integrated in all versions. It can be connected externally by means of a slide switch. At the same time, the outgoing bus segment is switched off. This makes it easy to start up segment by segment while incorrect terminations are avoided.

# D-SUB bus connector - SUBCON-PLUS- PROFIB/AX/SC



2744380

<https://www.phoenixcontact.com/pc/products/2744380>

## Commercial Data

Item number	2744380
Packing unit	1 pc
Minimum order quantity	1 pc
Note	Made to Order (non-returnable)
Sales Key	07
Product Key	DNC531
Catalog Page	Page 447 (C-6-2019)
GTIN	4017918818142
Weight per Piece (including packing)	53.6 g
Weight per Piece (excluding packing)	51.16 g
Customs tariff number	85366990
Country of origin	DE

# D-SUB bus connector - SUBCON-PLUS-PROFIB/AX/SC



2744380

<https://www.phoenixcontact.com/pc/products/2744380>

## Technical Data

### Notes

#### Utilization restriction

CCCex note	Use in potentially explosive areas is not permitted in China.
------------	---

### Product properties

Product type	Data plug
MTTF	6706 Years (SN 29500 standard, temperature 25°C, operating cycle 21%)
	1817 Years (SN 29500 standard, temperature 40°C, operating cycle 34.25%)
	155 Years (SN 29500 standard, temperature 40°C, operating cycle 100%)
Pin assignment	3, 5, 6, 8

### Electrical properties

Maximum power dissipation for nominal condition	0.025 W
Nominal voltage $U_N$	5 V
Nominal current $I_N$	100 mA
Transmission medium	Copper

### Connection data

#### D-SUB connection

Connection method	D-SUB connector
-------------------	-----------------

#### D-SUB connection

Connection method	Screw connection
Stripping length	5 mm
Conductor cross section solid min.	0.14 mm <sup>2</sup>
Conductor cross section solid max.	1.5 mm <sup>2</sup>
Conductor cross section flexible min.	0.14 mm <sup>2</sup>
Conductor cross section flexible max.	1 mm <sup>2</sup>
Conductor cross section AWG min.	26
Conductor cross section AWG max.	16

### Interfaces

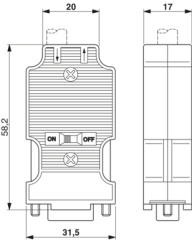
Bus system	PROFIBUS DP
Signal	PROFIBUS

### Dimensions

# D-SUB bus connector - SUBCON-PLUS-PROFIB/AX/SC

2744380

<https://www.phoenixcontact.com/pc/products/2744380>

Dimensional drawing	
Width	17 mm
Height	31.5 mm
Length	58.2 mm

External dimensions	
External diameter min.	7.6 mm
External diameter max.	8.4 mm

## Material specifications

Housing material	ABS, metal-plated
------------------	-------------------

## Connector

Insertion/withdrawal cycles	> 200
Insertion/withdrawal cycles	> 200
Housing material	ABS, metal-plated
Insertion/withdrawal cycles	> 200

## Environmental and real-life conditions

Ambient conditions	
Ambient temperature (operation)	-20 °C ... 75 °C
Ambient temperature (storage/transport)	-25 °C ... 80 °C
Altitude	≤ 5000 m (For restrictions, see the manufacturer's declaration for altitude operation)
Permissible humidity (operation)	10 % ... 95 % (non-condensing)
Permissible humidity (storage/transport)	5 % ... 95 % (non-condensing)

## Approval data

EAC	
Identification	EAC

EAC	
Identification	<input type="checkbox"/> II 3 G Ex nA IIC T4 Gc X
Note	Please follow the special installation instructions in the documentation!

EAC	
Identification	ISA-S71.04-1985 G3 Harsh Group A

# D-SUB bus connector - SUBCON-PLUS-PROFIB/AX/SC



2744380

<https://www.phoenixcontact.com/pc/products/2744380>

## Standards and regulations

Free from substances that could impair the application of coating

according to P-VW 3.10.7 57 65 0 VW-AUDI-Seat central standard

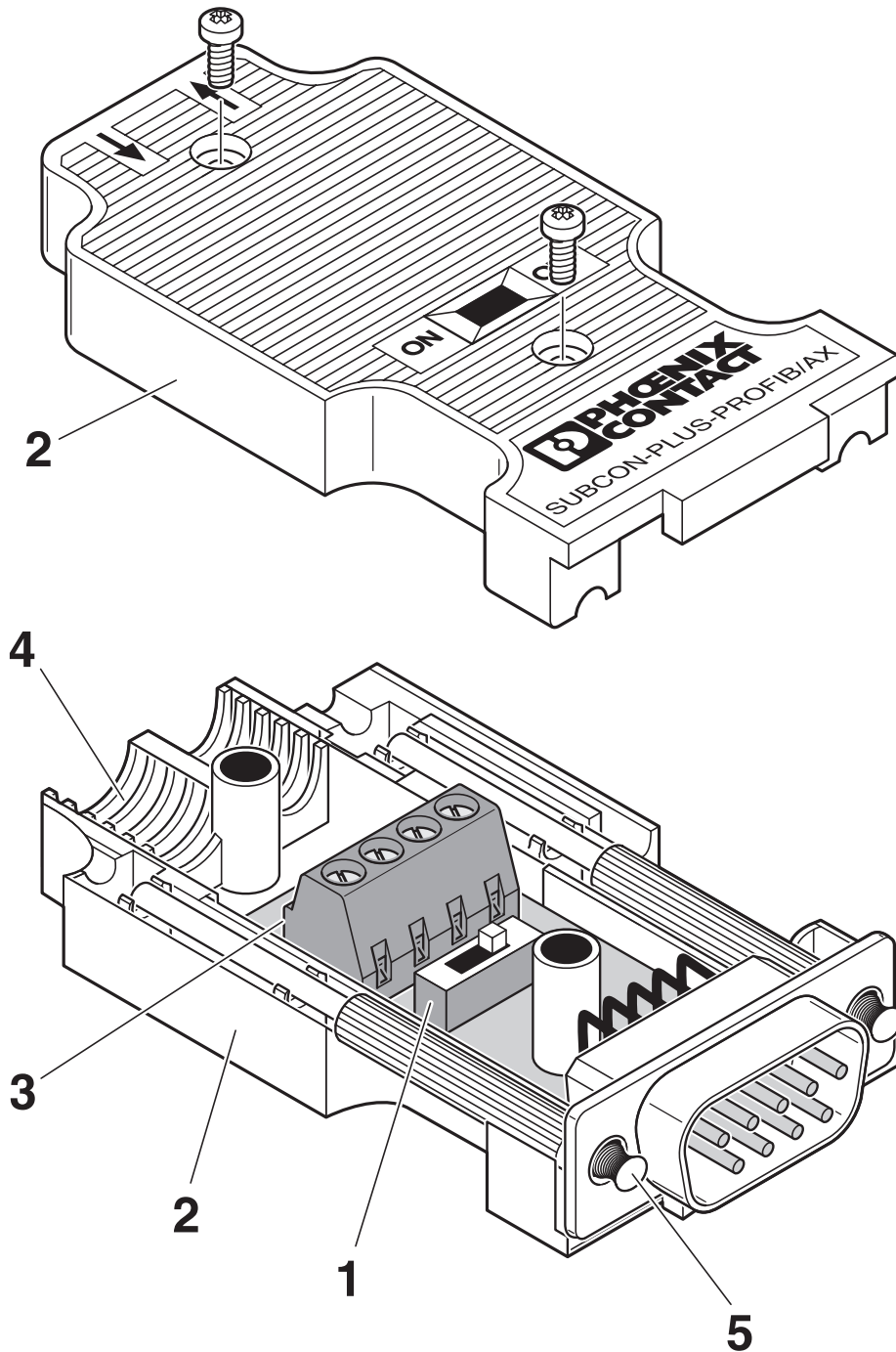
# D-SUB bus connector - SUBCON-PLUS-PROFIB/AX/SC

2744380

<https://www.phoenixcontact.com/pc/products/2744380>

## Drawings

Schematic diagram



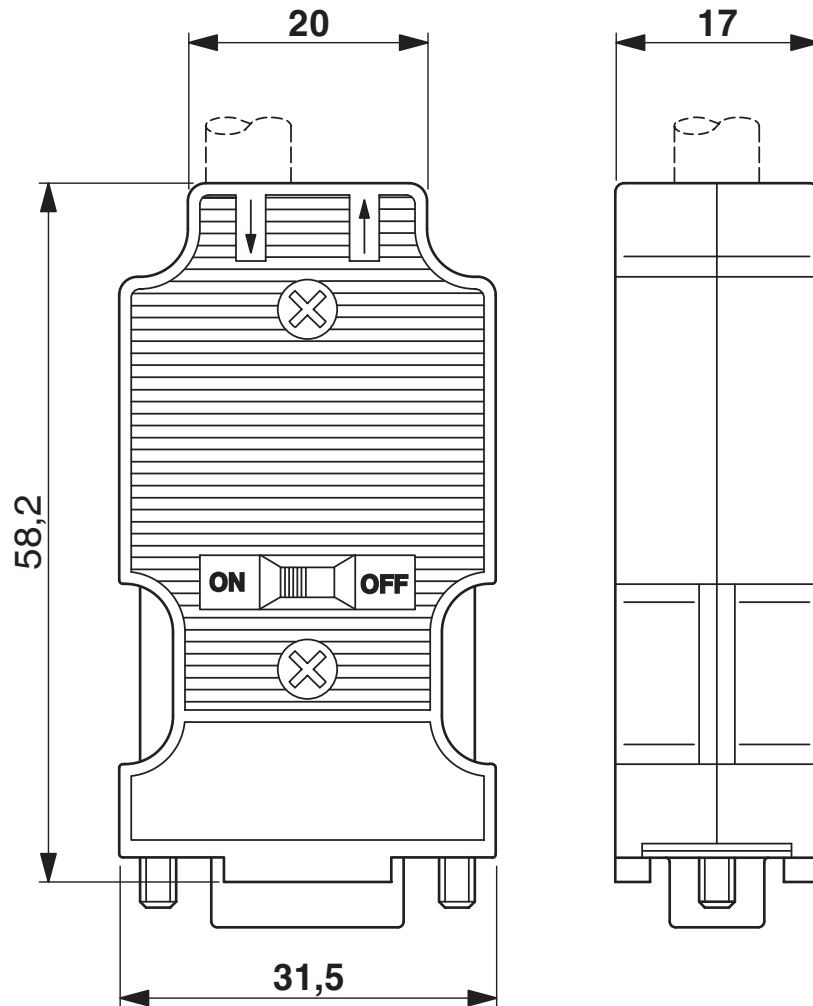
## Function elements

# D-SUB bus connector - SUBCON-PLUS-PROFIB/AX/SC

2744380

<https://www.phoenixcontact.com/pc/products/2744380>

Dimensional drawing



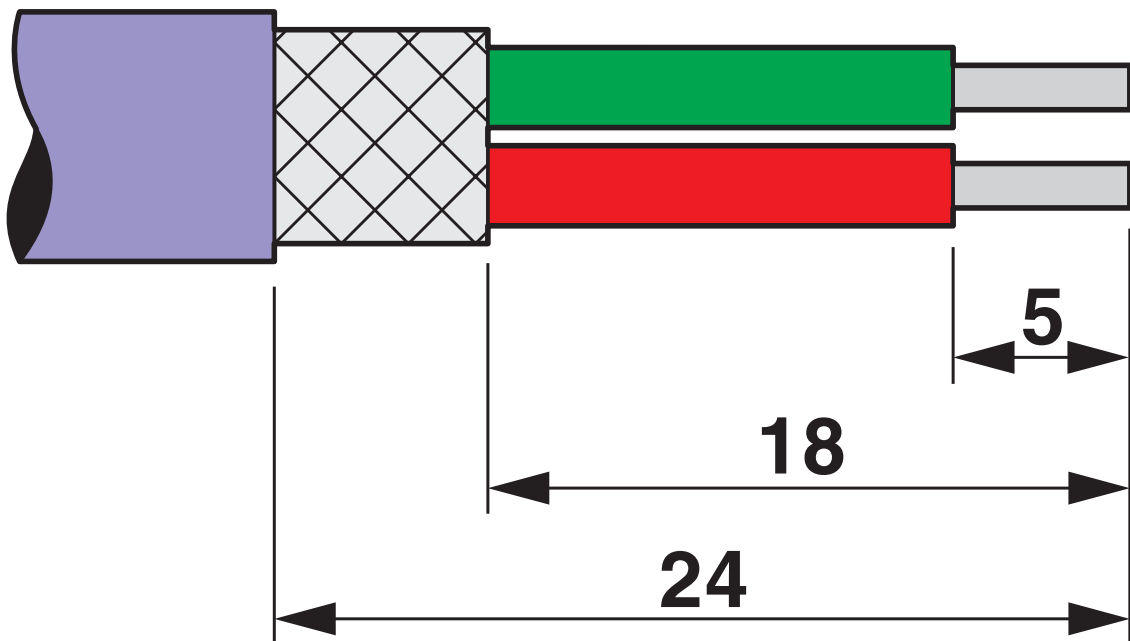
Dimensional drawing

# D-SUB bus connector - SUBCON-PLUS-PROFIB/AX/SC

2744380

<https://www.phoenixcontact.com/pc/products/2744380>

Schematic diagram



Stripping specifications



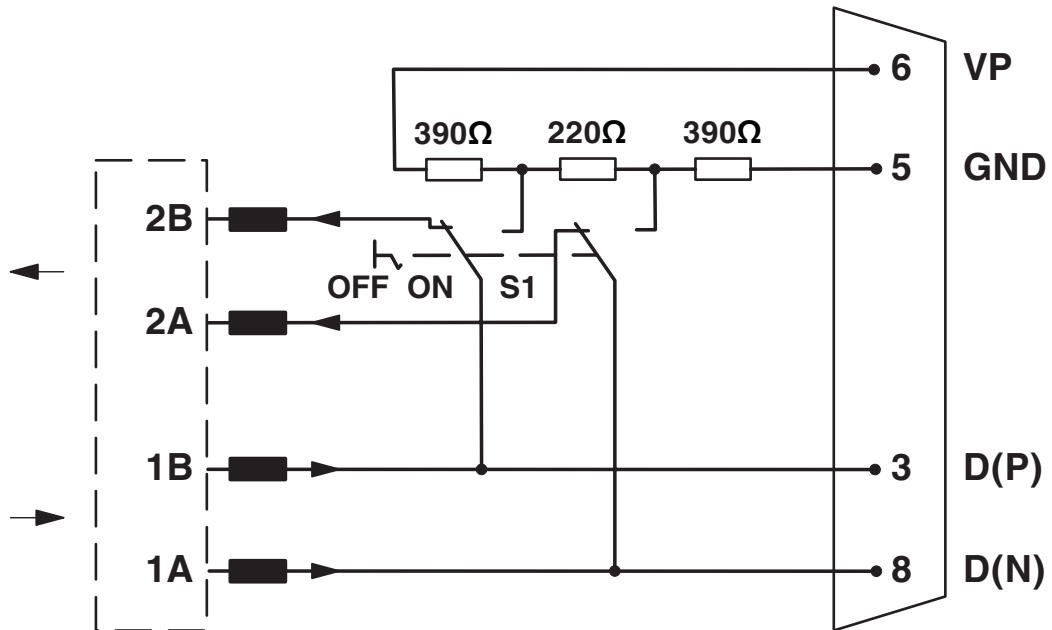
# D-SUB bus connector - SUBCON-PLUS-PROFIB/AX/SC



2744380

<https://www.phoenixcontact.com/pc/products/2744380>

Circuit diagram



Functional diagram of the connector range  
SUBCON-PLUS-PROFIB/...

# D-SUB bus connector - SUBCON-PLUS-PROFIB/AX/SC



2744380

<https://www.phoenixcontact.com/pc/products/2744380>

## Approvals



**cUL Recognized**  
Approval ID: FILE E 238705



**UL Recognized**  
Approval ID: FILE E 238705



**UL Recognized**  
Approval ID: FILE E 238705



**cUL Recognized**  
Approval ID: FILE E 238705



**CSA**  
Approval ID: 2437602



**CSA**  
Approval ID: 2437602

# D-SUB bus connector - SUBCON-PLUS-PROFIB/AX/SC



2744380

<https://www.phoenixcontact.com/pc/products/2744380>

## Classifications

### ECLASS

ECLASS-9.0	27440302
ECLASS-10.0.1	27440302
ECLASS-11.0	27440302

### ETIM

ETIM 8.0	EC001132
----------	----------

### UNSPSC

UNSPSC 21.0	39121400
-------------	----------

# D-SUB bus connector - SUBCON-PLUS-PROFIB/AX/SC



2744380

<https://www.phoenixcontact.com/pc/products/2744380>

## Environmental Product Compliance

China RoHS	Environmentally friendly use period: unlimited = EFUP-e
	No hazardous substances above threshold values

# D-SUB bus connector - SUBCON-PLUS-PROFIB/AX/SC

2744380

<https://www.phoenixcontact.com/pc/products/2744380>

## Accessories

### Screwdriver

Screwdriver - SZF 0-0,4X2,5 - 1204504

<https://www.phoenixcontact.com/pc/products/1204504>



Actuation tool, for ST terminal blocks, also suitable for use as a bladed screwdriver, size: 0.4 x 2.5 x 75 mm, 2-component grip, with non-slip grip

---

### Screwdriver

Screwdriver - SZK PH1 VDE - 1205150

<https://www.phoenixcontact.com/pc/products/1205150>



Screwdriver, PH crosshead, VDE insulated, size: PH 1 x 80 mm, 2-component grip, with non-slip grip

# D-SUB bus connector - SUBCON-PLUS-PROFIB/AX/SC

2744380

<https://www.phoenixcontact.com/pc/products/2744380>

## Termination resistor

Termination resistor - PSI-TERMINATOR-PB-TBUS - 2702636

<https://www.phoenixcontact.com/pc/products/2702636>



Active termination resistor for PROFIBUS and RS-485 bus systems, redundant power supply, routing of the supply voltage via DIN rail connector, electrical isolation, switchable termination, integrated programming interface

---

## D-SUB bus connector

D-SUB bus connector - SUBCON-PLUS-PROFIB/PG/SC2 - 2708245

<https://www.phoenixcontact.com/pc/products/2708245>



D-SUB connector, 9-pos., male connector, 35° cable entry, bus system: PROFIBUS DP up to 12 Mbps with PG D-SUB socket for connecting a programming device, termination resistor can be switched on via slide switch, pin assignment: 3, 5, 6, 8; screw connection terminal blocks

# D-SUB bus connector - SUBCON-PLUS-PROFIB/AX/SC

2744380

<https://www.phoenixcontact.com/pc/products/2744380>

## D-SUB bus connector

D-SUB bus connector - SUBCON-PLUS-PROFIB/90/PG/IDC - 2313685

<https://www.phoenixcontact.com/pc/products/2313685>



D-SUB connector, 9-pos., male connector, 90° cable entry, bus system: PROFIBUS DP up to 12 Mbps with PG D-SUB socket for connecting a programming device, termination resistor can be switched on via slide switch, pin assignment: 3, 5, 6, 8; IDC terminal block connection

---

## D-SUB bus connector

D-SUB bus connector - SUBCON-PLUS-PROFIB/AX - 2744377

<https://www.phoenixcontact.com/pc/products/2744377>



D-SUB connector, 9-pos., male connector, axial version with two cable entries, bus system: PROFIBUS DP up to 12 Mbps, termination resistor can be switched on via slide switch, pin assignment: 3, 5, 6, 8; spring-cage connection terminal blocks

# D-SUB bus connector - SUBCON-PLUS-PROFIB/AX/SC

2744380

<https://www.phoenixcontact.com/pc/products/2744380>

## Stripping pliers

Stripping pliers - QUICK WIREFOX 6 - 1204384

<https://www.phoenixcontact.com/pc/products/1204384>



Stripping tool for cables with PVC insulation, stripping range: 0.08 to 6 mm<sup>2</sup>, wire cutting up to 6 mm<sup>2</sup> flexible or 4 mm<sup>2</sup> rigid

---

## Bus system cable

Bus system cable - PSM-CABLE-PROFIB/FC - 2744652

<https://www.phoenixcontact.com/pc/products/2744652>



By the meter, Bus system cable, PROFIBUS (12 Mbps), shielded, PVC FR VI/PVC, violet, 2-wire (1X2XAWG22/1), color single wire: Red, green, cable length: Free entry (1.0 ... 1000.0 m)



# D-SUB bus connector - SUBCON-PLUS- PROFIB/AX/SC



2744380

<https://www.phoenixcontact.com/pc/products/2744380>

## Stripping tool

Stripping tool - PSM-STRIP-FC/PROFIB - 2744623

<https://www.phoenixcontact.com/pc/products/2744623>

Quick stripping tool for PROFIBUS cable, type Fast Connect



---

Phoenix Contact 2022 © - all rights reserved

<https://www.phoenixcontact.com>

PHOENIX CONTACT GmbH & Co. KG

Flachsmarktstraße 8

D-32825 Blomberg

+49 (0) 5235-3 00

[info@phoenixcontact.com](mailto:info@phoenixcontact.com)