

D-SUB bus connector - SUBCON-PLUS-PROFIB



2744348

<https://www.phoenixcontact.com/pc/products/2744348>

Please be informed that the data shown in this PDF document is generated from our Online Catalog. Please find the complete data in the user documentation. Our General Terms of Use for Downloads are valid.



D-SUB plug, 9-pos., pin, axial version with two 35° cable entries, bus system: PROFIBUS DP up to 12 Mbps, termination resistor can be switched on via slide switch, pin assignment: 3, 5, 6, 8; spring-cage connection terminal blocks

Your advantages

- Suitable for all common Fast Connect PROFIBUS cables and RS-485 bus lines
- Change to the D-SUB orientation through a reversible connection block

D-SUB bus connector - SUBCON-PLUS-PROFIB



2744348

<https://www.phoenixcontact.com/pc/products/2744348>

Commercial Data

Item number	2744348
Packing unit	1 pc
Minimum order quantity	1 pc
Sales Key	07
Product Key	DNC531
Catalog Page	Page 109 (C-6-2019)
GTIN	4017918172947
Weight per Piece (including packing)	54.5 g
Weight per Piece (excluding packing)	39.7 g
Customs tariff number	85366990
Country of origin	DE

Technical Data

Notes

Utilization restriction

CCCex note	Use in potentially explosive areas is not permitted in China.
------------	---

Product properties

Product type	Data plug
MTTF	6706 Years (SN 29500 standard, temperature 25°C, operating cycle 21%)
	1817 Years (SN 29500 standard, temperature 40°C, operating cycle 34.25%)
	155 Years (SN 29500 standard, temperature 40°C, operating cycle 100%)
Pin assignment	3, 5, 6, 8

Electrical properties

Maximum power dissipation for nominal condition	0.025 W
Nominal voltage U_N	5 V
Nominal current I_N	100 mA
Transmission medium	Copper

Connection data

D-SUB connection

Connection method	D-SUB connector
-------------------	-----------------

D-SUB connection

Connection method	Spring-cage connection
Stripping length	5 mm
Conductor cross section solid min.	0.12 mm ²
Conductor cross section solid max.	0.5 mm ²
Conductor cross section AWG min.	26
Conductor cross section AWG max.	20

Interfaces

Bus system	PROFIBUS DP
Signal	PROFIBUS

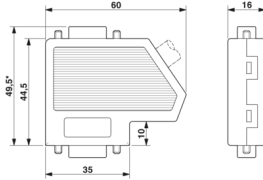
Dimensions

D-SUB bus connector - SUBCON-PLUS-PROFIB



2744348

<https://www.phoenixcontact.com/pc/products/2744348>

Dimensional drawing	
Width	16 mm
Height	49.5 mm
Length	60 mm

External dimensions	
External diameter min.	7.6 mm
External diameter max.	8.4 mm

Material specifications

Housing material	ABS, metal-plated
------------------	-------------------

Connector

Insertion/withdrawal cycles	> 200
Insertion/withdrawal cycles	> 200
Housing material	ABS, metal-plated
Insertion/withdrawal cycles	> 200

Environmental and real-life conditions

Ambient conditions	
Ambient temperature (operation)	-20 °C ... 75 °C
Ambient temperature (storage/transport)	-25 °C ... 80 °C
Altitude	≤ 5000 m (For restrictions, see the manufacturer's declaration for altitude operation)
Permissible humidity (operation)	10 % ... 95 % (non-condensing)
Permissible humidity (storage/transport)	5 % ... 95 % (non-condensing)

Approval data

EAC	
Identification	EAC

EAC	
Identification	<input type="checkbox"/> II 3 G Ex nA IIC T4 Gc X
Note	Please follow the special installation instructions in the documentation!

EAC	
Identification	ISA-S71.04-1985 G3 Harsh Group A

Standards and regulations

D-SUB bus connector - SUBCON-PLUS-PROFIB



2744348

<https://www.phoenixcontact.com/pc/products/2744348>

Free from substances that could impair the application of coating

according to P-VW 3.10.7 57 65 0 VW-AUDI-Seat central standard

D-SUB bus connector - SUBCON-PLUS-PROFIB

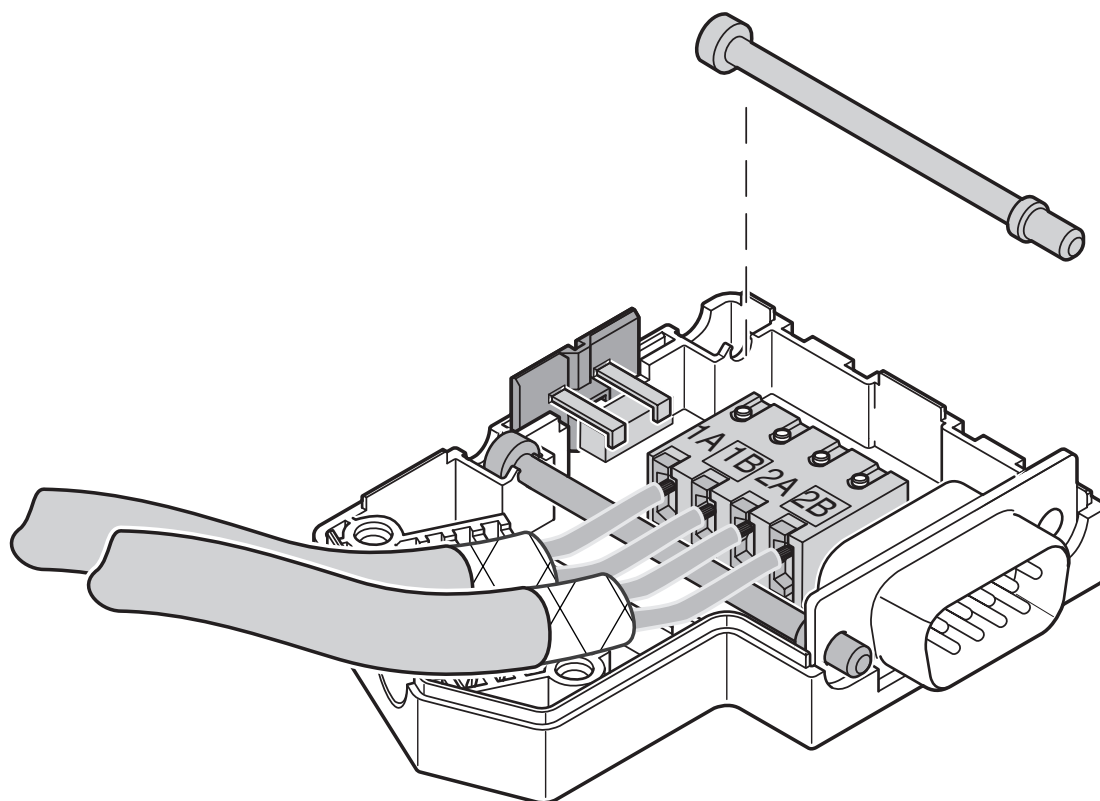


2744348

<https://www.phoenixcontact.com/pc/products/2744348>

Drawings

Schematic diagram



Left-hand side cable entry

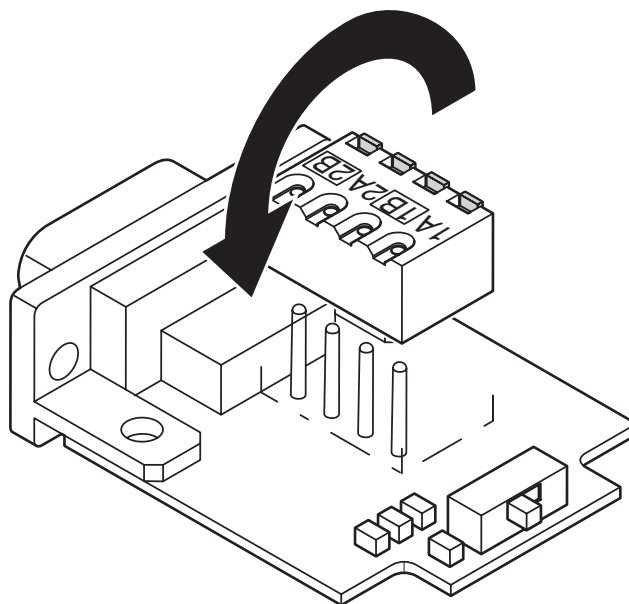
D-SUB bus connector - SUBCON-PLUS-PROFIB

2744348

<https://www.phoenixcontact.com/pc/products/2744348>



Schematic diagram



Right-hand side cable entry

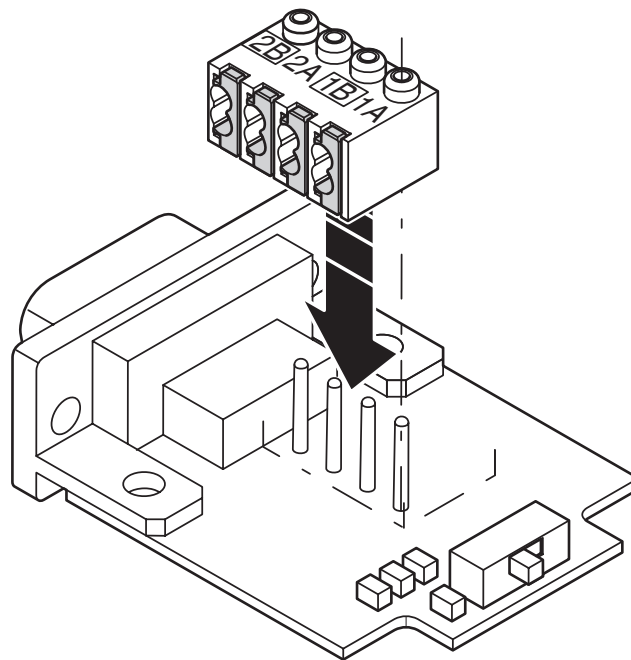
D-SUB bus connector - SUBCON-PLUS-PROFIB

2744348

<https://www.phoenixcontact.com/pc/products/2744348>



Schematic diagram



Right-hand side cable entry

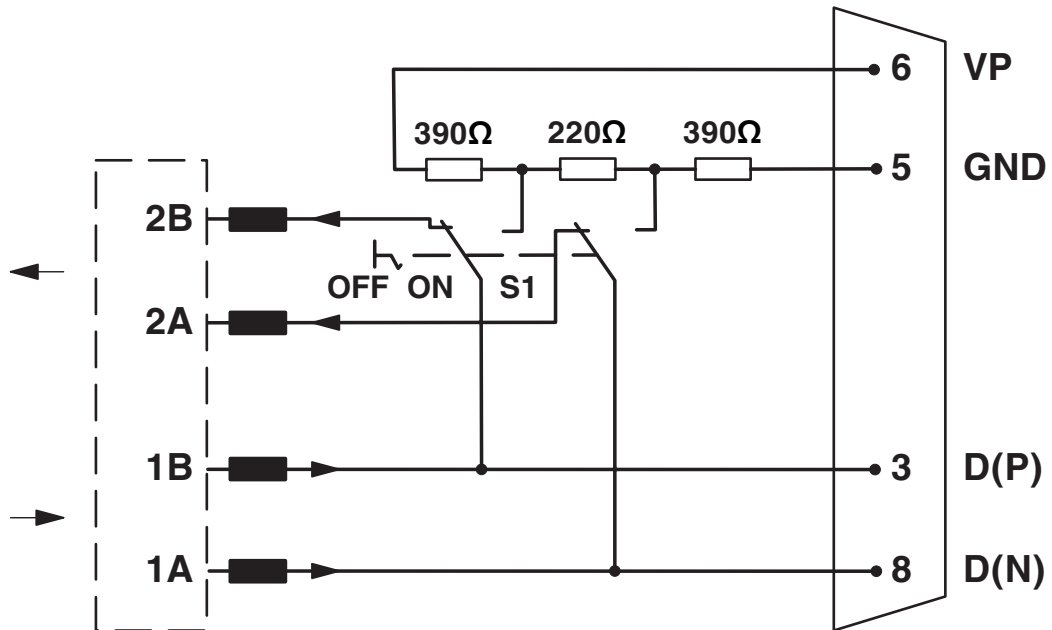
D-SUB bus connector - SUBCON-PLUS-PROFIB



2744348

<https://www.phoenixcontact.com/pc/products/2744348>

Circuit diagram



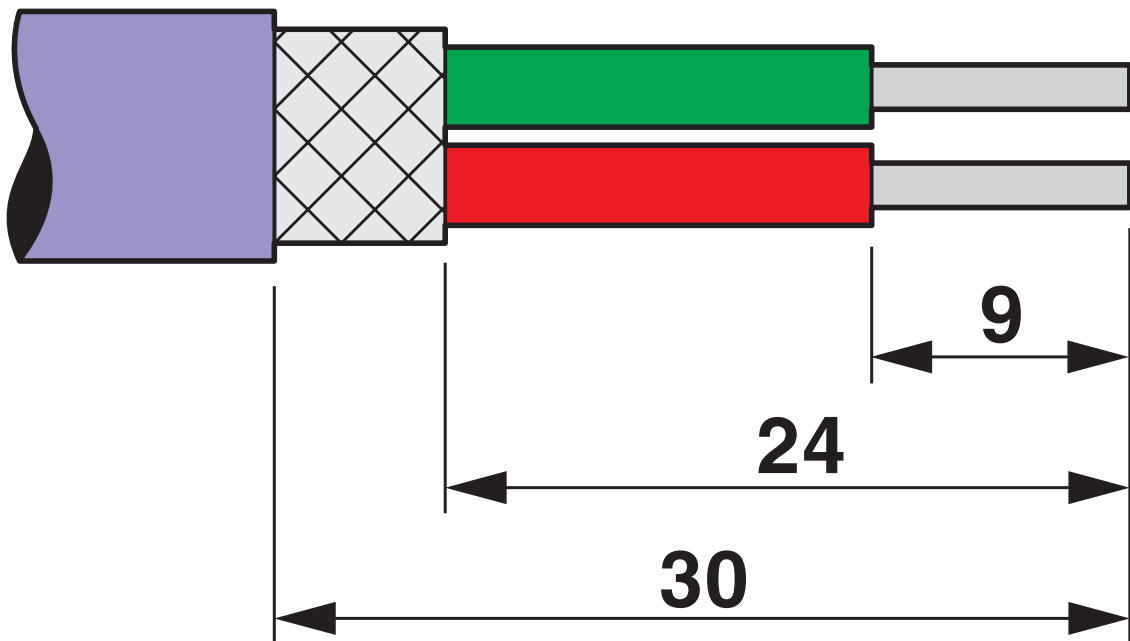
Functional diagram of the connector range
SUBCON-PLUS-PROFIB/...

D-SUB bus connector - SUBCON-PLUS-PROFIB

2744348

<https://www.phoenixcontact.com/pc/products/2744348>

Schematic diagram



Stripping specifications

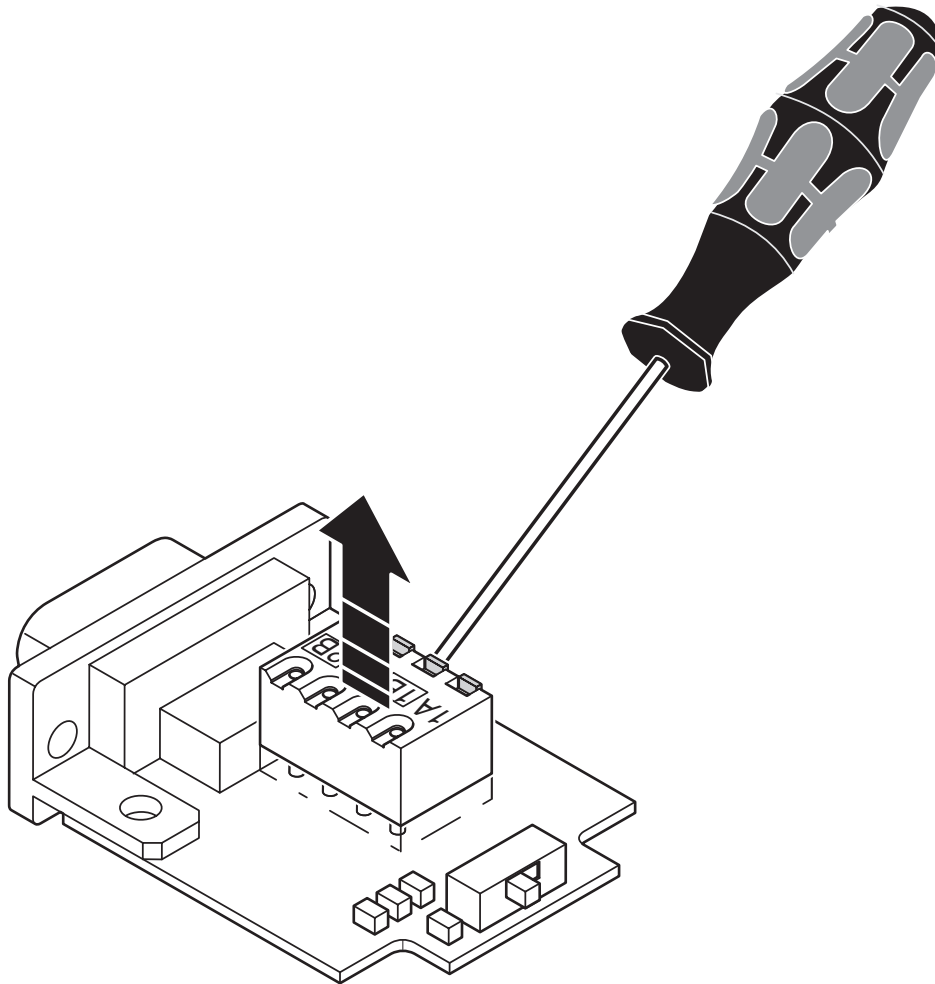
D-SUB bus connector - SUBCON-PLUS-PROFIB

2744348

<https://www.phoenixcontact.com/pc/products/2744348>



Schematic diagram



Right-hand side cable entry

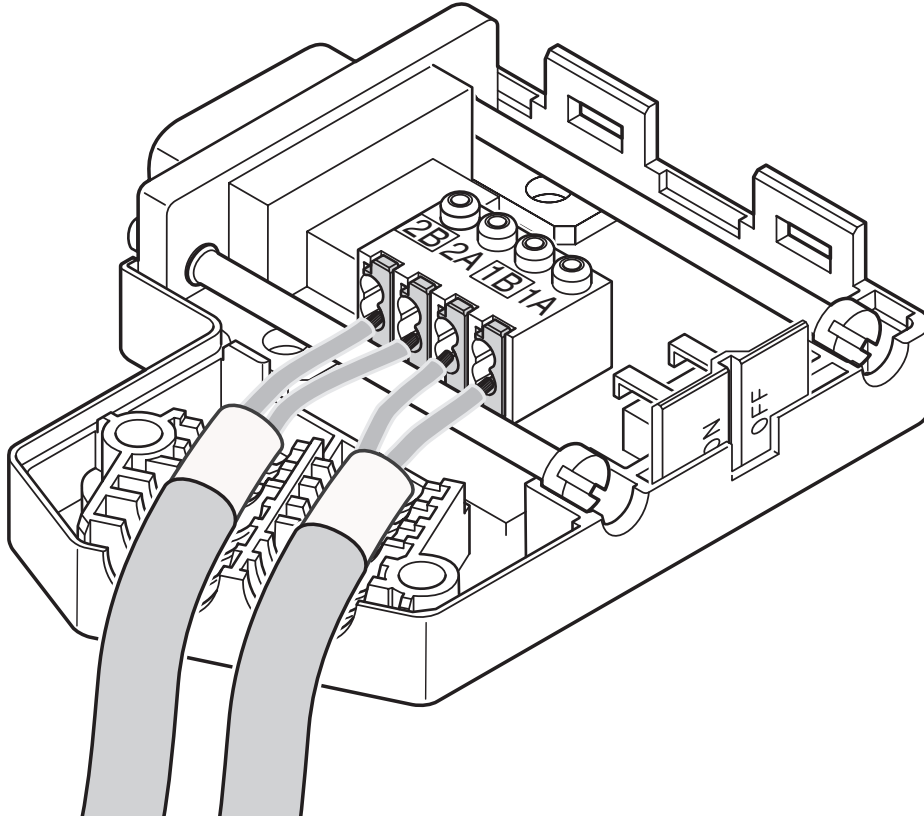
D-SUB bus connector - SUBCON-PLUS-PROFIB



2744348

<https://www.phoenixcontact.com/pc/products/2744348>

Schematic diagram



Right-hand side cable entry

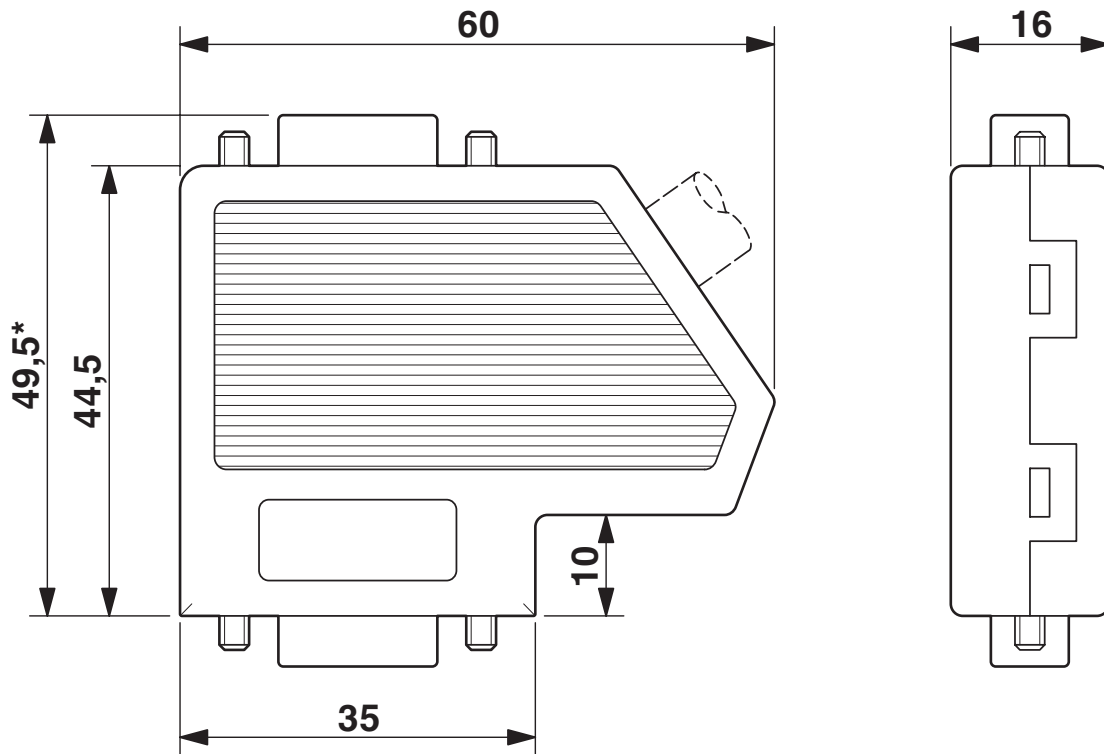
D-SUB bus connector - SUBCON-PLUS-PROFIB

2744348

<https://www.phoenixcontact.com/pc/products/2744348>



Dimensional drawing



Dimensional drawing

D-SUB bus connector - SUBCON-PLUS-PROFIB



2744348

<https://www.phoenixcontact.com/pc/products/2744348>

Approvals



cUL Recognized
Approval ID: FILE E 238705



UL Recognized
Approval ID: FILE E 238705



ATEX
Approval ID: PxCIF15ATEX2744348X

cULus Recognized

D-SUB bus connector - SUBCON-PLUS-PROFIB



2744348

<https://www.phoenixcontact.com/pc/products/2744348>

Classifications

ECLASS

ECLASS-9.0	27440302
ECLASS-10.0.1	27440302
ECLASS-11.0	27440302

ETIM

ETIM 8.0	EC001132
----------	----------

UNSPSC

UNSPSC 21.0	39121400
-------------	----------

D-SUB bus connector - SUBCON-PLUS-PROFIB



2744348

<https://www.phoenixcontact.com/pc/products/2744348>

Environmental Product Compliance

China RoHS	Environmentally friendly use period: unlimited = EFUP-e
	No hazardous substances above threshold values

D-SUB bus connector - SUBCON-PLUS-PROFIB



2744348

<https://www.phoenixcontact.com/pc/products/2744348>

Accessories

Screwdriver

Screwdriver - SZF 0-0,4X2,5 - 1204504

<https://www.phoenixcontact.com/pc/products/1204504>



Actuation tool, for ST terminal blocks, also suitable for use as a bladed screwdriver, size: 0.4 x 2.5 x 75 mm, 2-component grip, with non-slip grip

Screwdriver

Screwdriver - SZK PH1 VDE - 1205150

<https://www.phoenixcontact.com/pc/products/1205150>



Screwdriver, PH crosshead, VDE insulated, size: PH 1 x 80 mm, 2-component grip, with non-slip grip

D-SUB bus connector - SUBCON-PLUS-PROFIB

2744348

<https://www.phoenixcontact.com/pc/products/2744348>

Termination resistor

Termination resistor - PSI-TERMINATOR-PB-TBUS - 2702636

<https://www.phoenixcontact.com/pc/products/2702636>



Active termination resistor for PROFIBUS and RS-485 bus systems, redundant power supply, routing of the supply voltage via DIN rail connector, electrical isolation, switchable termination, integrated programming interface

D-SUB bus connector

D-SUB bus connector - SUBCON-PLUS-PROFIB/PG/SC2 - 2708245

<https://www.phoenixcontact.com/pc/products/2708245>



D-SUB connector, 9-pos., male connector, 35° cable entry, bus system: PROFIBUS DP up to 12 Mbps with PG D-SUB socket for connecting a programming device, termination resistor can be switched on via slide switch, pin assignment: 3, 5, 6, 8; screw connection terminal blocks

D-SUB bus connector - SUBCON-PLUS-PROFIB

2744348

<https://www.phoenixcontact.com/pc/products/2744348>

D-SUB bus connector

D-SUB bus connector - SUBCON-PLUS-PROFIB/90/PG/IDC - 2313685

<https://www.phoenixcontact.com/pc/products/2313685>



D-SUB connector, 9-pos., male connector, 90° cable entry, bus system: PROFIBUS DP up to 12 Mbps with PG D-SUB socket for connecting a programming device, termination resistor can be switched on via slide switch, pin assignment: 3, 5, 6, 8; IDC terminal block connection

D-SUB bus connector

D-SUB bus connector - SUBCON-PLUS-PROFIB/AX/SC - 2744380

<https://www.phoenixcontact.com/pc/products/2744380>



D-SUB connector, 9-pos., male connector, axial version with two cable entries, bus system: PROFIBUS DP up to 12 Mbps, termination resistor can be switched on via slide switch, pin assignment: 3, 5, 6, 8; screw connection terminal blocks

D-SUB bus connector - SUBCON-PLUS-PROFIB



2744348

<https://www.phoenixcontact.com/pc/products/2744348>

Stripping pliers

Stripping pliers - QUICK WIREFOX 6 - 1204384

<https://www.phoenixcontact.com/pc/products/1204384>



Stripping tool for cables with PVC insulation, stripping range: 0.08 to 6 mm², wire cutting up to 6 mm² flexible or 4 mm² rigid

Bus system cable

Bus system cable - PSM-CABLE-PROFIB/FC - 2744652

<https://www.phoenixcontact.com/pc/products/2744652>



By the meter, Bus system cable, PROFIBUS (12 Mbps), shielded, PVC FR VI/PVC, violet, 2-wire (1X2XAWG22/1), color single wire: Red, green, cable length: Free entry (1.0 ... 1000.0 m)

D-SUB bus connector - SUBCON-PLUS-PROFIB



2744348

<https://www.phoenixcontact.com/pc/products/2744348>

Stripping tool

Stripping tool - PSM-STRIP-FC/PROFIB - 2744623

<https://www.phoenixcontact.com/pc/products/2744623>

Quick stripping tool for PROFIBUS cable, type Fast Connect



Phoenix Contact 2022 © - all rights reserved

<https://www.phoenixcontact.com>

PHOENIX CONTACT GmbH & Co. KG

Flachsmarktstraße 8

D-32825 Blomberg

+49 (0) 5235-3 00

info@phoenixcontact.com