

D-SUB bus connector - SUBCON-PLUS-PROFIB/90/PG/IDC



2313685

<https://www.phoenixcontact.com/pc/products/2313685>

Please be informed that the data shown in this PDF document is generated from our Online Catalog. Please find the complete data in the user documentation. Our General Terms of Use for Downloads are valid.



D-SUB connector, 9-pos., male connector, 90° cable entry, bus system: PROFIBUS DP up to 12 Mbps with PG D-SUB socket for connecting a programming device, termination resistor can be switched on via slide switch, pin assignment: 3, 5, 6, 8; IDC terminal block connection

Product Description

The D-SUB series, **SUBCON-PLUS-PROFIB/...** was specially designed for use in PROFIBUS systems up to 12 Mbps. Under field conditions, it allows convenient and fast connection of the incoming and outgoing bus cable. The terminating resistor is already integrated in all versions. It can be connected externally by means of a slide switch. At the same time, the outgoing bus segment is switched off. This makes it easy to start up segment by segment while incorrect terminations are avoided.

Your advantages

- Suitable for all common Fast Connect PROFIBUS cables and RS-485 bus lines

D-SUB bus connector - SUBCON-PLUS- PROFIB/90/PG/IDC



2313685

<https://www.phoenixcontact.com/pc/products/2313685>

Commercial Data

Item number	2313685
Packing unit	1 pc
Minimum order quantity	1 pc
Product Key	DNC531
Catalog Page	Page 447 (C-6-2019)
GTIN	4046356514576
Weight per Piece (including packing)	45.3 g
Weight per Piece (excluding packing)	41 g
Customs tariff number	85366990
Country of origin	DE

D-SUB bus connector - SUBCON-PLUS-PROFIB/90/PG/IDC

2313685

<https://www.phoenixcontact.com/pc/products/2313685>

Technical Data

Product properties

Product type	Data plug
MTTF	6706 Years (SN 29500 standard, temperature 25°C, operating cycle 21%)
	1817 Years (SN 29500 standard, temperature 40°C, operating cycle 34.25%)
	155 Years (SN 29500 standard, temperature 40°C, operating cycle 100%)
Pin assignment	3, 5, 6, 8

Electrical properties

Test voltage	50 V
Maximum power dissipation for nominal condition	0.025 W
Nominal voltage U_N	5 V
Nominal current I_N	100 mA

Connection data

D-SUB connection

Connection method	D-SUB connector
-------------------	-----------------

D-SUB connection

Connection method	IDC fast connection
Conductor cross section solid min.	0.32 mm ²
Conductor cross section solid max.	1 mm ²
Conductor cross section flexible min.	0.32 mm ²
Conductor cross section flexible max.	1 mm ²
Conductor cross section AWG min.	22
Conductor cross section AWG max.	18

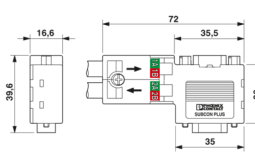
D-SUB connection

Connection method	D-SUB socket
-------------------	--------------

Interfaces

Bus system	PROFIBUS DP
Signal	PROFIBUS

Dimensions

Dimensional drawing	
---------------------	--

D-SUB bus connector - SUBCON-PLUS-PROFIB/90/PG/IDC



2313685

<https://www.phoenixcontact.com/pc/products/2313685>

Width	16.8 mm
Height	34.8 mm
Length	72 mm

External dimensions

External diameter min.	7.6 mm
External diameter max.	8.4 mm

Material specifications

Housing material	ABS, metal-plated
------------------	-------------------

Connector

Insertion/withdrawal cycles	> 200
Insertion/withdrawal cycles	> 200
Housing material	ABS, metal-plated
Insertion/withdrawal cycles	> 200

Environmental and real-life conditions

Ambient conditions

Degree of protection	IP40
Ambient temperature (operation)	-20 °C ... 75 °C
Ambient temperature (storage/transport)	-25 °C ... 80 °C
Altitude	≤ 5000 m (For restrictions, see the manufacturer's declaration for altitude operation)
Permissible humidity (operation)	10 % ... 95 % (non-condensing)
Permissible humidity (storage/transport)	5 % ... 95 % (non-condensing)

Approval data

EAC

Identification	EAC
----------------	-----

EAC

Identification	ISA-S71.04-1985 G3 Harsh Group A
----------------	----------------------------------

Standards and regulations

Free from substances that could impair the application of coating	according to P-VW 3.10.7 57 65 0 VW-AUDI-Seat central standard
---	--

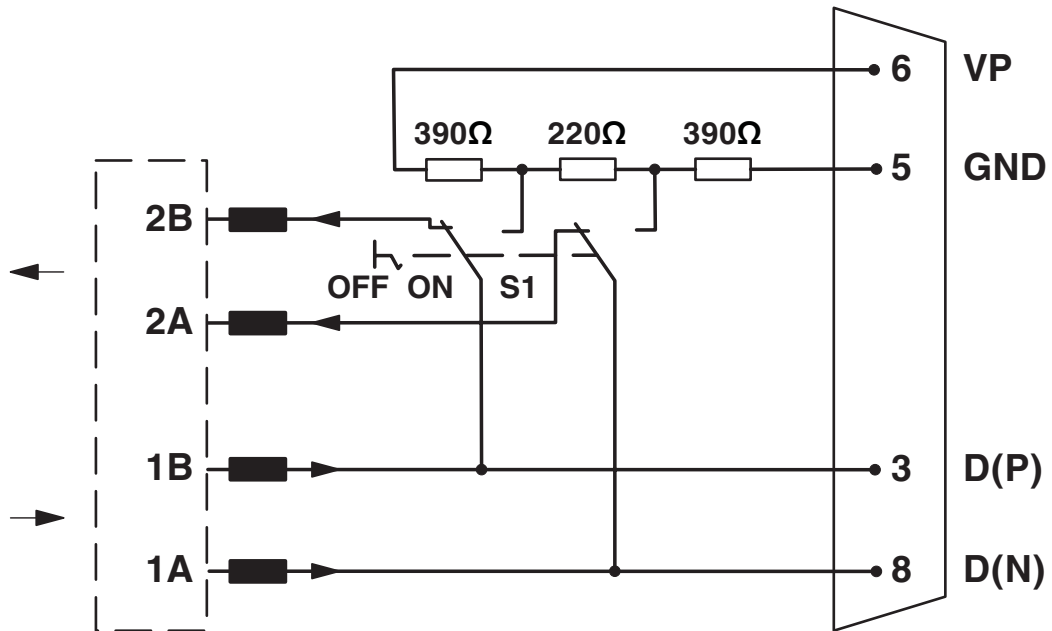
D-SUB bus connector - SUBCON-PLUS-PROFIB/90/PG/IDC

2313685

<https://www.phoenixcontact.com/pc/products/2313685>

Drawings

Circuit diagram



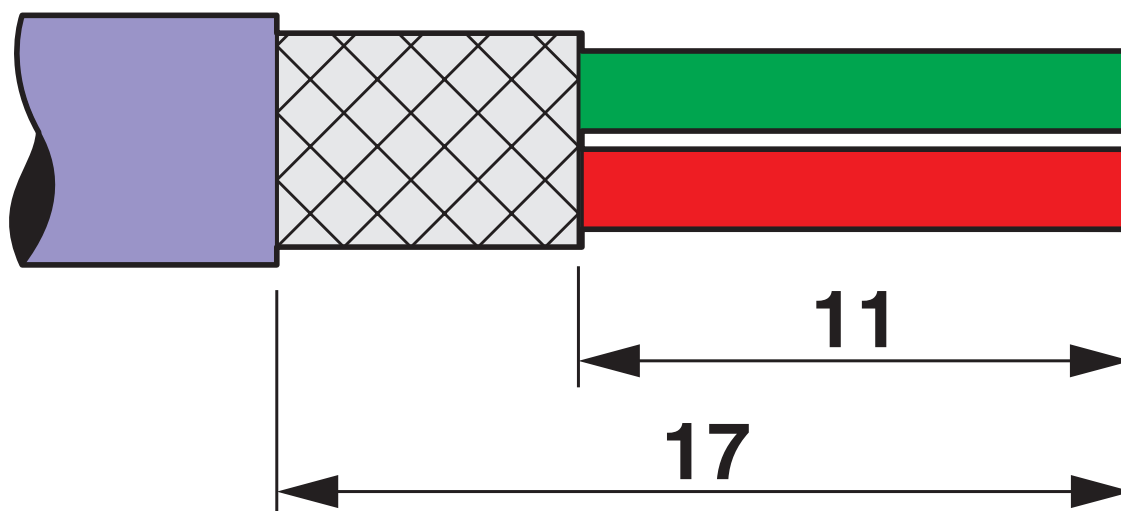
Functional diagram of the connector range
SUBCON-PLUS-PROFIB/...

D-SUB bus connector - SUBCON-PLUS-PROFIB/90/PG/IDC

2313685

<https://www.phoenixcontact.com/pc/products/2313685>

Schematic diagram



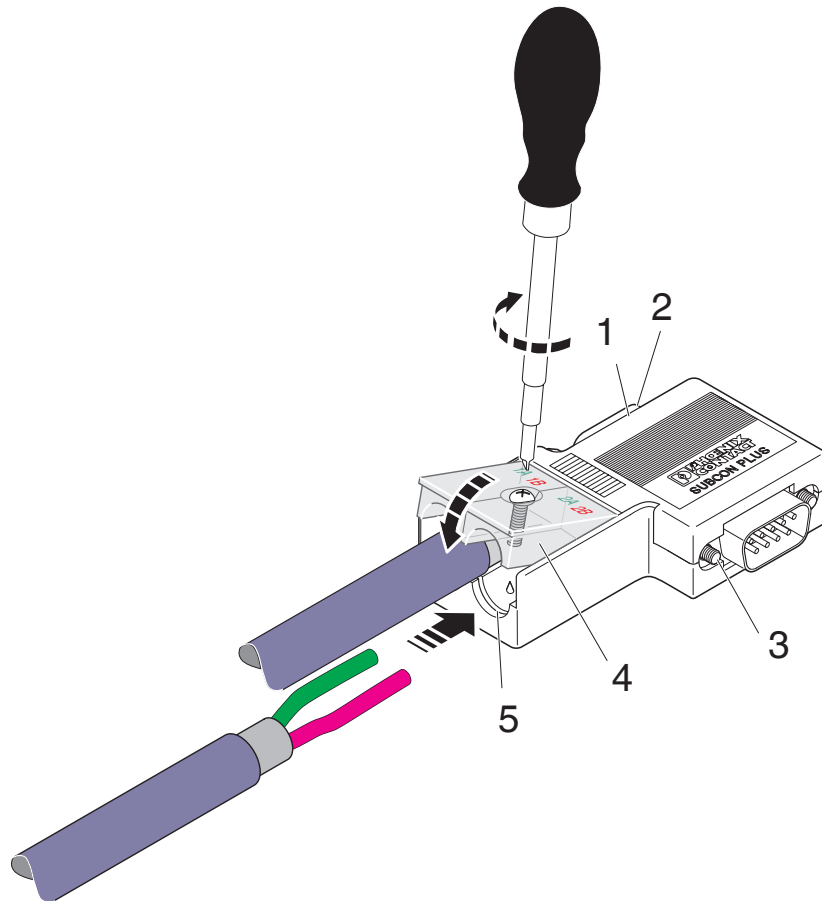
Stripping specifications

D-SUB bus connector - SUBCON-PLUS- PROFIB/90/PG/IDC

2313685

<https://www.phoenixcontact.com/pc/products/2313685>

Schematic diagram



Connecting cables

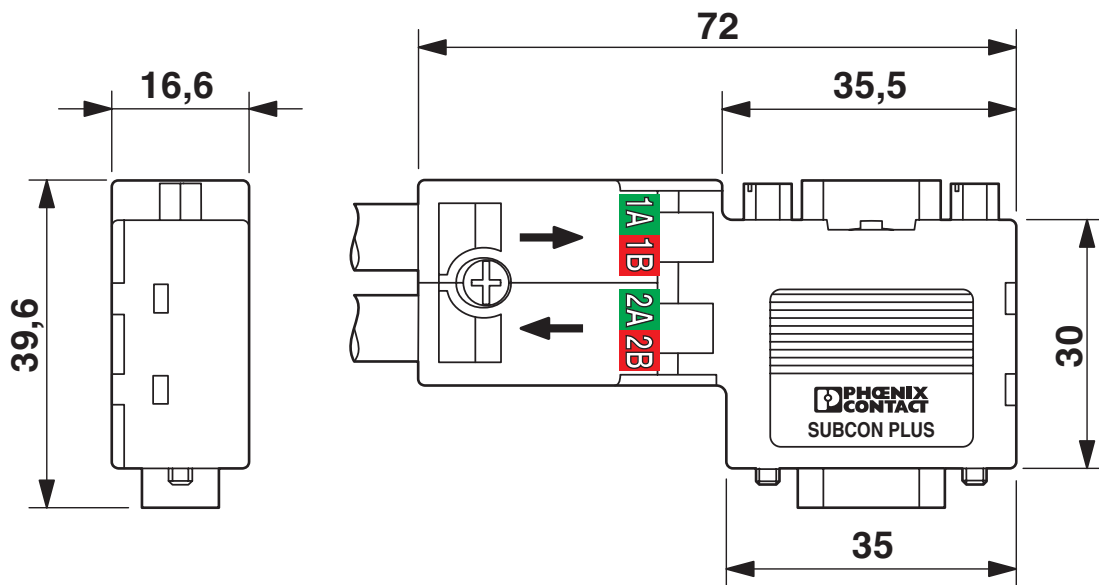
D-SUB bus connector - SUBCON-PLUS- PROFIB/90/PG/IDC



2313685

<https://www.phoenixcontact.com/pc/products/2313685>

Dimensional drawing



Dimensional drawing

D-SUB bus connector - SUBCON-PLUS- PROFIB/90/PG/IDC



2313685

<https://www.phoenixcontact.com/pc/products/2313685>

Approvals



cUL Recognized
Approval ID: FILE E 238705



UL Recognized
Approval ID: FILE E 238705



CSA
Approval ID: 2437602

cULus Recognized

D-SUB bus connector - SUBCON-PLUS- PROFIB/90/PG/IDC



2313685

<https://www.phoenixcontact.com/pc/products/2313685>

Classifications

ECLASS

ECLASS-9.0	27440302
ECLASS-10.0.1	27440302
ECLASS-11.0	27440302

ETIM

ETIM 8.0	EC001132
----------	----------

UNSPSC

UNSPSC 21.0	39121400
-------------	----------

D-SUB bus connector - SUBCON-PLUS- PROFIB/90/PG/IDC



2313685

<https://www.phoenixcontact.com/pc/products/2313685>

Environmental Product Compliance

REACH SVHC	Lead 7439-92-1
China RoHS	Environmentally Friendly Use Period = 50 years
	For information on hazardous substances, refer to the manufacturer's declaration available under "Downloads"

D-SUB bus connector - SUBCON-PLUS- PROFIB/90/PG/IDC

2313685

<https://www.phoenixcontact.com/pc/products/2313685>

Accessories

Screwdriver

Screwdriver - SZF 0-0,4X2,5 - 1204504

<https://www.phoenixcontact.com/pc/products/1204504>



Actuation tool, for ST terminal blocks, also suitable for use as a bladed screwdriver, size: 0.4 x 2.5 x 75 mm, 2-component grip, with non-slip grip

Screwdriver

Screwdriver - SZK PH1 VDE - 1205150

<https://www.phoenixcontact.com/pc/products/1205150>



Screwdriver, PH crosshead, VDE insulated, size: PH 1 x 80 mm, 2-component grip, with non-slip grip

D-SUB bus connector - SUBCON-PLUS-PROFIB/90/PG/IDC

2313685

<https://www.phoenixcontact.com/pc/products/2313685>

Termination resistor

Termination resistor - PSI-TERMINATOR-PB-TBUS - 2702636

<https://www.phoenixcontact.com/pc/products/2702636>



Active termination resistor for PROFIBUS and RS-485 bus systems, redundant power supply, routing of the supply voltage via DIN rail connector, electrical isolation, switchable termination, integrated programming interface

D-SUB bus connector

D-SUB bus connector - SUBCON-PLUS-PROFIB/90/IDC - 2313672

<https://www.phoenixcontact.com/pc/products/2313672>



D-SUB connector, 9-pos., male connector, 90° cable entry, bus system: PROFIBUS DP up to 12 Mbps, termination resistor can be switched on via slide switch, pin assignment: 3, 5, 6, 8; IDC terminal block connection

D-SUB bus connector - SUBCON-PLUS-PROFIB/90/PG/IDC

2313685

<https://www.phoenixcontact.com/pc/products/2313685>

D-SUB bus connector

D-SUB bus connector - SUBCON-PLUS-PROFIB/PG/SC2 - 2708245

<https://www.phoenixcontact.com/pc/products/2708245>



D-SUB connector, 9-pos., male connector, 35° cable entry, bus system: PROFIBUS DP up to 12 Mbps with PG D-SUB socket for connecting a programming device, termination resistor can be switched on via slide switch, pin assignment: 3, 5, 6, 8; screw connection terminal blocks

D-SUB bus connector

D-SUB bus connector - SUBCON-PLUS-PROFIB/AX/SC - 2744380

<https://www.phoenixcontact.com/pc/products/2744380>



D-SUB connector, 9-pos., male connector, axial version with two cable entries, bus system: PROFIBUS DP up to 12 Mbps, termination resistor can be switched on via slide switch, pin assignment: 3, 5, 6, 8; screw connection terminal blocks

D-SUB bus connector - SUBCON-PLUS-PROFIB/90/PG/IDC

2313685

<https://www.phoenixcontact.com/pc/products/2313685>

D-SUB bus connector

D-SUB bus connector - SUBCON-PLUS-PROFIB/90/PG/SC - 2313708

<https://www.phoenixcontact.com/pc/products/2313708>



D-SUB connector, 9-pos., male connector, 90° cable entry, bus system: PROFIBUS DP up to 12 Mbps with PG D-SUB socket for connecting a programming device, termination resistor can be switched on via slide switch, pin assignment: 3, 5, 6, 8; screw connection terminal blocks

Stripping pliers

Stripping pliers - QUICK WIREFOX 6 - 1204384

<https://www.phoenixcontact.com/pc/products/1204384>



Stripping tool for cables with PVC insulation, stripping range: 0.08 to 6 mm², wire cutting up to 6 mm² flexible or 4 mm² rigid

D-SUB bus connector - SUBCON-PLUS-PROFIB/90/PG/IDC



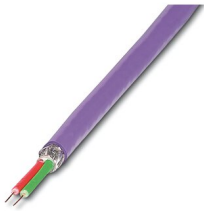
2313685

<https://www.phoenixcontact.com/pc/products/2313685>

Bus system cable

Bus system cable - PSM-CABLE-PROFIB/FC - 2744652

<https://www.phoenixcontact.com/pc/products/2744652>



By the meter, Bus system cable, PROFIBUS (12 Mbps), shielded, PVC FR VI/PVC, violet, 2-wire (1X2XAWG22/1), color single wire: Red, green, cable length: Free entry (1.0 ... 1000.0 m)

Stripping tool

Stripping tool - PSM-STRIP-FC/PROFIB - 2744623

<https://www.phoenixcontact.com/pc/products/2744623>

Quick stripping tool for PROFIBUS cable, type Fast Connect



Phoenix Contact 2022 © - all rights reserved

<https://www.phoenixcontact.com>

PHOENIX CONTACT GmbH & Co. KG

Flachsmarktstraße 8

D-32825 Blomberg

+49 (0) 5235-3 00

info@phoenixcontact.com