

PCB header - PSC 1,5/ 5-M

1841899

<https://www.phoenixcontact.com/de/produkte/1841899>



Please be informed that the data shown in this PDF document is generated from our Online Catalog. Please find the complete data in the user documentation. Our General Terms of Use for Downloads are valid.



PCB headers, nominal cross section: 1.5 mm², color: green, nominal current: 8 A, rated voltage (III/2): 320 V, contact surface: Tin, type of contact: Male connector, number of potentials: 5, number of rows: 1, number of positions: 5, number of connections: 5, product range: PSC 1,5/..-M, pitch: 3.5 mm, pin layout: Zigzag pinning W, solder pin [P]: 3.5 mm, number of solder pins per potential: 1, plug-in system: PSC 1,5, Electrical properties: shielded, Pin connector pattern alignment: Standard, locking: Screw locking, mounting: Threaded flange, type of packaging: packed in cardboard

Your advantages

- Well-known connection principle allows worldwide use
- Shroud for professional EMC shield feed-through on the inside of the device
- Screwable flange for superior mechanical stability

PCB header - PSC 1,5/ 5-M

1841899

<https://www.phoenixcontact.com/de/produkte/1841899>



Commercial Data

Item number	1841899
Packing unit	50 pc
Minimum order quantity	50 pc
Sales Key	E1 - Leiterplattenanschl.
Product Key	AABWPB
Catalog Page	Page 253 (C-1-2013)
GTIN	4017918111878
Weight per Piece (including packing)	8,16 g
Weight per Piece (excluding packing)	7,65 g
Customs tariff number	85366930
Country of origin	PL

Technical Data

Product properties

Type	Headers with shielding
Product line	COMBICON Connectors S
Product type	PCB headers
Number of positions	5
Pitch	3.5 mm
Number of connections	5
Number of rows	1
Mounting flange	without
Number of potentials	5
Pin layout	Zigzag pinning W
Electrical characteristic	shielded

Electrical properties

Nominal current I_N	8 A
Nominal voltage U_N	320 V
Pollution degree	3
Rated voltage (III/3)	250 V
Rated surge voltage (III/3)	4 kV
Rated voltage (III/2)	320 V
Rated surge voltage (III/2)	4 kV
Electrical characteristic	shielded

Mounting

Mounting type Wave soldering	Wave soldering
Mounting type	Wave soldering

Material specifications

Material data - contact

Note	WEEE/RoHS-compliant, free of whiskers according to IEC 60068-2-82/JEDEC JESD 201
Contact material	Cu alloy
Surface characteristics	Tin-plated
Metal surface contact area (top layer)	Tin (5 - 7 μm Sn)
Metal surface contact area (middle layer)	Nickel (2 - 3 μm Ni)
Metal surface soldering area (top layer)	Tin (5 - 7 μm Sn)
Metal surface soldering area (middle layer)	Nickel (2 - 3 μm Ni)

Material data - housing

Housing color	green (6021)
Insulating material	PA
Insulating material group	I

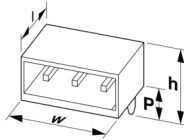
PCB header - PSC 1,5/ 5-M

1841899

<https://www.phoenixcontact.com/de/produkte/1841899>

CTI according to IEC 60112	600
Flammability rating according to UL 94	V0
Glow wire flammability index GWFI according to EN 60695-2-12	850
Glow wire ignition temperature GWIT according to EN 60695-2-13	775
Temperature for the ball pressure test according to EN 60695-10-2	125 °C

Dimensions

Dimensional drawing	
Pitch	3.5 mm
Width [w]	39.1 mm
Height [h]	17.15 mm
Length [l]	20.85 mm
Installed height	13.65 mm
Solder pin length [P]	3.5 mm

PCB design

Pin spacing	3.50 mm
-------------	---------

Electrical tests

Air clearances and creepage distances |

Insulating material group	I
Rated insulation voltage (III/3)	250 V
Rated surge voltage (III/3)	4 kV
Rated insulation voltage (III/2)	320 V
Rated surge voltage (III/2)	4 kV
Rated insulation voltage (II/2)	630 V
Rated surge voltage (II/2)	4 kV

Packaging specifications

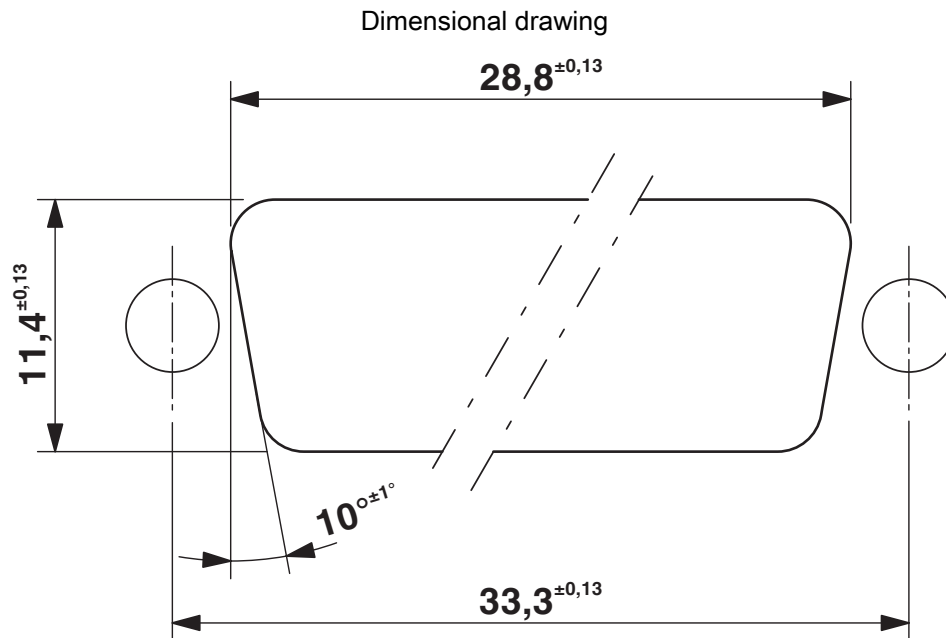
Type of packaging	packed in cardboard
-------------------	---------------------

PCB header - PSC 1,5/ 5-M

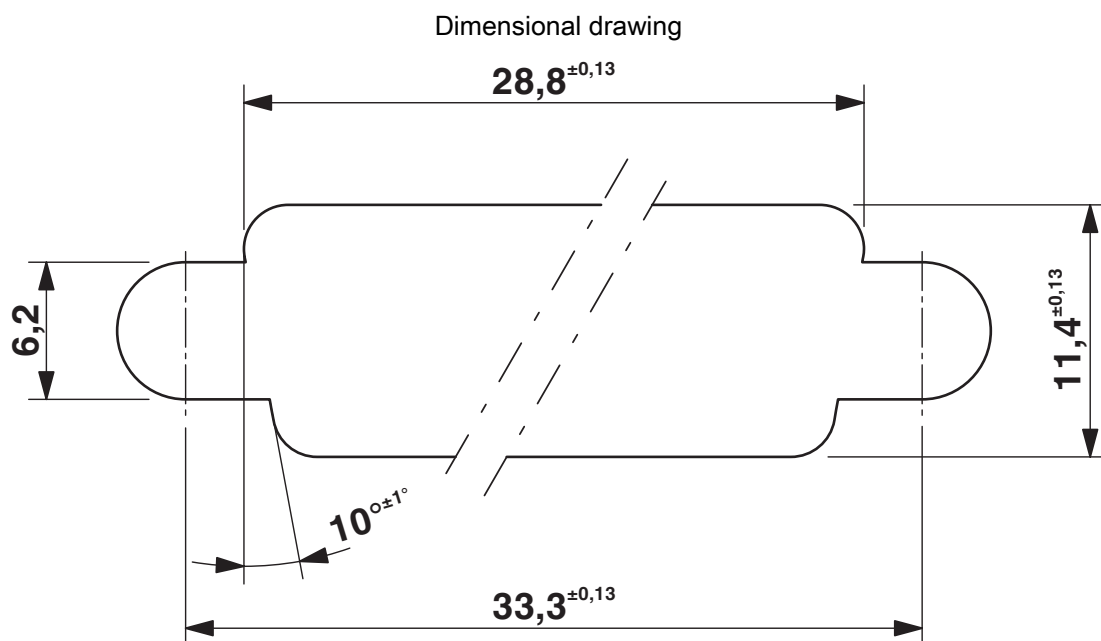
1841899

<https://www.phoenixcontact.com/de/produkte/1841899>

Drawings

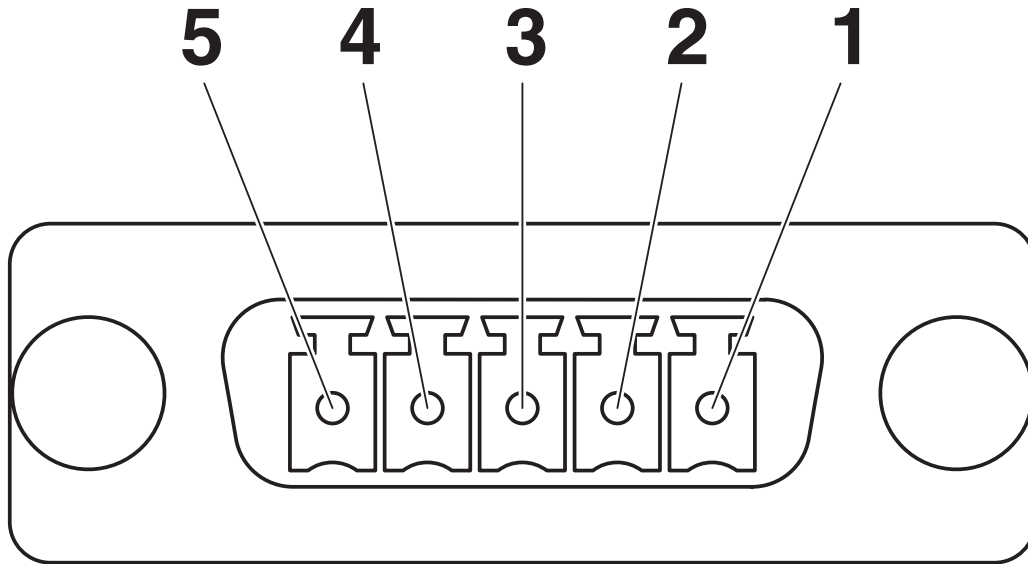


Panel cutout in acc. with DIN 41652-3 for wall up to 2.0 mm thick

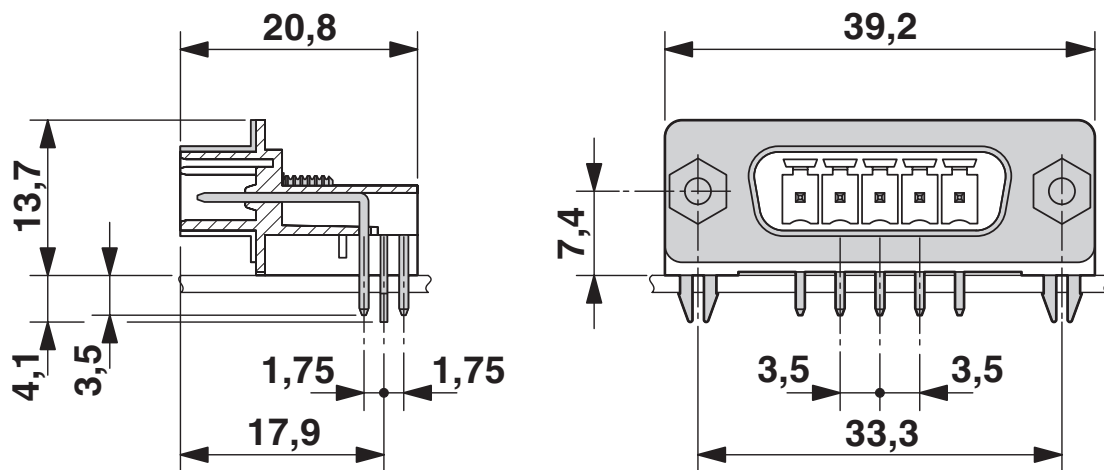


Panel cutout in acc. with DIN 41652-3 for walls up to 4.5 mm thick

Schematic diagram



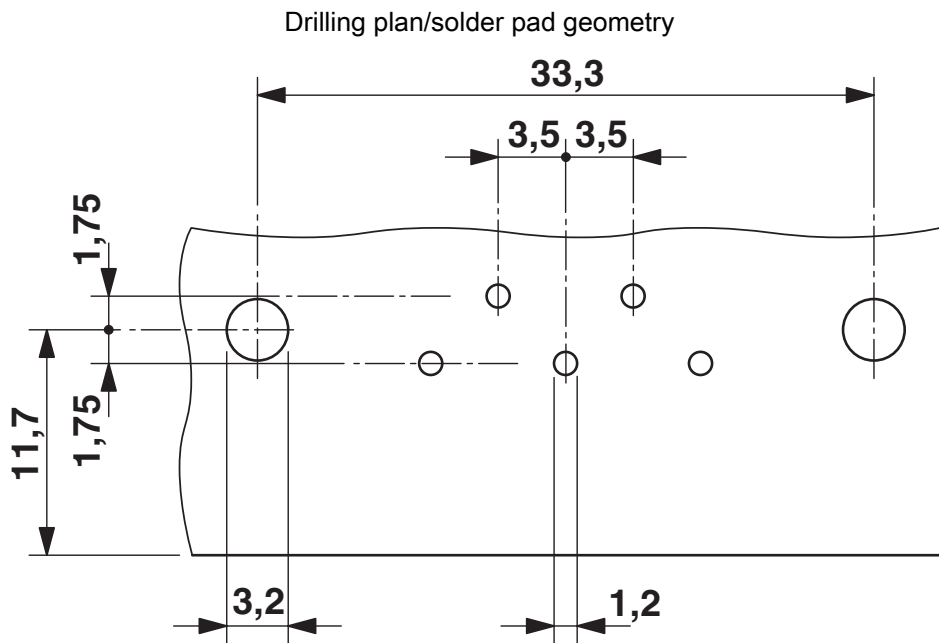
Dimensional drawing



PCB header - PSC 1,5/ 5-M

1841899

<https://www.phoenixcontact.com/de/produkte/1841899>




PCB header - PSC 1,5/ 5-M




1841899

<https://www.phoenixcontact.com/de/produkte/1841899>

Approvals

 CSA Approval ID: 13631				
	Nominal Voltage U_N	Nominal Current I_N	Cross Section AWG	Cross Section mm^2
Use group B				
	300 V	8 A	-	-
Use group D				
	300 V	8 A	-	-

 EAC Approval ID: B.01687				
--	--	--	--	--

 cULus Recognized Approval ID: E60425-19920306				
	Nominal Voltage U_N	Nominal Current I_N	Cross Section AWG	Cross Section mm^2
Use group B				
	300 V	8 A	-	-
Use group D				
	300 V	8 A	-	-

PCB header - PSC 1,5/ 5-M

1841899

<https://www.phoenixcontact.com/de/produkte/1841899>



Classifications

ECLASS

ECLASS-10.0.1	27440402
ECLASS-9.0	27440402
ECLASS-11.0	27460201

ETIM

ETIM 8.0	EC002637
----------	----------

UNSPSC

UNSPSC 21.0	39121400
-------------	----------

PCB header - PSC 1,5/ 5-M

1841899

<https://www.phoenixcontact.com/de/produkte/1841899>



Environmental Product Compliance

REACH SVHC	Lead 7439-92-1
China RoHS	Environmentally Friendly Use Period = 50 years
	For information on hazardous substances, refer to the manufacturer's declaration available under "Downloads"

PCB header - PSC 1,5/ 5-M

1841899

<https://www.phoenixcontact.com/de/produkte/1841899>

Accessories

Printed-circuit board connector

Printed-circuit board connector - PSC 1,5/ 5-F - 1841912

<https://www.phoenixcontact.com/de/produkte/1841912>



PCB connector, nominal cross section: 1.5 mm², color: green, nominal current: 8 A, rated voltage (III/2): 320 V, contact surface: Tin, type of contact: Female connector, number of potentials: 5, number of rows: 1, number of positions: 5, number of connections: 5, product range: PSC 1,5/..-F, pitch: 3.5 mm, connection method: Screw connection with tension sleeve, screw head form: L Slotted, conductor/PCB connection direction: 0 °, number of solder pins per potential: 1, plug-in system: PSC 1,5, Electrical properties: shielded, locking: Screw locking, mounting: without, type of packaging: packed in cardboard

Phoenix Contact 2022 © - all rights reserved
<https://www.phoenixcontact.com>

PHOENIX CONTACT Deutschland GmbH
Flachsmarktstraße 8
D-32825 Blomberg
+49 52 35/3-1 20 00
info@phoenixcontact.de