

Patch panels - FL CAT5 TERMINAL BOX



2744610

<https://www.phoenixcontact.com/pc/products/2744610>

Please be informed that the data shown in this PDF document is generated from our Online Catalog. Please find the complete data in the user documentation. Our General Terms of Use for Downloads are valid.



Patch panel, one RJ45 jack to 4 screw connection terminal blocks (assignment 1, 2, 3, 6), CAT5e, 10/100 Mbps, DIN rail adapter, IP20, shield contacting on DIN rail

Product Description

Ethernet patch panels enable quick and easy connection between the field cabling and control cabinet cabling. The passive termination panels are a convenient alternative to the on-site assembly of RJ45 connectors.

Your advantages

- Safe shield connection to ground potential
- Mounting on a DIN rail
- 10/100 Mbps
- CAT5e
- Shipbuilding approval in accordance with DNV GL

Patch panels - FL CAT5 TERMINAL BOX



2744610

<https://www.phoenixcontact.com/pc/products/2744610>

Commercial Data

Item number	2744610
Packing unit	10 pc
Minimum order quantity	1 pc
Note	Made to Order (non-returnable)
Product Key	DNC331
Catalog Page	Page 362 (C-6-2019)
GTIN	4017918819477
Weight per Piece (including packing)	54.89 g
Weight per Piece (excluding packing)	50.59 g
Customs tariff number	85369010
Country of origin	DE

Patch panels - FL CAT5 TERMINAL BOX



2744610

<https://www.phoenixcontact.com/pc/products/2744610>

Technical Data

Product properties

Product type	Patch panel
MTBF	6702 Years (Telcordia standard, 25°C temperature, 21% operating cycle (5 days a week, 8 hours a day))
	2962 Years (Telcordia standard, 40°C temperature, 34.25% operating cycle (5 days a week, 12 hours a day))

Electrical properties

Supply

Typical current consumption	< 1 A
-----------------------------	-------

Interfaces

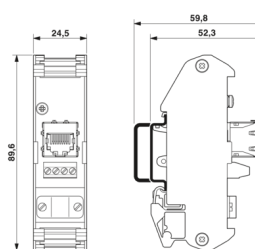
Data: Ethernet interface, 10/100Base-T(X) in accordance with IEEE 802.3

Serial transmission speed	10/100 Mbps
Connection method	Screw connection
No. of channels	1
Torque	0.22 Nm ... 0.25 Nm
Pin assignment	1:1
Transmission length	100 m (including patch cables)
Conductor cross section flexible max.	1 mm ²
Conductor cross section flexible min.	0.14 mm ²
Conductor cross section solid max.	1.5 mm ²
Conductor cross section solid min.	0.14 mm ²
Conductor cross section AWG max.	16
Conductor cross section AWG min.	26

Data: Ethernet interface, 10/100Base-T(X) in accordance with IEEE 802.3

Connection method	RJ45 CAT5e
No. of channels	1

Dimensions

Dimensional drawing	
Width	25 mm
Height	90 mm
Depth	52 mm

Patch panels - FL CAT5 TERMINAL BOX



2744610

<https://www.phoenixcontact.com/pc/products/2744610>

Material specifications

Color	green
Material	PVC / PA (Housing)

Connector

Insertion/withdrawal cycles	≤ 2500
-----------------------------	--------

Cable / line

Cable structure

External cable diameter	6 mm ... 10 mm
-------------------------	----------------

Electrical properties

Cable impedance	100 Ω
-----------------	-------

Environmental and real-life conditions

Ambient conditions

Degree of protection	IP20
Ambient temperature (operation)	-25 °C ... 70 °C
Ambient temperature (storage/transport)	-25 °C ... 85 °C
Ambient temperature (assembly)	-10 °C ... 70 °C
Permissible humidity (operation)	25 % ... 95 % (non-condensing)

Approval data

EAC

Identification	EAC
----------------	-----

EAC

Identification	DNV GL
----------------	--------

DNV GL data

Temperature	B
Humidity	A
Vibration	A
EMC	B
Enclosure	Required protection according to the Rules shall be provided upon installation on board

Mounting

Mounting type	DIN rail mounting
---------------	-------------------

Patch panels - FL CAT5 TERMINAL BOX

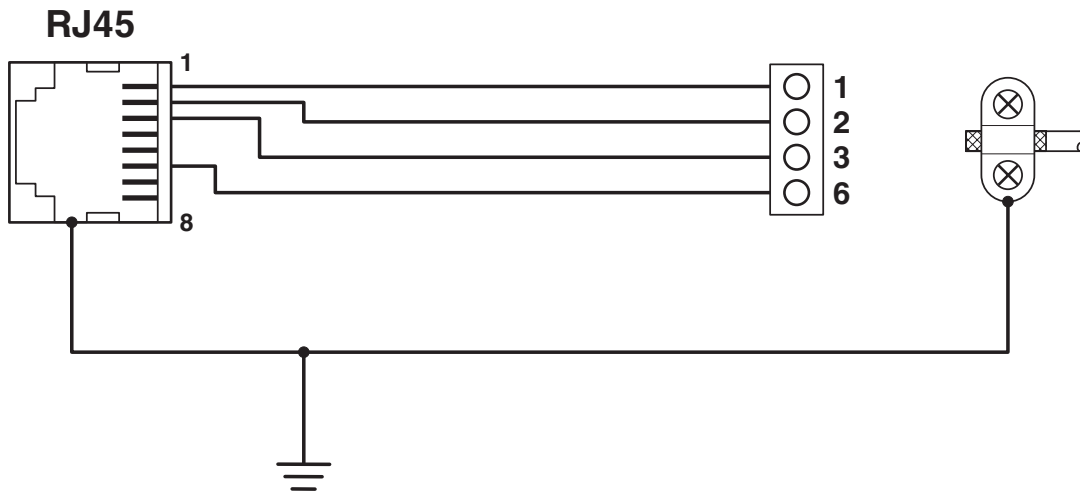
2744610

<https://www.phoenixcontact.com/pc/products/2744610>



Drawings

Circuit diagram



Circuit diagram

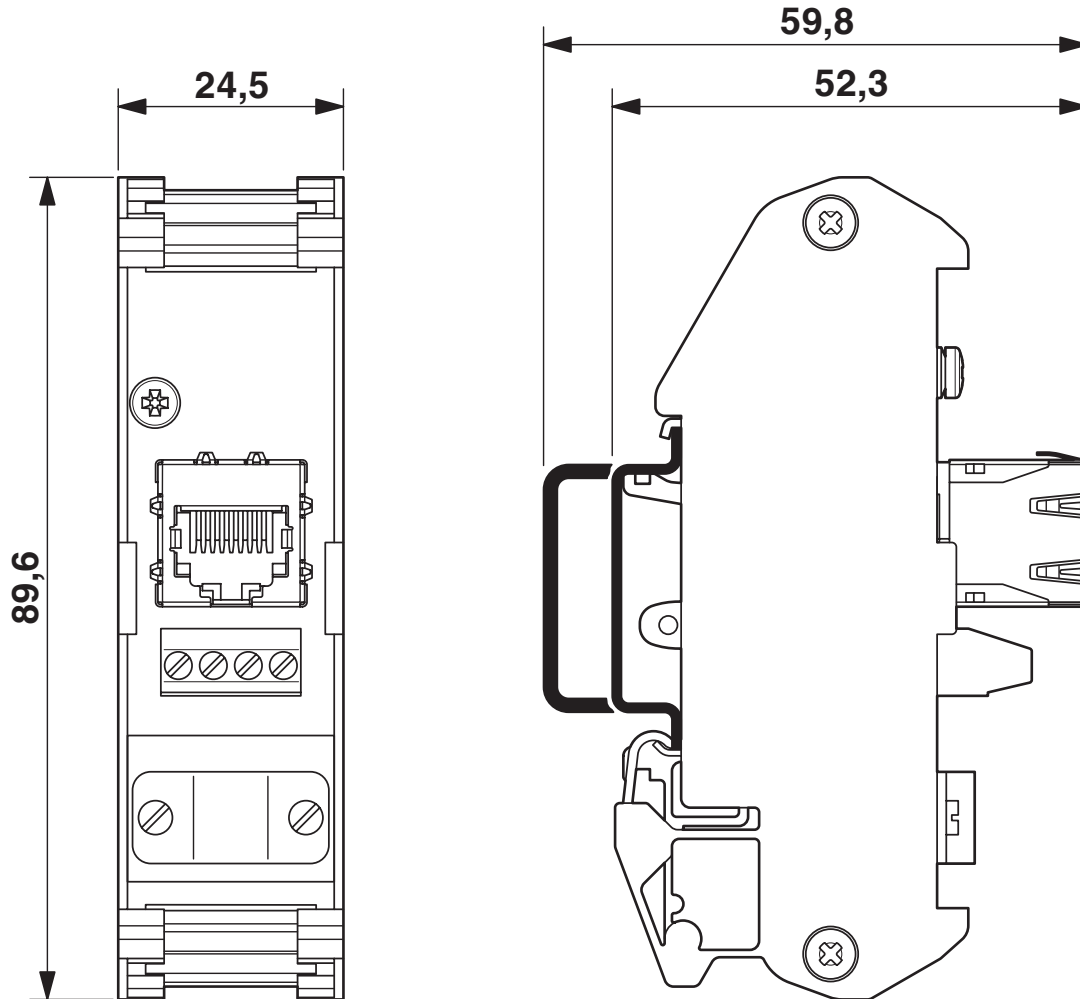
Patch panels - FL CAT5 TERMINAL BOX



2744610

<https://www.phoenixcontact.com/pc/products/2744610>

Dimensional drawing



Dimensional drawing

Patch panels - FL CAT5 TERMINAL BOX



2744610

<https://www.phoenixcontact.com/pc/products/2744610>

Approvals



EAC

Approval ID: RU D-DE.GB09.B.00312



DNV GL

Approval ID: TAA00001KR

	Nominal Voltage U_N	Nominal Current I_N	Cross Section AWG	Cross Section mm^2
			-	-

Patch panels - FL CAT5 TERMINAL BOX



2744610

<https://www.phoenixcontact.com/pc/products/2744610>

Classifications

ECLASS

ECLASS-9.0	19170112
ECLASS-10.0.1	19170112
ECLASS-11.0	19170112

ETIM

ETIM 8.0	EC002697
----------	----------

UNSPSC

UNSPSC 21.0	43223300
-------------	----------

Patch panels - FL CAT5 TERMINAL BOX



2744610

<https://www.phoenixcontact.com/pc/products/2744610>

Environmental Product Compliance

REACH SVHC	Lead 7439-92-1
China RoHS	Environmentally Friendly Use Period = 50 years
	For information on hazardous substances, refer to the manufacturer's declaration available under "Downloads"

Patch panels - FL CAT5 TERMINAL BOX



2744610

<https://www.phoenixcontact.com/pc/products/2744610>

Accessories

Assembly tool

Assembly tool - FL CRIMPTOOL - 2744869

<https://www.phoenixcontact.com/pc/products/2744869>

Crimping pliers, for assembling the RJ45 plugs FL PLUG RJ45..., for assembly on site



Screwdriver

Screwdriver - SZF 0-0,4X2,5 - 1204504

<https://www.phoenixcontact.com/pc/products/1204504>

Actuation tool, for ST terminal blocks, also suitable for use as a bladed screwdriver, size: 0.4 x 2.5 x 75 mm, 2-component grip, with non-slip grip



Patch panels - FL CAT5 TERMINAL BOX

2744610

<https://www.phoenixcontact.com/pc/products/2744610>

Patch cable

Patch cable - FL CAT5 PATCH 0,3 - 2832250

<https://www.phoenixcontact.com/pc/products/2832250>

Patch cable, CAT5, assembled, 0.3 m



Patch cable

Patch cable - FL CAT5 PATCH 0,5 - 2832263

<https://www.phoenixcontact.com/pc/products/2832263>

Patch cable, CAT5, assembled, 0.5 m



Patch panels - FL CAT5 TERMINAL BOX

2744610

<https://www.phoenixcontact.com/pc/products/2744610>

Patch cable

Patch cable - FL CAT5 PATCH 1,0 - 2832276

<https://www.phoenixcontact.com/pc/products/2832276>

Patch cable, CAT5, assembled, 1 m



Patch cable

Patch cable - FL CAT5 PATCH 1,5 - 2832221

<https://www.phoenixcontact.com/pc/products/2832221>

Patch cable, CAT5, assembled, 1.5 m



Patch panels - FL CAT5 TERMINAL BOX

2744610

<https://www.phoenixcontact.com/pc/products/2744610>

Patch cable

Patch cable - FL CAT5 PATCH 2,0 - 2832289

<https://www.phoenixcontact.com/pc/products/2832289>



Patch cable, CAT5, assembled, 2 m

Patch cable

Patch cable - FL CAT5 PATCH 3,0 - 2832292

<https://www.phoenixcontact.com/pc/products/2832292>



Patch cable, CAT5, assembled, 3 m

Patch panels - FL CAT5 TERMINAL BOX



2744610

<https://www.phoenixcontact.com/pc/products/2744610>

Patch cable

Patch cable - NBC-R4AC/1,0-93B/R4AC - 1408968

<https://www.phoenixcontact.com/pc/products/1408968>



Patch cable, degree of protection: IP20, cable length: 1 m, number of positions: 4, 100 Mbps, CAT5, material: PA 6.6, PROFINET

Patch cable

Patch cable - NBC-R4AC/2,0-93B/R4AC - 1408969

<https://www.phoenixcontact.com/pc/products/1408969>



Patch cable, degree of protection: IP20, cable length: 2 m, number of positions: 4, 100 Mbps, CAT5, material: PA 6.6, PROFINET

Patch panels - FL CAT5 TERMINAL BOX

2744610

<https://www.phoenixcontact.com/pc/products/2744610>

Network isolator

Network isolator - FL ISOLATOR 100-RJ/SC - 2313928

<https://www.phoenixcontact.com/pc/products/2313928>



Passive network isolator for electrical isolation in Ethernet networks. This protects Ethernet devices from potential differences of up to 4 kV. Can be used for transmission speeds of up to 100 Mbps. Connection using RJ45 and COMBICON plug-in screw terminal block.

Network isolator

Network isolator - FL ISOLATOR 100-RJ/RJ - 2313931

<https://www.phoenixcontact.com/pc/products/2313931>



Passive network isolator for electrical isolation in Ethernet networks. This protects Ethernet devices from potential differences of up to 4 kV. Can be used for transmission speeds of up to 100 Mbps. Possible to connect two RJ45 plugs.

Patch panels - FL CAT5 TERMINAL BOX

2744610

<https://www.phoenixcontact.com/pc/products/2744610>

Network isolator

Network isolator - FL ISOLATOR 1000-RJ/RJ - 2313915

<https://www.phoenixcontact.com/pc/products/2313915>



Passive network isolator for electrical isolation in Ethernet networks. This protects Ethernet devices from potential differences of up to 4 kV. Can be used for transmission speeds of up to 1 Gbps. Possible to connect two RJ45 plugs.

RJ45 connector

RJ45 connector - VS-PN-RJ45-5-Q/IP20 - 1658435

<https://www.phoenixcontact.com/pc/products/1658435>



RJ45 connector, type: RJ45, degree of protection: IP20, number of positions: 4, 100 Mbps, CAT5 (IEC 11801:2002), material: PA, connection method: IDC fast connection, cable outlet: straight, color: traffic grey A RAL 7042, PROFINET

Patch panels - FL CAT5 TERMINAL BOX

2744610

<https://www.phoenixcontact.com/pc/products/2744610>



Stripping tool

Stripping tool - VS-CABLE-STRIP-VARIO - 1657407

<https://www.phoenixcontact.com/pc/products/1657407>

Stripping tool, for the multi-level stripping of shielded cables



Phoenix Contact 2022 © - all rights reserved

<https://www.phoenixcontact.com>

PHOENIX CONTACT GmbH & Co. KG

Flachsmarktstraße 8

D-32825 Blomberg

+49 (0) 5235-3 00

info@phoenixcontact.com