

Electronic housing - EFG 45-LG/BS GY



2757474

<https://www.phoenixcontact.com/de/produkte/2757474>

Please be informed that the data shown in this PDF document is generated from our Online Catalog. Please find the complete data in the user documentation. Our General Terms of Use for Downloads are valid.



Complete housing, length: 118 mm, without vents, Complete housing, cross connection: without bus connector, color: gray, width: 45 mm, height: 137.5 mm, number of positions cross connector: not relevant

Electronic housing - EFG 45-LG/BS GY



2757474

<https://www.phoenixcontact.com/de/produkte/2757474>

Commercial Data

Item number	2757474
Packing unit	5 pc
Minimum order quantity	5 pc
Note	Made to Order (non-returnable)
Sales Key	F1 - Elektronikgehäuse
Product Key	ACHCFA
Catalog Page	Page 738 (C-1-2013)
GTIN	4017918063566
Weight per Piece (including packing)	148 g
Weight per Piece (excluding packing)	148 g
Customs tariff number	85472000
Country of origin	DE

2757474

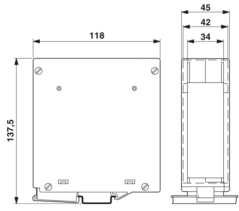
<https://www.phoenixcontact.com/de/produkte/2757474>

Technical Data

Product properties

Type	Housing closed, consists of two half shells and a set of three front plates
Product type	Complete housing
Type	Complete housing
Housing type	Complete housing
Housing series	EFG

Dimensions

Dimensional drawing	
Width	45 mm
Installed height	137.5 mm
Height NS 35/7,5	137.5 mm
Depth	118 mm
Length	118 mm

Material specifications

Color	gray
Flammability rating according to UL 94	V0
Housing material	Polycarbonate

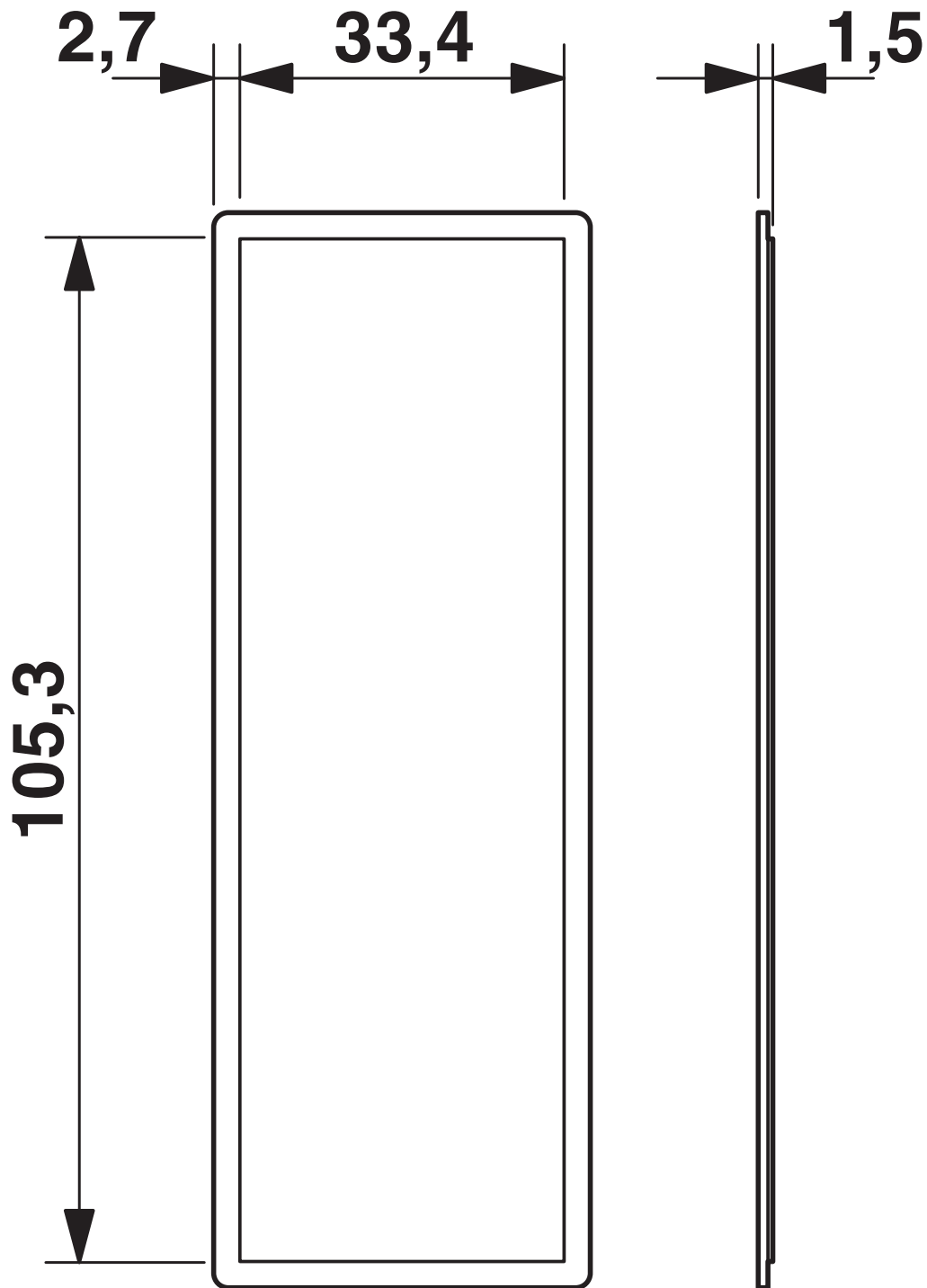
Environmental and real-life conditions

Ambient conditions

Ambient temperature (operation)	-40 °C ... 125 °C
---------------------------------	-------------------

Drawings

Dimensional drawing



Cover element

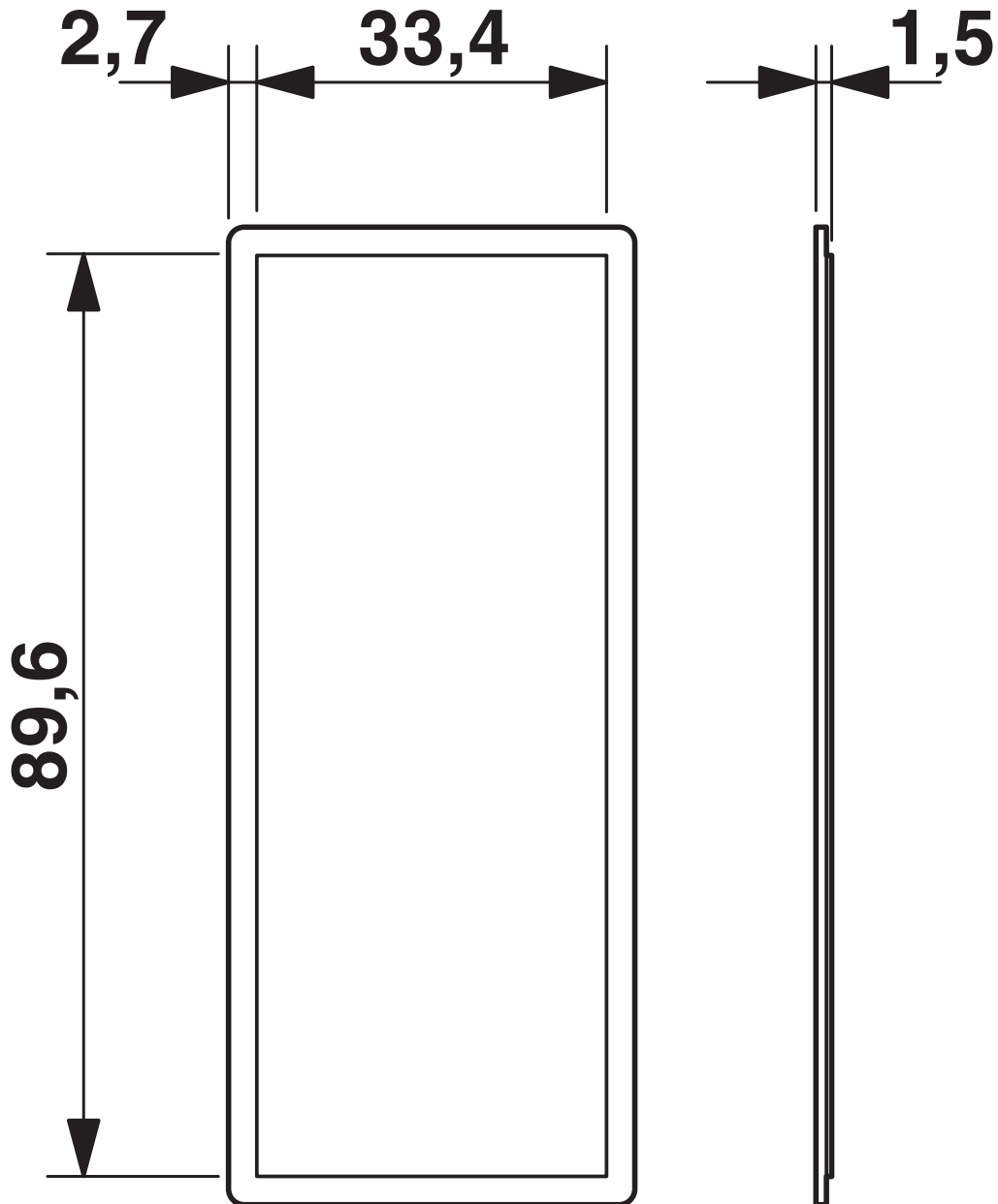
Electronic housing - EFG 45-LG/BS GY

2757474

<https://www.phoenixcontact.com/de/produkte/2757474>



Dimensional drawing



Side element (front and back)

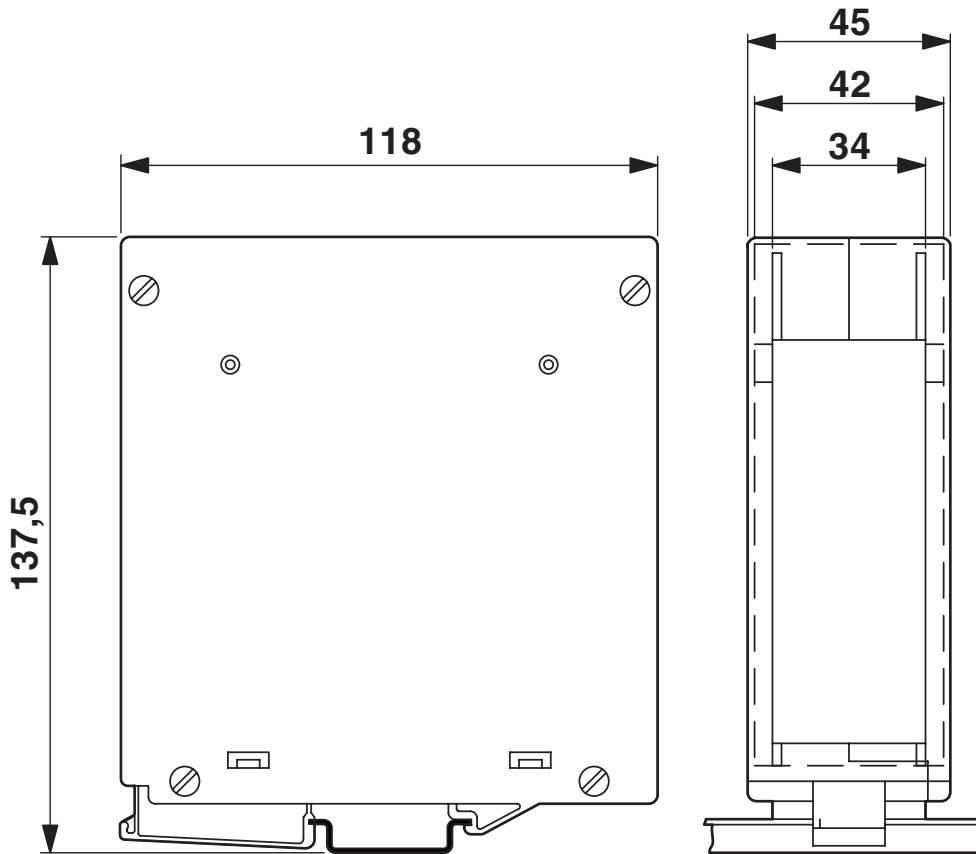
Electronic housing - EFG 45-LG/BS GY

2757474

<https://www.phoenixcontact.com/de/produkte/2757474>



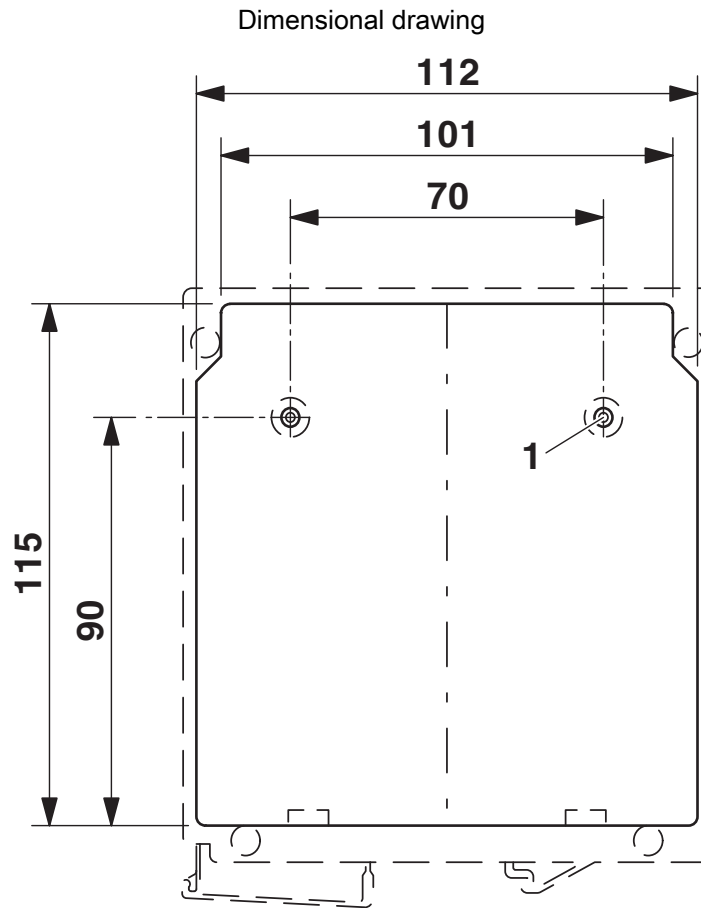
Dimensional drawing



Electronic housing - EFG 45-LG/BS GY

2757474

<https://www.phoenixcontact.com/de/produkte/2757474>



1 = Diameter 3.2 mm for M3


Electronic housing - EFG 45-LG/BS GY



2757474

<https://www.phoenixcontact.com/de/produkte/2757474>

Approvals

 EAC

 UL Recognized

Electronic housing - EFG 45-LG/BS GY



2757474

<https://www.phoenixcontact.com/de/produkte/2757474>

Classifications

ECLASS

ECLASS-9.0	27182702
ECLASS-10.0.1	27182702
ECLASS-11.0	27182702

ETIM

ETIM 8.0	EC001031
----------	----------

UNSPSC

UNSPSC 21.0	31261500
-------------	----------

Electronic housing - EFG 45-LG/BS GY



2757474

<https://www.phoenixcontact.com/de/produkte/2757474>

Environmental Product Compliance

REACH SVHC	Lead 7439-92-1
China RoHS	Environmentally friendly use period: unlimited = EFUP-e
	No hazardous substances above threshold values

Electronic housing - EFG 45-LG/BS GY



2757474

<https://www.phoenixcontact.com/de/produkte/2757474>

Accessories

PCB terminal block

PCB terminal block - FRONT 2,5-H/SA 5 - 1700008

<https://www.phoenixcontact.com/de/produkte/1700008>



PCB terminal block, nominal current: 24 A, rated voltage (III/2): 400 V, nominal cross section: 2.5 mm², number of potentials: 1, number of rows: 1, number of positions per row: 1, product range: FRONT 2,5-H/SA 5, pitch: 5 mm, connection method: Front screw connection, conductor/PCB connection direction: 0 °, color: green, Pin layout: Linear double pinning, Solder pin [P]: 3.5 mm, number of solder pins per potential: 2, type of packaging: packed in cardboard. The article can be aligned to create different nos. of positions!

Phoenix Contact 2022 © - all rights reserved
<https://www.phoenixcontact.com>

PHOENIX CONTACT Deutschland GmbH
Flachsmarktstraße 8
D-32825 Blomberg
+49 52 35/3-1 20 00
info@phoenixcontact.de