

Protective cover - VS-08-SD

1689200

<https://www.phoenixcontact.com/pc/products/1689200>



Please be informed that the data shown in this PDF document is generated from our Online Catalog. Please find the complete data in the user documentation. Our General Terms of Use for Downloads are valid.

Protective cover, IP67, tall design



Protective cover - VS-08-SD

1689200

<https://www.phoenixcontact.com/pc/products/1689200>



Commercial Data

Item number	1689200
Packing unit	5 pc
Minimum order quantity	1 pc
Product Key	ABNDDZ
Catalog Page	Page 34 (PC-2005)
GTIN	4017918878016
Weight per Piece (including packing)	4.32 g
Weight per Piece (excluding packing)	4.24 g
Customs tariff number	39235090
Country of origin	DE

Protective cover - VS-08-SD

1689200

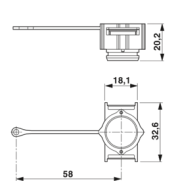
<https://www.phoenixcontact.com/pc/products/1689200>

Technical Data

Product properties

Product type	Protective cover
Connection profile	RJ45
Locking type	without

Dimensions

Dimensional drawing	
Width	33 mm
Height	20 mm
Length	73 mm

Material specifications

Color	gray
Material	Plastic
Flammability rating according to UL 94	V0
Sealing material	FPM
Seal material, O-ring	NBR
Housing material	PA

Environmental and real-life conditions

Ambient conditions

Degree of protection	IP67
Ambient temperature (operation)	-40 °C ... 80 °C

Protective cover - VS-08-SD

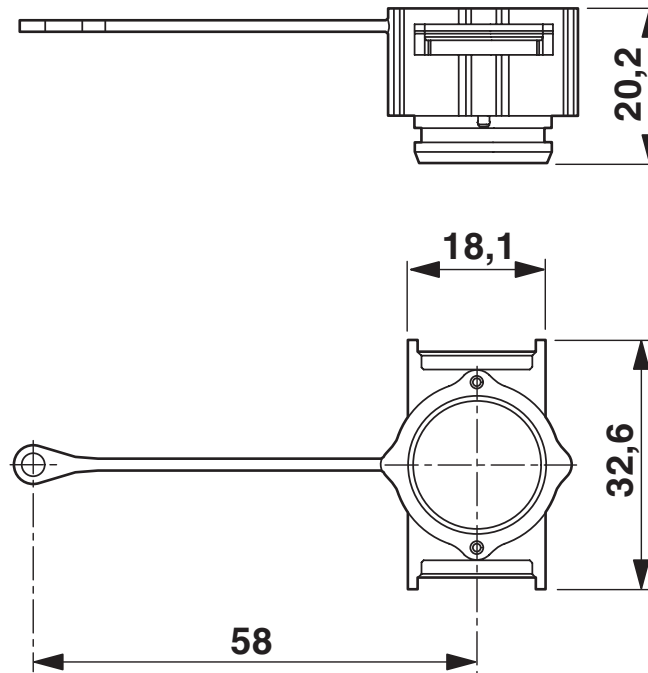
1689200

<https://www.phoenixcontact.com/pc/products/1689200>



Drawings

Dimensional drawing



Protective cover, IP67

Protective cover - VS-08-SD

1689200

<https://www.phoenixcontact.com/pc/products/1689200>



Approvals



EAC

Approval ID: B.01687

Protective cover - VS-08-SD



1689200

<https://www.phoenixcontact.com/pc/products/1689200>

Classifications

ECLASS

ECLASS-10.0.1	27440208
ECLASS-9.0	27440208
ECLASS-11.0	27440208

ETIM

ETIM 8.0	EC002314
----------	----------

UNSPSC

UNSPSC 21.0	39121400
-------------	----------

Protective cover - VS-08-SD

1689200

<https://www.phoenixcontact.com/pc/products/1689200>



Environmental Product Compliance

China RoHS	Environmentally friendly use period: unlimited = EFUP-e No hazardous substances above threshold values
------------	---

Phoenix Contact 2022 © - all rights reserved
<https://www.phoenixcontact.com>

PHOENIX CONTACT GmbH & Co. KG
Flachmarktstraße 8
D-32825 Blomberg
+49 (0) 5235-3 00
info@phoenixcontact.com