

# DIN rail, unperforated - NS 35/15 UNPERF 2000MM



1201714

<https://www.phoenixcontact.com/de/produkte/1201714>

Please be informed that the data shown in this PDF document is generated from our Online Catalog. Please find the complete data in the user documentation. Our General Terms of Use for Downloads are valid.

---



DIN rail, unperforated, similar to EN 60715, material: Steel, galvanized, passivated with a thick layer, Standard profile, color: silver, Pack of 25 (50 m)

---

# DIN rail, unperforated - NS 35/15 UNPERF 2000MM



1201714

<https://www.phoenixcontact.com/de/produkte/1201714>

## Commercial Data

|                                      |                         |
|--------------------------------------|-------------------------|
| Item number                          | 1201714                 |
| Packing unit                         | 25 pc                   |
| Minimum order quantity               | 25 pc                   |
| Sales Key                            | B1 - Markierung Montage |
| Product Key                          | BE7234                  |
| Catalog Page                         | Page 530 (C-3-2019)     |
| GTIN                                 | 4017918017453           |
| Weight per Piece (including packing) | 1.330 g                 |
| Weight per Piece (excluding packing) | 1.330 g                 |
| Customs tariff number                | 72166190                |
| Country of origin                    | DE                      |

# DIN rail, unperforated - NS 35/15 UNPERF 2000MM

1201714

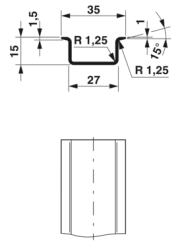
<https://www.phoenixcontact.com/de/produkte/1201714>

## Technical Data

### Product properties

|              |          |
|--------------|----------|
| Product type | DIN rail |
|--------------|----------|

### Dimensions

|                     |   |
|---------------------|---|
| Dimensional drawing |  |
| Width               | 35 mm   |
| Height              | 15 mm   |
| Length              | 2000 mm   |

### Material specifications

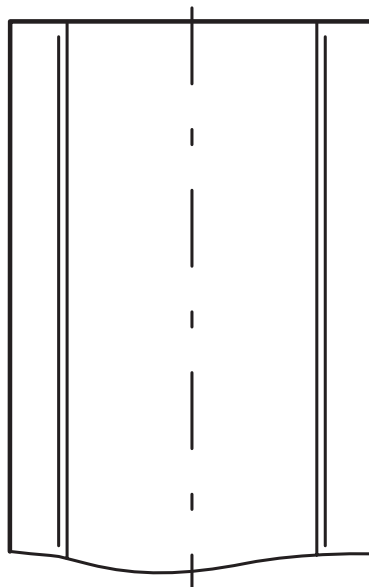
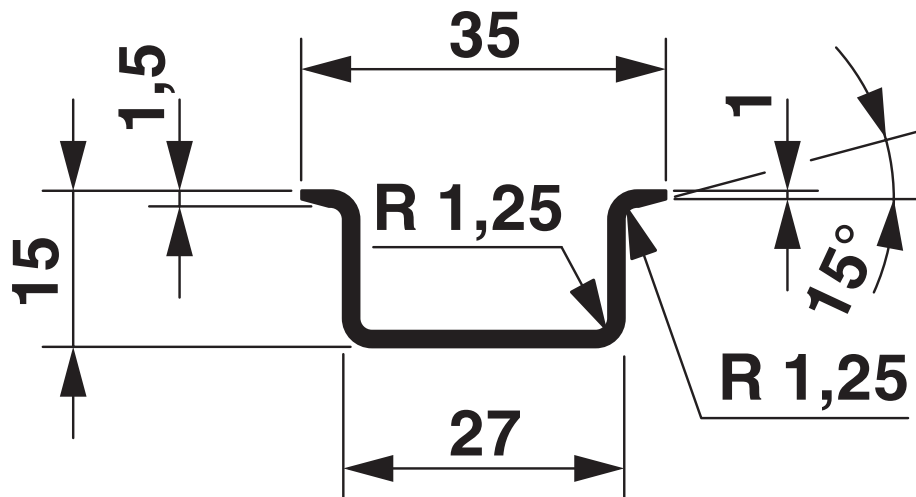
|          |   |
|----------|---|
| Color    | silver                                    |
| Material | Steel                                     |
| Coating  | galvanized, passivated with a thick layer |

### Standards and regulations

|                                  |                     |
|----------------------------------|---------------------|
| Connection in acc. with standard | IEC / EN            |
| Tests                            | similar to EN 60715 |

Drawings

Dimensional drawing



# DIN rail, unperforated - NS 35/15 UNPERF 2000MM



1201714

<https://www.phoenixcontact.com/de/produkte/1201714>

## Classifications

### ECLASS

|               |          |
|---------------|----------|
| ECLASS-9.0    | 27400602 |
| ECLASS-10.0.1 | 27400602 |
| ECLASS-11.0   | 27400602 |
| ECLASS-12.0   | 27400602 |

### ETIM

|          |          |
|----------|----------|
| ETIM 8.0 | EC001285 |
|----------|----------|

### UNSPSC

|             |          |
|-------------|----------|
| UNSPSC 21.0 | 39121700 |
|-------------|----------|

# DIN rail, unperforated - NS 35/15 UNPERF 2000MM



1201714

<https://www.phoenixcontact.com/de/produkte/1201714>

## Environmental Product Compliance

|            |   |
|------------|---|
| China RoHS | Environmentally friendly use period: unlimited = EFUP-e<br>No hazardous substances above threshold values |
|------------|---|

Phoenix Contact 2022 © - all rights reserved  
<https://www.phoenixcontact.com>

PHOENIX CONTACT Deutschland GmbH  
Flachmarktstraße 8  
D-32825 Blomberg  
+49 52 35/3-1 20 00  
[info@phoenixcontact.de](mailto:info@phoenixcontact.de)