

Relay Module - EMG 10-REL/KSR-G 24/21-LCU



2940359

<https://www.phoenixcontact.com/de/produkte/2940359>

Please be informed that the data shown in this PDF document is generated from our Online Catalog. Please find the complete data in the user documentation. Our General Terms of Use for Downloads are valid.



Relay module, with soldered-in miniature switching relay, contact (AgNi): medium to large loads, 1 changeover contact, input voltage 24 V DC, design rotated 180°

Your advantages

- Integrated input circuit and interference suppression circuit

Relay Module - EMG 10-REL/KSR-G 24/21-LCU



2940359

<https://www.phoenixcontact.com/de/produkte/2940359>

Commercial Data

Item number	2940359
Packing unit	10 pc
Minimum order quantity	1 pc
Sales Key	G1 - Relais
Product Key	CK6142
Catalog Page	Page 134 (IF-2011)
GTIN	4017918080051
Weight per Piece (including packing)	40,3 g
Weight per Piece (excluding packing)	40,181 g
Customs tariff number	85364190
Country of origin	DE

Technical Data

Notes

Utilization restriction

EMC note	EMC: class A product, see manufacturer's declaration in the download area
----------	---

Product properties

Product type	Relay Module
Application	Universal
Operating mode	100% operating factor
Mechanical service life	approx. 2×10^7 cycles

Insulation characteristics

Overvoltage category	III
Pollution degree	2
Insulation	Basic insulation

Electrical properties

Maximum power dissipation for nominal condition	0.5 W
Test voltage	4 kV AC (50 Hz, 1 min., winding/contact)

Input data

Coil side

Nominal input voltage U_N	24 V DC
Input voltage range	19.2 V DC ... 26.4 V DC (20 °C)
Typical input current at U_N	21 mA
Typical response time	7 ms
Typical release time	11 ms
Protective circuit	Reverse polarity protection; Polarity protection diode Freewheeling diode; Freewheeling diode
Operating voltage display	Yellow LED

Output data

Switching

Contact type	1 changeover contact
Type of switch contact	Double contact
Drive and function	monostable
Contact material	AgNi
Maximum switching voltage	250 V AC/DC
Limiting continuous current	6 A
Maximum inrush current	8 A
	140 W (at 24 V DC)

Relay Module - EMG 10-REL/KSR-G 24/21-LCU



2940359

<https://www.phoenixcontact.com/de/produkte/2940359>

Interrupting rating (ohmic load) max.	53 W (at 48 V DC)
	45 W (at 60 V DC)
	35 W (at 110 V DC)
	55 W (at 220 V DC)
	1500 VA (for 250 V AC)

Connection data

Coil side

Connection method	Screw connection
Stripping length	8 mm
Screw thread	M3
Conductor cross section solid	0.2 mm ² ... 4 mm ²
Conductor cross section flexible	0.2 mm ² ... 2.5 mm ²
Conductor cross section AWG	24 ... 12

Coil side

Connection method	Screw connection
Stripping length	8 mm
Screw thread	M3
Conductor cross section solid	0.2 mm ² ... 4 mm ²
Conductor cross section flexible	0.2 mm ² ... 2.5 mm ²
Conductor cross section AWG	24 ... 12

Dimensions

Width	10.6 mm
Height	75 mm
Depth	62.5 mm

Environmental and real-life conditions

Ambient conditions

Ambient temperature (operation)	-20 °C ... 40 °C
Ambient temperature (storage/transport)	-20 °C ... 70 °C

Standards and regulations

Standards/regulations	IEC 60664
	EN 50178

Mounting

Mounting type	DIN rail mounting
Assembly instructions	in rows with zero spacing
Mounting position	any

Relay Module - EMG 10-REL/KSR-G 24/21-LCU

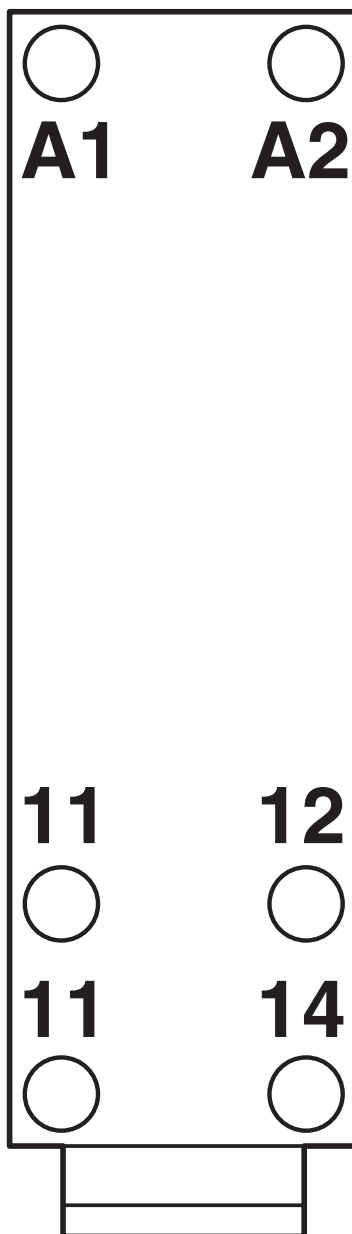
2940359

<https://www.phoenixcontact.com/de/produkte/2940359>



Drawings

Connection diagram



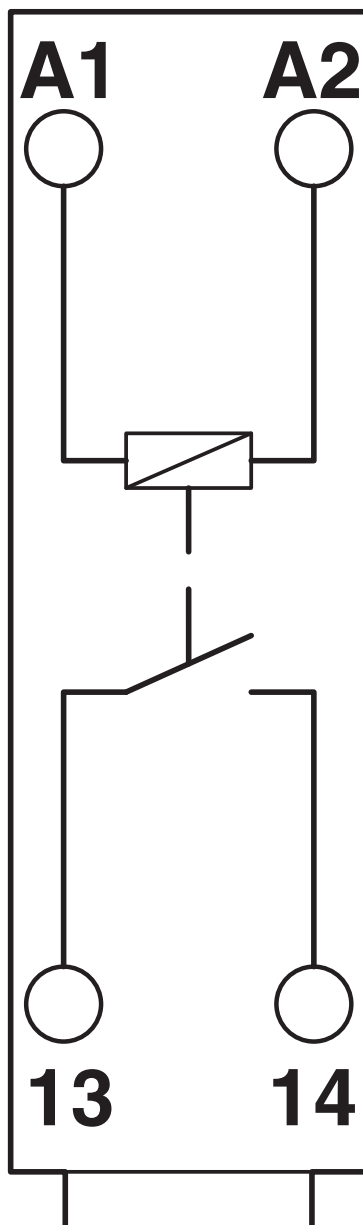
Relay Module - EMG 10-REL/KSR-G 24/21-LCU

2940359

<https://www.phoenixcontact.com/de/produkte/2940359>



Circuit diagram



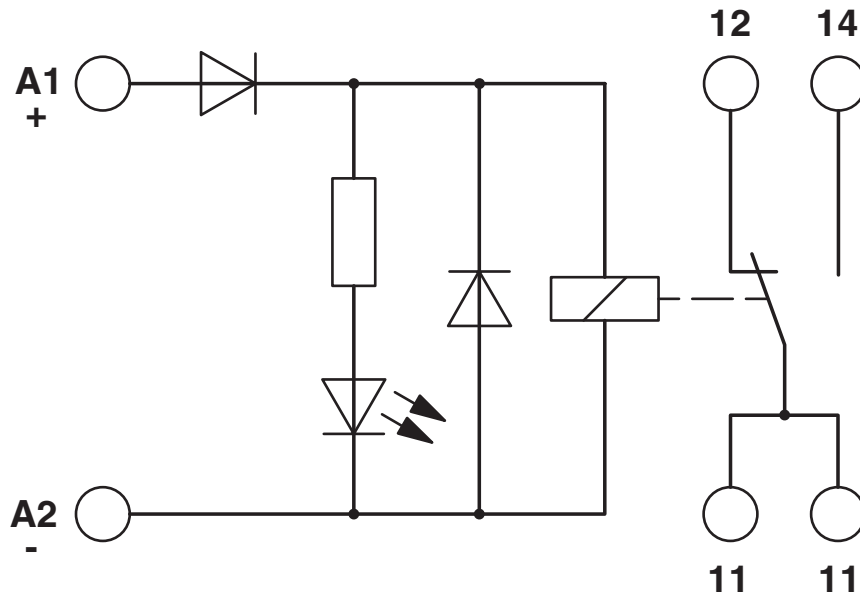
Relay Module - EMG 10-REL/KSR-G 24/21-LCU



2940359

<https://www.phoenixcontact.com/de/produkte/2940359>

Circuit diagram




Relay Module - EMG 10-REL/KSR-G 24/21-LCU




2940359


<https://www.phoenixcontact.com/de/produkte/2940359>

Approvals

	cUL Recognized Approval ID: FILE E 238705				
	Nominal Voltage U_N	Nominal Current I_N	Cross Section AWG	Cross Section mm^2	
			-	-	

	UL Recognized Approval ID: FILE E 238705				
	Nominal Voltage U_N	Nominal Current I_N	Cross Section AWG	Cross Section mm^2	
			-	-	

	EAC Approval ID: TR_TS_D_00573_c				
---	--	--	--	--	--

	EAC Approval ID: RU*C-DE.*08.B.00010				
---	--	--	--	--	--

cULus Recognized					
-------------------------	--	--	--	--	--

Relay Module - EMG 10-REL/KSR-G 24/21-LCU



2940359

<https://www.phoenixcontact.com/de/produkte/2940359>

Classifications

ECLASS

ECLASS-10.0.1	27371601
ECLASS-9.0	27371601
ECLASS-11.0	27371601

ETIM

ETIM 8.0	EC001437
----------	----------

UNSPSC

UNSPSC 21.0	39122300
-------------	----------

Relay Module - EMG 10-REL/KSR-G 24/21-LCU



2940359

<https://www.phoenixcontact.com/de/produkte/2940359>

Environmental Product Compliance

REACH SVHC	Lead 7439-92-1
China RoHS	Environmentally Friendly Use Period = 50 years
	For information on hazardous substances, refer to the manufacturer's declaration available under "Downloads"

Relay Module - EMG 10-REL/KSR-G 24/21-LCU



2940359

<https://www.phoenixcontact.com/de/produkte/2940359>

Accessories

Marking material

Marking material - EMG-SGKS 10 - 2947585

<https://www.phoenixcontact.com/de/produkte/2947585>



Equipment marker, narrow

Phoenix Contact 2022 © - all rights reserved
<https://www.phoenixcontact.com>

PHOENIX CONTACT Deutschland GmbH
Flachsmarktstraße 8
D-32825 Blomberg
+49 52 35/3-1 20 00
info@phoenixcontact.de