

# Support bracket - AB-SK

3025341

<https://www.phoenixcontact.com/pc/products/3025341>



Please be informed that the data shown in this PDF document is generated from our Online Catalog. Please find the complete data in the user documentation. Our General Terms of Use for Downloads are valid.

---

Support bracket for busbars



---

## Your advantages

- Available in two lengths
- The AB-SK single-sided shield supports are particularly suitable for space-saving conductor connection for terminal blocks and devices with lateral cable entry
- For mounting SK shield connection clamps

# Support bracket - AB-SK

3025341

<https://www.phoenixcontact.com/pc/products/3025341>



## Commercial Data

Item number	3025341
Packing unit	10 pc
Minimum order quantity	1 pc
Product Key	BE7113
Catalog Page	Page 571 (C-3-2019)
GTIN	4017918138998
Weight per Piece (including packing)	13.58 g
Weight per Piece (excluding packing)	11.977 g
Customs tariff number	85389099
Country of origin	PL

# Support bracket - AB-SK

3025341

<https://www.phoenixcontact.com/pc/products/3025341>

## Technical Data

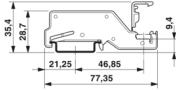
### Product properties

Product type	Support
Number of positions	1

### Electrical properties

Nominal current $I_N$	0 A
-----------------------	-----

### Dimensions

Dimensional drawing	
Width	6.2 mm
Height NS 35/15	36.2 mm
Height NS 35/7,5	28.7 mm
Length	77.35 mm

### Material specifications

Color	gray
Material	PA
Insulating material	PA

### Connector

Number of positions	1
Material	PA
Number of positions	1
Material	PA

### Environmental and real-life conditions

#### Ambient conditions

Ambient temperature (operation)	-60 °C ... 105 °C (max. short-term operating temperature RTI Elec.)
Ambient temperature (storage/transport)	-25 °C ... 60 °C (for a short time, not exceeding 24 h, -60 °C to +70 °C)
Ambient temperature (assembly)	-5 °C ... 70 °C
Ambient temperature (actuation)	-5 °C ... 70 °C
Permissible humidity (storage/transport)	30 % ... 70 %

# Support bracket - AB-SK

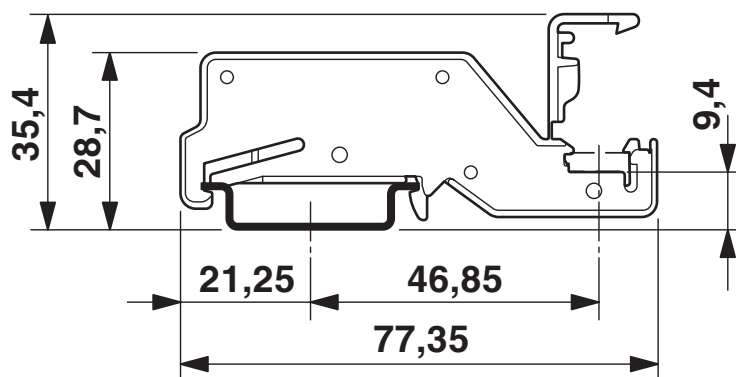
3025341

<https://www.phoenixcontact.com/pc/products/3025341>



## Drawings

Dimensional drawing



# Support bracket - AB-SK

3025341

<https://www.phoenixcontact.com/pc/products/3025341>



## Classifications

### ECLASS

ECLASS-9.0	27400607
ECLASS-10.0.1	27400607
ECLASS-11.0	27400607

### ETIM

ETIM 8.0	EC001166
----------	----------

### UNSPSC

UNSPSC 21.0	39121700
-------------	----------

# Support bracket - AB-SK

3025341

<https://www.phoenixcontact.com/pc/products/3025341>



## Environmental Product Compliance

China RoHS	Environmentally friendly use period: unlimited = EFUP-e
	No hazardous substances above threshold values

Phoenix Contact 2022 © - all rights reserved  
<https://www.phoenixcontact.com>

PHOENIX CONTACT GmbH & Co. KG  
Flachmarktstraße 8  
D-32825 Blomberg  
+49 (0) 5235-3 00  
[info@phoenixcontact.com](mailto:info@phoenixcontact.com)