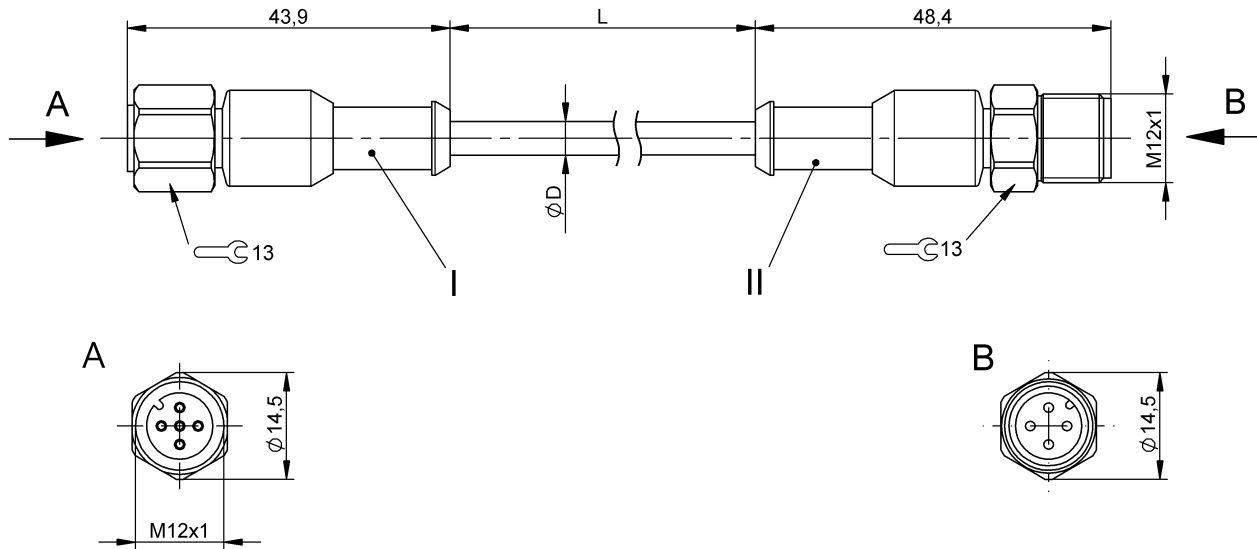


Double-Ended Cordsets
BCC S4B5-S4B4-3A-304-YX8434-050-C009
 Order Code: BCC0JT0

BALLUFF



Basic features

Approval/Conformity	CE Ecolab EAC WEEE
---------------------	-----------------------------

Electrical connection

Bending radius min., fixed cable	5 x D
Bending radius min., flexible cable	10 x D
Cable	TPE-V gray, 5 m
Cable diameter D	4.70 mm ±0.2 mm
Conductor cross-section	0.34 mm ²
Connection 1	M12x1-Female, Straight, 5-pin, A-coded
Connection 2	M12x1-Male, Straight, 4-pin, A-coded
Number of conductors	4
System	Molded/Molded

Electrical data

Cable rated voltage AC max.	300 V
Cable rated voltage DC max.	300 V
Operating voltage Ub	250 VDC / 250 VAC
Rated current (40 °C)	4.0 A

Remarks

Halogen-free per DIN VDE 0472 Part 815
 Halogen-free acc. to IEC 60754-1
 LABS-free
 Enclosure rating per IEC 60529 or 20653, only in screwed state with the associated mating piece.

Environmental conditions

Cable temperature, fixed routing	-50...105 °C
Cable temperature, flexible routing	-25...105 °C
IP rating	IP67, IP69K/IP67, IP69K

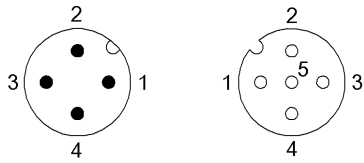
Material

Cable jacket, material	TPE-V
Material contact carrier	PP/PP
Material contacts	Bronze/Brass
Material cover nut	1.4404 stainless steel/1.4404 stainless steel
Material grip	PP/PP

Mechanical data

Cable jacket, color	gray
Cable length L	5.00 m
Tightening torque pigtail	0.6 Nm/0.6 Nm

Connector Drawings



- | | |
|--------------|--------------|
| II | I |
| PIN 1: brown | PIN 1: brown |
| PIN 2: white | PIN 2: white |
| PIN 3: blue | PIN 3: blue |
| PIN 4: black | PIN 4: black |
| | PIN 5: n.c. |

Wiring Diagrams

