

# Patch cable - NBC-R4AC/2,0-93B/R4AC



1408969

<https://www.phoenixcontact.com/pc/products/1408969>

Please be informed that the data shown in this PDF document is generated from our Online Catalog. Please find the complete data in the user documentation. Our General Terms of Use for Downloads are valid.

---



Patch cable, degree of protection: IP20, cable length: 2 m, number of positions: 4, 100 Mbps, CAT5, material: PA 6.6, PROFINET

---

# Patch cable - NBC-R4AC/2,0-93B/R4AC



1408969

<https://www.phoenixcontact.com/pc/products/1408969>

## Commercial Data

Item number	1408969
Packing unit	1 pc
Minimum order quantity	1 pc
Note	Made to Order (non-returnable)
Product Key	ABNAAL
Catalog Page	Page 396 (C-2-2019)
GTIN	4046356856980
Weight per Piece (including packing)	161.3 g
Weight per Piece (excluding packing)	155.2 g
Customs tariff number	85444210
Country of origin	PL

# Patch cable - NBC-R4AC/2,0-93B/R4AC



1408969

<https://www.phoenixcontact.com/pc/products/1408969>

## Technical Data

### Product properties

Product type	Data cable preassembled
Number of positions	4
Connection profile	RJ45 8(4)
Number of slots	1
Shielded	yes

### Insulation characteristics

Overvoltage category	I
Degree of pollution	1

### LED signaling

Status display	No
Status display present	No

### Electrical properties

Rated voltage (III/3)	72 V (DC)
Rated current	1.75 A
Nominal voltage $U_N$	48 V
Nominal current $I_N$	1 A
Transmission medium	Copper

### Material specifications

Flammability rating according to UL 94	V2
Contact material	CuSn
Contact surface material	Ni/Au
Housing material	PA 6.6

### Connector

Insertion/withdrawal cycles	$\geq 750$
-----------------------------	------------

#### Header 1

Handle color	black
Material	CuSn (Contact)
	Ni/Au (Contact surface)
	PA (Contact carriers)
	PA (Housing)
Insertion/withdrawal cycles	$\geq 750$
Degree of protection	IP20
Ambient temperature (operation)	-25 °C ... 80 °C

#### Head 2

Handle color	black
--------------	-------

# Patch cable - NBC-R4AC/2,0-93B/R4AC



1408969

<https://www.phoenixcontact.com/pc/products/1408969>

Material	CuSn (Contact)
	Ni/Au (Contact surface)
	PA (Contact carriers)
	PA (Housing)
Insertion/withdrawal cycles	≥ 750
Ambient temperature (operation)	-25 °C ... 80 °C

## Cable / line

Cable length	2.00 m
--------------	--------

### Cable structure

Cable type	PROFINET type B
Cable type	Round cable
Outer sheath, material	PVC
External sheath, color	green RAL 6018

## Ambient conditions

Degree of protection	IP20 (RJ45 connector)
Degree of protection	IP20
Ambient temperature (operation)	-25 °C ... 80 °C (RJ45 connector)

# Patch cable - NBC-R4AC/2,0-93B/R4AC

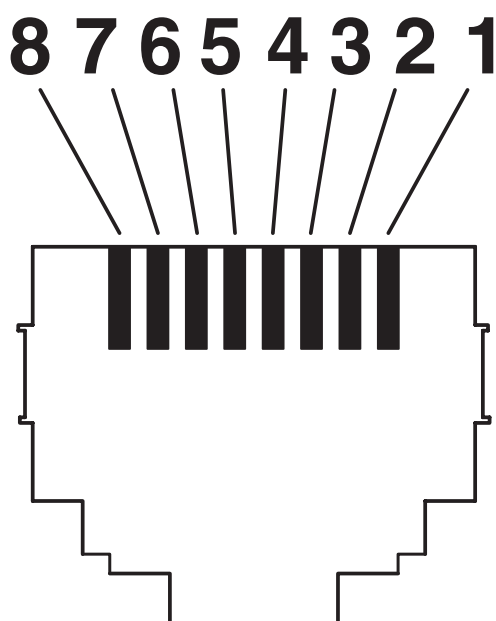
1408969

<https://www.phoenixcontact.com/pc/products/1408969>



## Drawings

### Schematic diagram



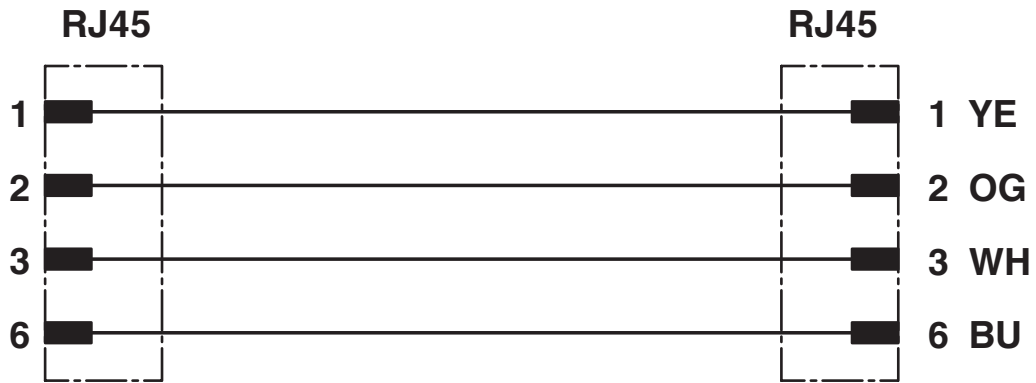
Connector pin assignment plug RJ45

# Patch cable - NBC-R4AC/2,0-93B/R4AC

1408969

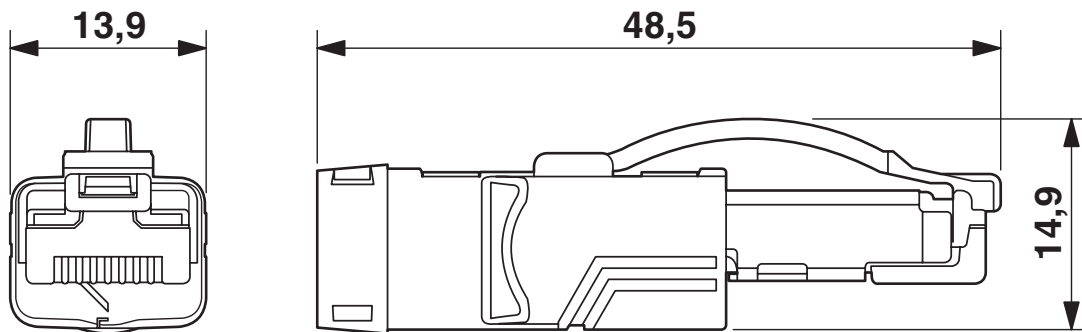
<https://www.phoenixcontact.com/pc/products/1408969>

Circuit diagram



Contact assignment of RJ45 plugs

Dimensional drawing



RJ45 connector, IP20

# Patch cable - NBC-R4AC/2,0-93B/R4AC



1408969

<https://www.phoenixcontact.com/pc/products/1408969>

## Approvals

**ERC** **EAC**  
Approval ID: 19060508

**ERC** **EAC**  
Approval ID: B.00385/20

# Patch cable - NBC-R4AC/2,0-93B/R4AC



1408969

<https://www.phoenixcontact.com/pc/products/1408969>

## Classifications

### ECLASS

ECLASS-9.0	27060308
ECLASS-10.0.1	27060308
ECLASS-11.0	27060308

### ETIM

ETIM 8.0	EC002599
----------	----------

### UNSPSC

UNSPSC 21.0	26121600
-------------	----------



# Patch cable - NBC-R4AC/2,0-93B/R4AC



1408969

<https://www.phoenixcontact.com/pc/products/1408969>

## Environmental Product Compliance

China RoHS	Environmentally friendly use period: unlimited = EFUP-e No hazardous substances above threshold values
------------	---

Phoenix Contact 2022 © - all rights reserved  
<https://www.phoenixcontact.com>

PHOENIX CONTACT GmbH & Co. KG  
Flachmarktstraße 8  
D-32825 Blomberg  
+49 (0) 5235-3 00  
[info@phoenixcontact.com](mailto:info@phoenixcontact.com)