

# Ring cable lug - C-RCEI 2,5/M8

3241210

<https://www.phoenixcontact.com/pc/products/3241210>

Please be informed that the data shown in this PDF document is generated from our Online Catalog. Please find the complete data in the user documentation. Our General Terms of Use for Downloads are valid.

---



Ring cable lug, blue, 1.5 ... 2.5 mm<sup>2</sup>, M8, with copper sleeve incorporated, for insulation crimp

---

## Your advantages

- The sleeves are conically tapered to facilitate easy and correct insertion of the conductor
- The mechanical load capacity of the connection is significantly increased by the additionally applied copper sleeve (insulation crimp).

# Ring cable lug - C-RCEI 2,5/M8



3241210

<https://www.phoenixcontact.com/pc/products/3241210>

## Commercial Data

Item number	3241210
Packing unit	100 pc
Minimum order quantity	1 pc
Product Key	BH3421
Catalog Page	Page 493 (C-3-2019)
GTIN	4046356826150
Weight per Piece (including packing)	1.403 g
Weight per Piece (excluding packing)	1.403 g
Customs tariff number	85369010
Country of origin	TW

# Ring cable lug - C-RCEI 2,5/M8

3241210

<https://www.phoenixcontact.com/pc/products/3241210>

## Technical Data

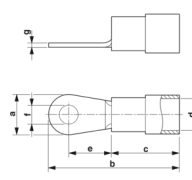
### Product properties

Product type	Connector
--------------	-----------

### Electrical properties

Fuse	yes
------	-----

### Dimensions

Dimensional drawing	
Width	12 mm
Length	28 mm
Length of the insulating material sleeve	11 mm
Distance from the center to the insulating material sleeve	11 mm
Min. material thickness	0.8 mm
Inner dimensions of the insulating collar	4.5 mm

### Internal dimensions

Internal diameter	8.4 mm
-------------------	--------

### Material specifications

Color	blue
Material	Copper
Flammability rating according to UL 94	V2
Coating	tin-plated
Insulating material	PA
Components	halogen-free

### Connector

Material	Copper
Material	Copper

### Environmental and real-life conditions

#### Ambient conditions

Optimum ambient temperature (storage/transport)	20 °C 50 % Humidity (RH), store inside sealed original packaging. Avoid direct sunlight and heat.
Ambient temperature (operation)	-20 °C ... 105 °C
Ambient temperature (assembly)	-20 °C ... 100 °C
Short-term temperature	100 °C

# Ring cable lug - C-RCEI 2,5/M8

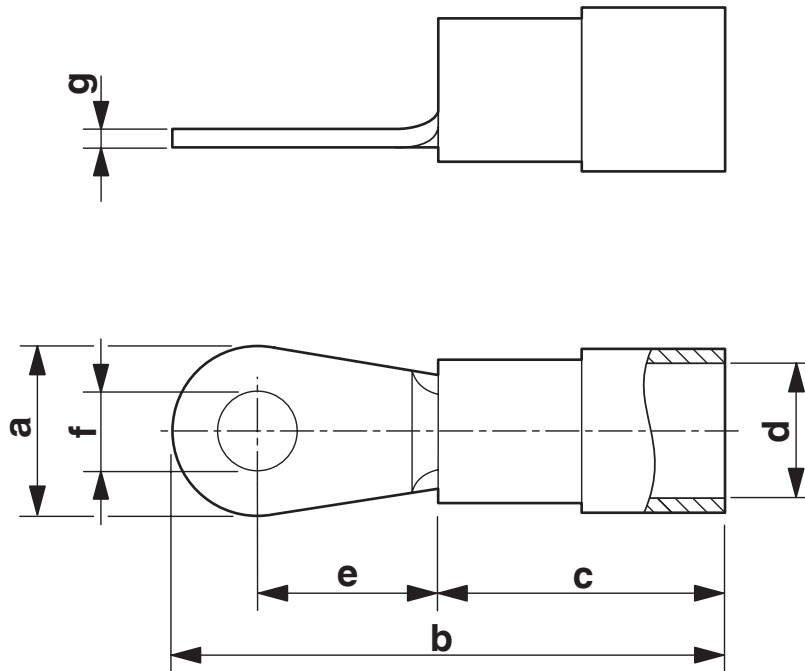
3241210

<https://www.phoenixcontact.com/pc/products/3241210>



## Drawings

Dimensional drawing



# Ring cable lug - C-RCEI 2,5/M8



3241210

<https://www.phoenixcontact.com/pc/products/3241210>

## Classifications

### ECLASS

ECLASS-9.0	27400204
ECLASS-10.0.1	27400204
ECLASS-11.0	27400204

### ETIM

ETIM 8.0	EC001052
----------	----------

### UNSPSC

UNSPSC 21.0	27121700
-------------	----------

# Ring cable lug - C-RCEI 2,5/M8



3241210

<https://www.phoenixcontact.com/pc/products/3241210>

## Environmental Product Compliance

China RoHS	Environmentally friendly use period: unlimited = EFUP-e No hazardous substances above threshold values
------------	---

Phoenix Contact 2022 © - all rights reserved  
<https://www.phoenixcontact.com>

PHOENIX CONTACT GmbH & Co. KG  
Flachmarktstraße 8  
D-32825 Blomberg  
+49 (0) 5235-3 00  
[info@phoenixcontact.com](mailto:info@phoenixcontact.com)