

Connector - SACC-M12MS-5QO-0,5-CM M



1414600

<https://www.phoenixcontact.com/pc/products/1414600>

Please be informed that the data shown in this PDF document is generated from our Online Catalog. Please find the complete data in the user documentation. Our General Terms of Use for Downloads are valid.



Connector, Universal, 5-position, Plug straight M12, Coding: A, Insulation displacement connection, knurl material: Zinc die-cast, nickel-plated, external cable diameter 4 mm ... 7 mm

Your advantages

- Safe use in the field, thanks to a high degree of protection
- Insulation displacement connection: innovative and time-saving assembly without stripping the single wire

Connector - SACC-M12MS-5QO-0,5-CM M



1414600

<https://www.phoenixcontact.com/pc/products/1414600>

Commercial Data

Item number	1414600
Packing unit	1 pc
Minimum order quantity	1 pc
Product Key	BF2CCA
Catalog Page	Page 17 (C-2-2017)
GTIN	4055626029474
Weight per Piece (including packing)	20.5 g
Weight per Piece (excluding packing)	20.5 g
Customs tariff number	85444290
Country of origin	DE

Connector - SACC-M12MS-5QO-0,5-CM M



1414600

<https://www.phoenixcontact.com/pc/products/1414600>

Technical Data

Notes

Assembly instruction:

NOTE: Observe the permissible bending radii when laying conductors, since the degree of protection may be put in jeopardy if the bending forces are too high. Alleviate mechanical loads upstream of the connector, e.g. by using cable ties.

Product properties

Product type	Circular connector (cable-side)
Number of positions	5
No. of cable outlets	1
Shielded	no
Coding	A - standard
Cable outlet	straight

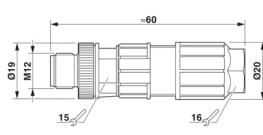
Insulation characteristics

Overvoltage category	II
Degree of pollution	3

Ambient conditions

Degree of protection	IP65
Ambient temperature (operation)	-40 °C ... 85 °C (Plug / socket)
Ambient temperature (assembly)	-5 °C ... 50 °C

Dimensions

Dimensional drawing	
Length	60 mm

External dimensions

Outside diameter	4 mm ... 7 mm
------------------	---------------

Housing

Diameter housing	20 mm
------------------	-------

Connector

Insertion/withdrawal cycles	≥ 100
-----------------------------	-------

Header 1

Head design	Plug
Head cable outlet	straight
Head thread type	M12

Connector - SACC-M12MS-5QO-0,5-CM M



1414600

<https://www.phoenixcontact.com/pc/products/1414600>

Coding	A-coded
Number of positions	5
Coding	A - standard
Insertion/withdrawal cycles	≥ 100
Connection method	Insulation displacement connection
Contact material	CuSn
Contact surface material	Ni/Au
Number of positions	5
Coding	A - standard
Insertion/withdrawal cycles	≥ 100
Connection method	Insulation displacement connection
Contact material	CuSn
Contact surface material	Ni/Au

Electrical properties

Rated surge voltage	0.8 kV
Insulation resistance	≥ 100 MΩ
Nominal voltage U _N	48 V AC
	60 V DC
Nominal current I _N	4 A

Material specifications

Color Handle area	black
Flammability rating according to UL 94	V0
Sealing material	FKM (Cable gland)
Material of grip body	PA-GF
Contact material	CuSn
Contact surface material	Ni/Au
Contact carrier material	PA 6.6
Cable gland material	Zinc die-cast, nickel-plated
Wire insulation material	PVC / PE / PP / rubber

Connection data

Conductor connection

Connection method	Insulation displacement connection
Conductor cross section flexible	0.14 mm ² ... 0.5 mm ²
Cross section AWG	26 ... 20

Pin assignment

Contact Color (signal designation) Contact (optional)	1 = BN
	2 = WH
	3 = BU
	4 = BK
	5 = GY

Connector - SACC-M12MS-5QO-0,5-CM M



1414600

<https://www.phoenixcontact.com/pc/products/1414600>

Standards and regulations

Standards/specifications	according to IEC 61076-2-101
--------------------------	------------------------------

Cable / line

Cable structure

Signal type/category	Universal
----------------------	-----------

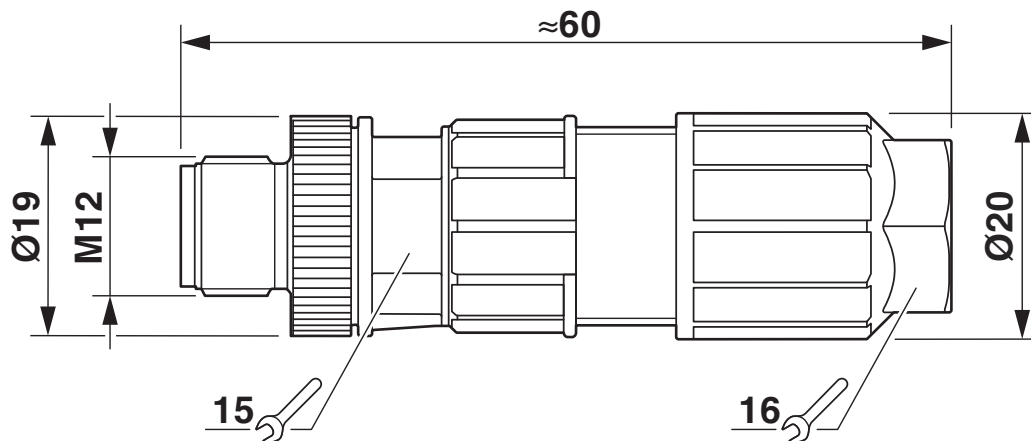
Connector - SACC-M12MS-5QO-0,5-CM M

1414600

<https://www.phoenixcontact.com/pc/products/1414600>

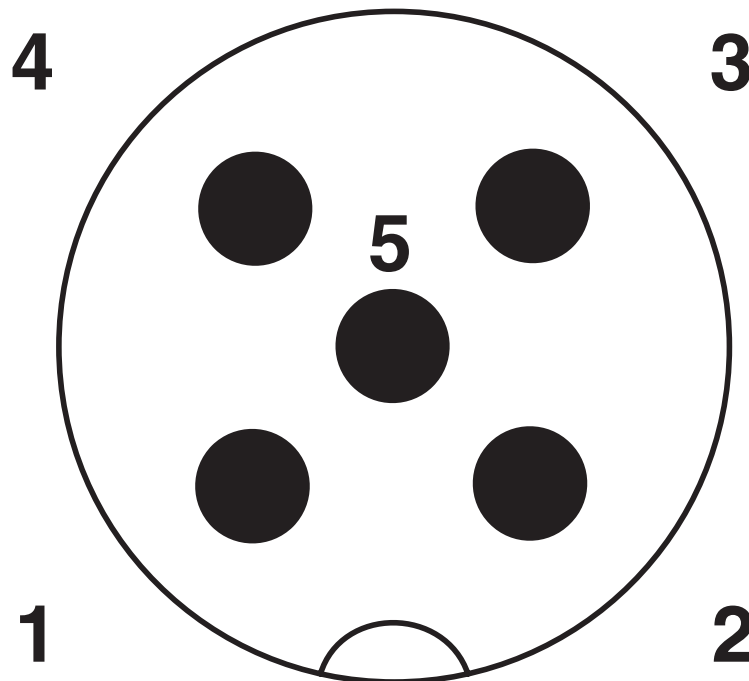
Drawings

Dimensional drawing



Plug, M12 x 1, straight

Schematic diagram



Pin assignment M12 male connector, 5-pos., A-coded, male side

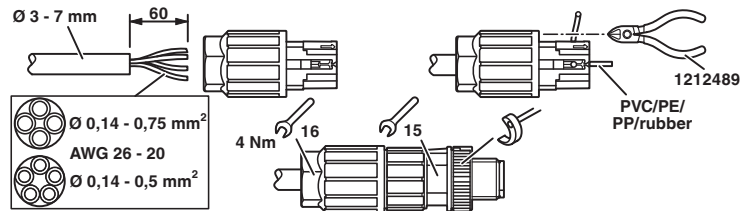
Connector - SACC-M12MS-5QO-0,5-CM M

1414600

<https://www.phoenixcontact.com/pc/products/1414600>



Functional drawing



Connector - SACC-M12MS-5QO-0,5-CM M



1414600

<https://www.phoenixcontact.com/pc/products/1414600>

Classifications

ECLASS

ECLASS-9.0	27440102
ECLASS-10.0.1	27440102
ECLASS-11.0	27440102

ETIM

ETIM 8.0	EC002635
----------	----------

UNSPSC

UNSPSC 21.0	39121400
-------------	----------

Connector - SACC-M12MS-5QO-0,5-CM M



1414600

<https://www.phoenixcontact.com/pc/products/1414600>

Environmental Product Compliance

China RoHS	Environmentally friendly use period: unlimited = EFUP-e
	No hazardous substances above threshold values

Connector - SACC-M12MS-5QO-0,5-CM M



1414600

<https://www.phoenixcontact.com/pc/products/1414600>

Accessories

Diagonal cutter

Diagonal cutter - MICROFOX-SB - 1212489

<https://www.phoenixcontact.com/pc/products/1212489>



Electronic diagonal cutter, round head, without chamfer, with opening spring, mirror-polished and oiled, 2-component grip, cutting capacity: soft 0.2 - 2.0 mm; medium hard 1.2 mm; hard 0.5 mm diameter

Stripping tool

Stripping tool - WIREFOX-D 40 - 1212161

<https://www.phoenixcontact.com/pc/products/1212161>



Stripping tool, for stripping cables of 4.5 mm - 40 mm-Ø, insulation thickness of up to 4.5 mm, pivoting blade for round, lengthwise, and spiral cuts

Connector - SACC-M12MS-5QO-0,5-CM M



1414600

<https://www.phoenixcontact.com/pc/products/1414600>

Stripping tool

Stripping tool - WIREFOX SAC - 1212623

<https://www.phoenixcontact.com/pc/products/1212623>



Stripping pliers, for halogen-free sensor/actuator cables (SAC cables), with PUR and PVC insulation, from \varnothing of 4.4 to 7 mm, any stripping length

Torque screwdriver

Torque screwdriver - TSD 04 SAC - 1208429

<https://www.phoenixcontact.com/pc/products/1208429>



Torque screwdriver, with preset torque of 0.4 Nm and 4 mm hexagonal drive for M12 connectors

Connector - SACC-M12MS-5QO-0,5-CM M

1414600

<https://www.phoenixcontact.com/pc/products/1414600>

Torque screwdriver

Torque screwdriver - TSD-M 1,2NM - 1212224

<https://www.phoenixcontact.com/pc/products/1212224>



Torque screw driver, accuracy as per EN ISO 6789 standard, adjustable from 0.3 - 1.2 Nm

Adapter insert

Adapter insert - TSD-M SAC-BIT ADAPTER - 1212600

<https://www.phoenixcontact.com/pc/products/1212600>



Adapter bit for TSD-M...torque tools, E6.3-1/4" drive with 4 mm hexagon to accommodate SAC bits

Connector - SACC-M12MS-5QO-0,5-CM M



1414600

<https://www.phoenixcontact.com/pc/products/1414600>

Sealing cap

Sealing cap - PROT-M12 FS-PA-CHAIN - 1430873

<https://www.phoenixcontact.com/pc/products/1430873>

M12 sealing cap made of plastic with fixing band, for sensor cables, for free M12 plugs



Tool

Tool - SACC BIT M12-D20 - 1208445

<https://www.phoenixcontact.com/pc/products/1208445>

Nut for assembling M12 connectors for assembly with a knurl diameter of 20 mm, for 4 mm hexagonal drive



Phoenix Contact 2022 © - all rights reserved
<https://www.phoenixcontact.com>

PHOENIX CONTACT GmbH & Co. KG
Flachsmarktstraße 8
D-32825 Blomberg
+49 (0) 5235-3 00
info@phoenixcontact.com