

Housing - HC-STA-B16-HHFD-BLANK-EL-AL



1420000

<https://www.phoenixcontact.com/pc/products/1420000>

Please be informed that the data shown in this PDF document is generated from our Online Catalog. Please find the complete data in the user documentation. Our General Terms of Use for Downloads are valid.



Sleeve housing B16, for double locking latch, material: Die-cast aluminum, salt water resistant, variable, height: 76 mm, cable gland: none, Standard, Without thread opening for screw connection

Product Description

Sleeve housing, without screw thread

Your advantages

- good shielding in the event of electromagnetic interference

Housing - HC-STA-B16-HHFD-BLANK-EL-AL



1420000

<https://www.phoenixcontact.com/pc/products/1420000>

Commercial Data

Item number	1420000
Packing unit	1 pc
Minimum order quantity	1 pc
Product Key	BF7APB
Catalog Page	Page 624 (C-2-2019)
GTIN	4055626201351
Weight per Piece (including packing)	243.5 g
Weight per Piece (excluding packing)	243.5 g
Customs tariff number	85389099
Country of origin	CN

1420000

<https://www.phoenixcontact.com/pc/products/1420000>

Technical Data

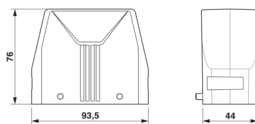
Notes

General	For contact inserts HC-B16, BB32, D40, DD72, HS6, HV6, M, K
---------	-------------------------------------------------------------

Product properties

Type	B16
Product type	Housing with locking latch
Application	Standard
Housing type	Sleeve housing
Locking type	for double locking latch
Cable outlet	variable
Pg screw connection	none

Dimensions

Dimensional drawing	
Width	44 mm
Height	76 mm
Length	93.5 mm

Material specifications

Color	gray aluminum
Housing surface material	uncoated
Impact strength	IK09
Housing material	Die-cast aluminum, salt water resistant

Ambient conditions

Degree of protection	IP66 IP67
Degree of protection	4 (UL 50e) 4X (UL 50e) 12 (UL 50e)
Impact strength	IK09
Ambient temperature (operation)	-40 °C ... 125 °C

Mechanical properties

Mechanical data

Locking type	Pin
--------------	-----

Housing - HC-STA-B16-HHFD-BLANK-EL-AL

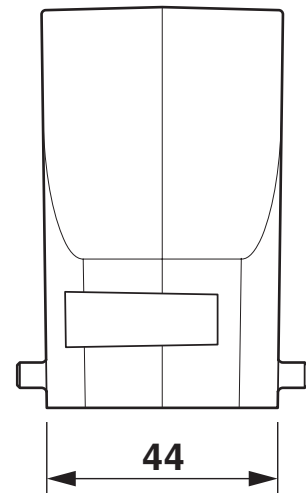
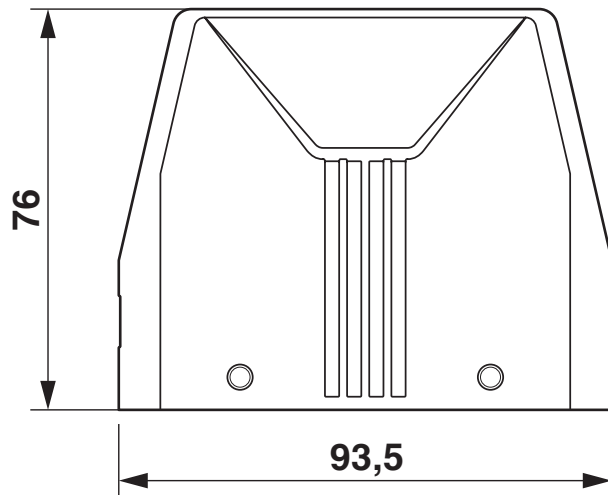
1420000

<https://www.phoenixcontact.com/pc/products/1420000>



Drawings

Dimensional drawing



Dimensional drawing

Housing - HC-STA-B16-HHFD-BLANK-EL-AL



1420000

<https://www.phoenixcontact.com/pc/products/1420000>

Approvals

DNV

Approval ID: TAE000037S

EAC

EAC

Approval ID: RU C-DE.AI30.B.01102

EAC

EAC

Approval ID: RU C-DE.BL08.B.00511

1420000

<https://www.phoenixcontact.com/pc/products/1420000>

Classifications

ECLASS

ECLASS-9.0	27440202
ECLASS-10.0.1	27440202
ECLASS-11.0	27440202

ETIM

ETIM 8.0	EC000437
----------	----------

UNSPSC

UNSPSC 21.0	31261500
-------------	----------

Housing - HC-STA-B16-HHFD-BLANK-EL-AL



1420000

<https://www.phoenixcontact.com/pc/products/1420000>

Environmental Product Compliance

China RoHS	Environmentally friendly use period: unlimited = EFUP-e No hazardous substances above threshold values
------------	-----------------------------------------------------------------------------------------------------------

Housing - HC-STA-B16-HHFD-BLANK-EL-AL



1420000

<https://www.phoenixcontact.com/pc/products/1420000>

Accessories

Protective cover

Protective cover - HC-B16-HCLWD-PLR-BK - 1414639

<https://www.phoenixcontact.com/pc/products/1414639>



Protective cover B16, with double locking latch, protective cover material: PA, height: 21.6 mm, seal: yes, diameter of retaining cord eyelet: 30 mm

Plastic label

Plastic label - US-EMLP (20X9) CUS - 0830085

<https://www.phoenixcontact.com/pc/products/0830085>



Plastic label, can be ordered: by card, white, labeled according to customer specifications, mounting type: adhesive, lettering field size: 20 x 9 mm, Number of individual labels: 75

Phoenix Contact 2022 © - all rights reserved

<https://www.phoenixcontact.com>

PHOENIX CONTACT GmbH & Co. KG

Flachsmarktstraße 8

D-32825 Blomberg

+49 (0) 5235-3 00

info@phoenixcontact.com