

# Cable gland - HC-B-G-M20-ER-AL



1411442

<https://www.phoenixcontact.com/pc/products/1411442>

Please be informed that the data shown in this PDF document is generated from our Online Catalog. Please find the complete data in the user documentation. Our General Terms of Use for Downloads are valid.

---

EVO metal cable gland with bayonet locking, B series, size M20, cable diameter: 7 - 13 mm



# Cable gland - HC-B-G-M20-ER-AL



1411442

<https://www.phoenixcontact.com/pc/products/1411442>

## Commercial Data

Item number	1411442
Packing unit	1 pc
Minimum order quantity	1 pc
Product Key	BF7APM
Catalog Page	Page 573 (C-4-2015)
GTIN	4046356932417
Weight per Piece (including packing)	75.3 g
Weight per Piece (excluding packing)	75.3 g
Customs tariff number	85389099
Country of origin	DE

# Cable gland - HC-B-G-M20-ER-AL

1411442

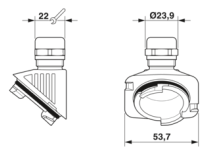
<https://www.phoenixcontact.com/pc/products/1411442>

## Technical Data

### Product properties

Product type	Cable gland with bayonet locking
No. of conductors	1
Type of the screw connection	M20
Shielded	no

### Dimensions

Dimensional drawing	
Width	54 mm
Height	54.8 mm
Depth	54.8 mm
Wrench size, union nut	22 mm

### Material specifications

Color	silver
Material	Die-cast aluminum, corrosion-resistant
Sealing material	NBR (O-ring) NBR ()
Material, pressure screw	Nickel-plated brass
Cable seal material	NBR
Cable gland material	Aluminum
Housing material	Die-cast aluminum, corrosion resistant

### Connector

Material	Die-cast aluminum, corrosion-resistant
Housing material	Die-cast aluminum, corrosion resistant
Material	Die-cast aluminum, corrosion-resistant

### Cable / line

Cable structure	
External cable diameter	9 mm ... 12 mm
Master cable data/connection data	
Tightening torque, union nut	7.50 Nm

### Mechanical properties

Mechanical data	
-----------------	--

# Cable gland - HC-B-G-M20-ER-AL



1411442

<https://www.phoenixcontact.com/pc/products/1411442>

Type of the screw connection	M20
------------------------------	-----

## Environmental and real-life conditions

### Ambient conditions

Degree of protection	IP66
	IP67
Degree of protection	4 (UL 50e)
	4X (UL 50e)
	12 (UL 50e)
Ambient temperature (operation)	-40 °C ... 125 °C (static)

# Cable gland - HC-B-G-M20-ER-AL

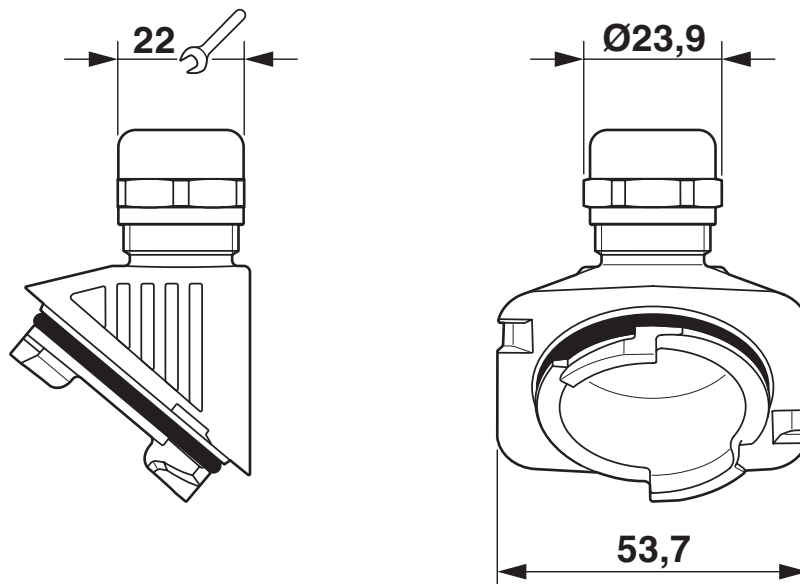
1411442

<https://www.phoenixcontact.com/pc/products/1411442>



## Drawings

Dimensional drawing



Dimensional drawing

# Cable gland - HC-B-G-M20-ER-AL



1411442

<https://www.phoenixcontact.com/pc/products/1411442>

## Approvals

**DNV**

Approval ID: TAE000037S



**cUL Recognized**

Approval ID: E255026



**UL Recognized**

Approval ID: E255026



**EAC**

Approval ID: RU C-DE.AI30.B.01102



**EAC**

Approval ID: RU D-DE.HB35.B.00387

**cULus Recognized**

# Cable gland - HC-B-G-M20-ER-AL



1411442

<https://www.phoenixcontact.com/pc/products/1411442>

## Classifications

### ECLASS

ECLASS-9.0	27144432
ECLASS-10.0.1	27144432
ECLASS-11.0	27144432

### ETIM

ETIM 8.0	EC000441
----------	----------

### UNSPSC

UNSPSC 21.0	39121300
-------------	----------

# Cable gland - HC-B-G-M20-ER-AL



1411442

<https://www.phoenixcontact.com/pc/products/1411442>

## Environmental Product Compliance

REACH SVHC	Lead 7439-92-1
China RoHS	Environmentally Friendly Use Period = 50 years
	For information on hazardous substances, refer to the manufacturer's declaration available under "Downloads"

Phoenix Contact 2022 © - all rights reserved

<https://www.phoenixcontact.com>

PHOENIX CONTACT GmbH & Co. KG

Flachsmarktstraße 8

D-32825 Blomberg

+49 (0) 5235-3 00

[info@phoenixcontact.com](mailto:info@phoenixcontact.com)