

Patch cable - NBC-R4AC/1,5-93B/R4AC



1424815

<https://www.phoenixcontact.com/pc/products/1424815>

Please be informed that the data shown in this PDF document is generated from our Online Catalog. Please find the complete data in the user documentation. Our General Terms of Use for Downloads are valid.



Patch cable, degree of protection: IP20, cable length: 1.5 m, number of positions: 4, 100 Mbps, CAT5, material: PA 6.6, PROFINET

Patch cable - NBC-R4AC/1,5-93B/R4AC



1424815

<https://www.phoenixcontact.com/pc/products/1424815>

Commercial Data

Item number	1424815
Packing unit	1 pc
Minimum order quantity	1 pc
Note	Made to Order (non-returnable)
Product Key	ABNAAL
GTIN	4055626381145
Weight per Piece (including packing)	126 g
Weight per Piece (excluding packing)	120 g
Customs tariff number	85444290
Country of origin	PL

Patch cable - NBC-R4AC/1,5-93B/R4AC



1424815

<https://www.phoenixcontact.com/pc/products/1424815>

Technical Data

Product properties

Product type	Data cable preassembled
Number of positions	4
Connection profile	RJ45 8(4)
Number of slots	1
Shielded	yes

Insulation characteristics

Overvoltage category	I
Degree of pollution	1

LED signaling

Status display	No
Status display present	No

Electrical properties

Rated voltage (III/3)	72 V (DC)
Nominal voltage U_N	48 V
Nominal current I_N	1 A
Transmission medium	Copper

Material specifications

Flammability rating according to UL 94	V2
Contact material	CuSn
Contact surface material	Ni/Au
Housing material	PA 6.6

Connector

Insertion/withdrawal cycles	≥ 750
-----------------------------	-------

Header 1

Handle color	black
Material	CuSn (Contact)
	Ni/Au (Contact surface)
	PA (Contact carriers)
	PA (Housing)
Insertion/withdrawal cycles	≥ 750
Degree of protection	IP20
Ambient temperature (operation)	-25 °C ... 80 °C

Head 2

Handle color	black
	CuSn (Contact)

Patch cable - NBC-R4AC/1,5-93B/R4AC



1424815

<https://www.phoenixcontact.com/pc/products/1424815>

Material	Ni/Au (Contact surface)
	PA (Contact carriers)
	PA (Housing)
Insertion/withdrawal cycles	≥ 750
Ambient temperature (operation)	-25 °C ... 80 °C
Number of positions	4
Connection profile	RJ45 8(4)
Insertion/withdrawal cycles	≥ 750
Contact material	CuSn
Contact surface material	Ni/Au
Housing material	PA 6.6
Degree of protection	IP20
Number of positions	4
Connection profile	RJ45 8(4)
Insertion/withdrawal cycles	≥ 750
Contact material	CuSn
Contact surface material	Ni/Au

Cable / line

Cable length	1.50 m
--------------	--------

Cable structure

Cable type	PROFINET type B
Cable type	Round cable
Outer sheath, material	PVC
External sheath, color	green RAL 6018

Ambient conditions

Degree of protection	IP20 (RJ45 connector)
Degree of protection	IP20
Ambient temperature (operation)	-25 °C ... 80 °C (RJ45 connector)

Patch cable - NBC-R4AC/1,5-93B/R4AC

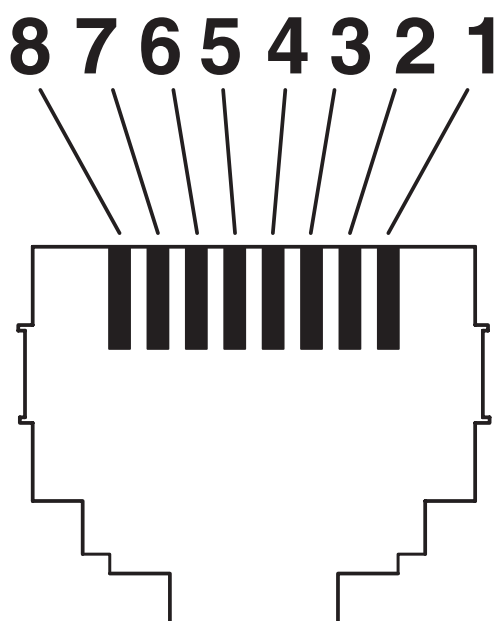
1424815

<https://www.phoenixcontact.com/pc/products/1424815>



Drawings

Schematic diagram



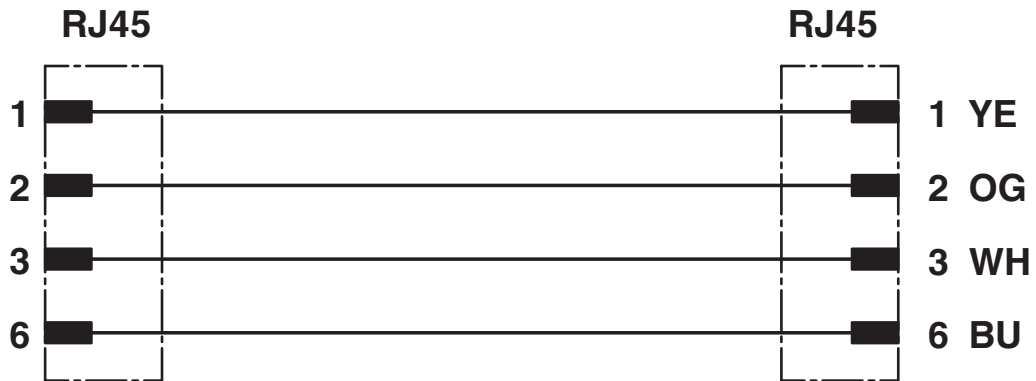
Connector pin assignment plug RJ45

Patch cable - NBC-R4AC/1,5-93B/R4AC

1424815

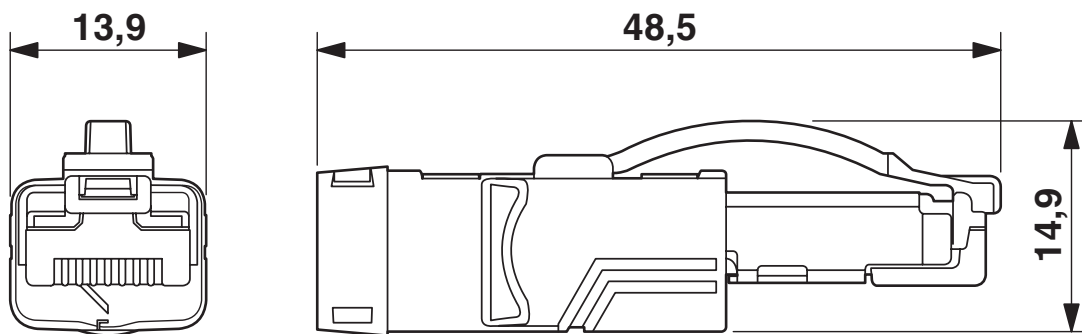
<https://www.phoenixcontact.com/pc/products/1424815>

Circuit diagram



Contact assignment of RJ45 plugs

Dimensional drawing



RJ45 connector, IP20

Patch cable - NBC-R4AC/1,5-93B/R4AC



1424815

<https://www.phoenixcontact.com/pc/products/1424815>

Approvals

ERC EAC

ERC EAC

Patch cable - NBC-R4AC/1,5-93B/R4AC



1424815

<https://www.phoenixcontact.com/pc/products/1424815>

Classifications

ECLASS

ECLASS-9.0	27060308
ECLASS-10.0.1	27060308
ECLASS-11.0	27060308

ETIM

ETIM 8.0	EC002599
----------	----------

UNSPSC

UNSPSC 21.0	26121600
-------------	----------

Patch cable - NBC-R4AC/1,5-93B/R4AC



1424815

<https://www.phoenixcontact.com/pc/products/1424815>

Environmental Product Compliance

China RoHS	Environmentally friendly use period: unlimited = EFUP-e No hazardous substances above threshold values
------------	---

Phoenix Contact 2022 © - all rights reserved
<https://www.phoenixcontact.com>

PHOENIX CONTACT GmbH & Co. KG
Flachmarktstraße 8
D-32825 Blomberg
+49 (0) 5235-3 00
info@phoenixcontact.com