

Connection terminal block - AKG 16 GNYE



0423027

<https://www.phoenixcontact.com/pc/products/0423027>

Please be informed that the data shown in this PDF document is generated from our Online Catalog. Please find the complete data in the user documentation. Our General Terms of Use for Downloads are valid.



Connection terminal block, nom. voltage: 300 V, nominal current: 76 A, connection method: Screw connection, Rated cross section: 16 mm², cross section: 1.5 mm² - 16 mm², mounting: Neutral busbar, color: green-yellow

Connection terminal block - AKG 16 GNYE



0423027

<https://www.phoenixcontact.com/pc/products/0423027>

Commercial Data

Item number	0423027
Packing unit	50 pc
Minimum order quantity	1 pc
Product Key	BE7331
Catalog Page	Page 555 (C-3-2019)
GTIN	4017918002008
Weight per Piece (including packing)	10.564 g
Weight per Piece (excluding packing)	10.55 g
Customs tariff number	85369010
Country of origin	IN

Connection terminal block - AKG 16 GNYE



0423027

<https://www.phoenixcontact.com/pc/products/0423027>

Technical Data

Product properties

Product type	Installation terminal block
Number of connections	1
Number of rows	1

Electrical properties

Maximum load current	76 A (with 16 mm ² conductor cross section)
Maximum power dissipation for nominal condition	2.43 W
Nominal current I _N	76 A
Current carrying capacity of the neutral busbar	140 A

Connection data

Nominal cross section	16 mm ²
Maximum load current	76 A (with 16 mm ² conductor cross section)

Level 1 above 1 below 1

Screw thread	M5
Tightening torque	2.5 ... 3 Nm
Stripping length	16 mm
Conductor cross section solid	1.5 mm ² ... 16 mm ²
Cross section AWG	16 ... 6
Conductor cross section flexible	1.5 mm ² ... 16 mm ²
Conductor cross section, flexible [AWG]	16 ... 6
Flexible conductor cross section flexible (ferrule, w/o plastic sleeve)	1.5 mm ² ... 16 mm ²
Flexible conductor cross section (ferrule with plastic sleeve)	1.5 mm ² ... 16 mm ²
2 conductors with same cross section, solid	1.5 mm ² ... 6 mm ²
2 conductors with same cross section, flexible	1.5 mm ² ... 6 mm ²
2 conductors with same cross section, flexible, with ferrule without plastic sleeve	1.5 mm ² ... 6 mm ²
2 conductors with the same cross section, flexible, with TWIN ferrule with plastic sleeve	1.5 mm ² ... 10 mm ²
Nominal current	76 A
Maximum load current	76 A (with 16 mm ² conductor cross section)
Nominal voltage	300 V
Nominal cross section	16 mm ²

Dimensions

Connection terminal block - AKG 16 GNYE



0423027

<https://www.phoenixcontact.com/pc/products/0423027>

Dimensional drawing	
Width	9.8 mm
Height	32 mm
Length	23.4 mm

Material specifications

Color	green-yellow
Flammability rating according to UL 94	V2
Insulating material	PA
Static insulating material application in cold	-40 °C
Temperature index of insulation material (DIN EN 60216-1 (VDE 0304-21))	125 °C
Relative insulation material temperature index (Elec., UL 746 B)	125 °C

Environmental and real-life conditions

Ambient conditions

Ambient temperature (operation)	-60 °C ... 105 °C (max. short-term operating temperature RTI Elec.)
Ambient temperature (storage/transport)	-25 °C ... 60 °C (for a short time, not exceeding 24 h, -60 °C to +70 °C)
Ambient temperature (assembly)	-5 °C ... 70 °C
Ambient temperature (actuation)	-5 °C ... 70 °C
Permissible humidity (storage/transport)	30 % ... 70 %

Mounting

Mounting type	Neutral busbar
---------------	----------------

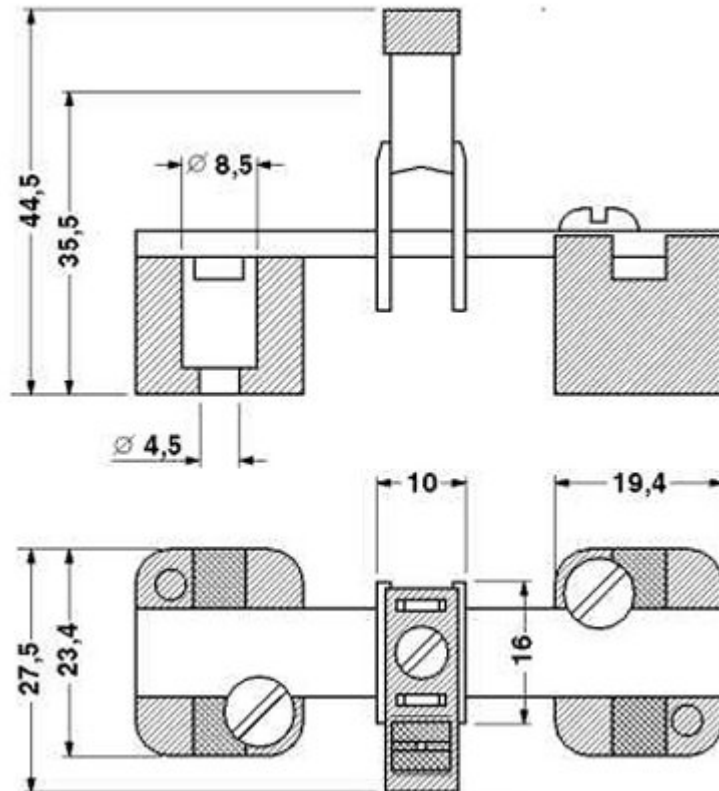
Connection terminal block - AKG 16 GNYE

0423027

<https://www.phoenixcontact.com/pc/products/0423027>

Drawings

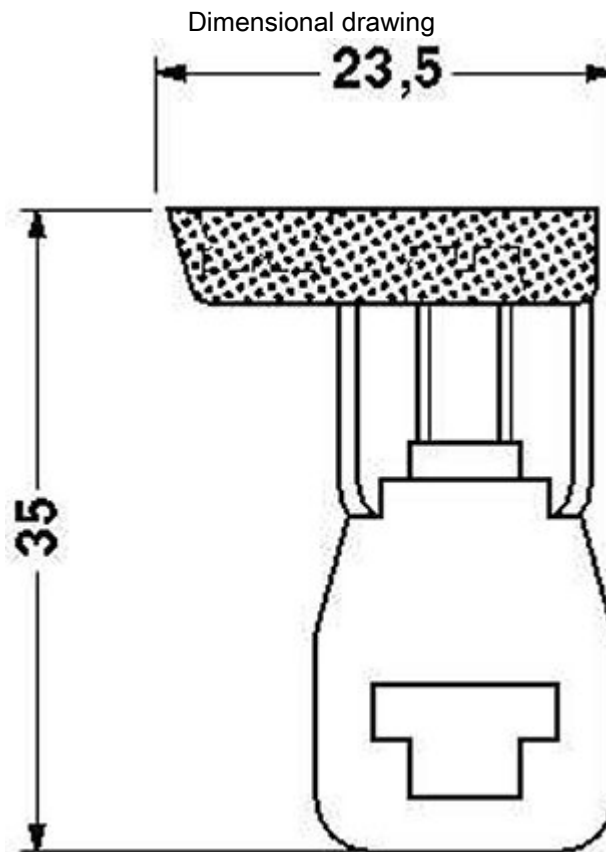
Dimensional drawing



Connection terminal block - AKG 16 GNYE

0423027

<https://www.phoenixcontact.com/pc/products/0423027>




Connection terminal block - AKG 16 GNYE



0423027

<https://www.phoenixcontact.com/pc/products/0423027>

Approvals

 CSA Approval ID: 13631				
	Nominal Voltage U_N	Nominal Current I_N	Cross Section AWG	Cross Section mm^2
		65 A	18 - 6	-

 UL Recognized Approval ID: E60425				
	Nominal Voltage U_N	Nominal Current I_N	Cross Section AWG	Cross Section mm^2
Use group B			18 - 6	-
Use group C			18 - 6	-
Use group F			18 - 6	-

 EAC Approval ID: RU C-DE.BL08.B.00534				
---	--	--	--	--

Connection terminal block - AKG 16 GNYE



0423027

<https://www.phoenixcontact.com/pc/products/0423027>

Classifications

ECLASS

ECLASS-9.0	27141146
ECLASS-10.0.1	27141146
ECLASS-11.0	27141146

ETIM

ETIM 8.0	EC000001
----------	----------

UNSPSC

UNSPSC 21.0	31162900
-------------	----------

Connection terminal block - AKG 16 GNYE



0423027

<https://www.phoenixcontact.com/pc/products/0423027>

Environmental Product Compliance

China RoHS	Environmentally friendly use period: unlimited = EFUP-e
	No hazardous substances above threshold values

0423027

<https://www.phoenixcontact.com/pc/products/0423027>

Accessories



Note: Applying some accessories below might limit this product.

Screwdriver

Screwdriver - SZS 1,0X4,0 VDE - 1205066

<https://www.phoenixcontact.com/pc/products/1205066>



Screwdriver, slot-headed, VDE insulated, size: 1.0 x 4.0 x 100 mm, 2-component grip, with non-slip grip

Screwdriver

Screwdriver - SZS 1,0X6,5 VDE - 1205079

<https://www.phoenixcontact.com/pc/products/1205079>



Screwdriver, slot-headed, VDE insulated, size: 1.0 x 6.5 x 150 mm, 2-component grip, with non-slip grip

Connection terminal block - AKG 16 GNYE

0423027

<https://www.phoenixcontact.com/pc/products/0423027>

Support bracket

Support bracket - ABN 2/SS - 0404460

<https://www.phoenixcontact.com/pc/products/0404460>



Double support bracket, insulating material, optionally for use with 3 x 10 mm or 6 x 6 mm busbar, height in closed state: 39 mm

Support bracket

Support bracket - UAB 1 - 3032431

<https://www.phoenixcontact.com/pc/products/3032431>



Support bracket, color: gray

Connection terminal block - AKG 16 GNYE

0423027

<https://www.phoenixcontact.com/pc/products/0423027>

Support bracket

Support bracket - AB2/SS - 0404431

<https://www.phoenixcontact.com/pc/products/0404431>



Double support bracket, insulating material, optionally for use with 3 mm x 10 mm or 6 mm x 6 mm busbar, height: 48 mm

Support bracket

Support bracket - AB/SS - 0404428

<https://www.phoenixcontact.com/pc/products/0404428>



Support bracket made from insulation material, with retaining screw, can be used with either 3 x 10 mm or 6 x 6 mm busbar, color: gray

Connection terminal block - AKG 16 GNYE

0423027

<https://www.phoenixcontact.com/pc/products/0423027>

Zack marker strip

Zack marker strip - ZB 6:UNBEDRUCKT - 1051003

<https://www.phoenixcontact.com/pc/products/1051003>



Zack marker strip, Strip, white, unlabeled, can be labeled with: PLOTMARK, CMS-P1-PLOTTER, mounting type: snap in, for terminal block width: 6.2 mm, lettering field size: 6.15 x 10.5 mm, Number of individual labels: 10

Zack marker strip

Zack marker strip - ZB 6 CUS - 0824992

<https://www.phoenixcontact.com/pc/products/0824992>



Zack marker strip, can be ordered: Strip, white, labeled according to customer specifications, mounting type: snap into tall marker groove, for terminal block width: 6.2 mm, lettering field size: 6.15 x 10.5 mm, Number of individual labels: 10

Connection terminal block - AKG 16 GNYE



0423027

<https://www.phoenixcontact.com/pc/products/0423027>

Zack marker strip

Zack marker strip - ZB 6,LGS:FORTL.ZAHLEN - 1051016

<https://www.phoenixcontact.com/pc/products/1051016>



Zack marker strip, Strip, white, labeled, can be labeled with: CMS-P1-PLOTTER, printed horizontally: consecutive numbers 1 ... 10, 11 ... 20, etc. up to 491 ... 500, mounting type: snap into tall marker groove, for terminal block width: 6.2 mm, lettering field size: 6.15 x 10.5 mm, Number of individual labels: 10

Zack marker strip

Zack marker strip - ZB 6,QR:FORTL.ZAHLEN - 1051029

<https://www.phoenixcontact.com/pc/products/1051029>



Zack marker strip, Strip, white, labeled, can be labeled with: CMS-P1-PLOTTER, Printed vertically: consecutive numbers 1 ... 10, 11 ... 20, etc. up to 491 ... 500, mounting type: snap into tall marker groove, for terminal block width: 6.2 mm, lettering field size: 6.15 x 10.5 mm, Number of individual labels: 10

Connection terminal block - AKG 16 GNYE

0423027

<https://www.phoenixcontact.com/pc/products/0423027>

Zack marker strip

Zack marker strip - ZB 6,LGS:GLEICHE ZAHLEN - 1051032

<https://www.phoenixcontact.com/pc/products/1051032>



Zack marker strip, Strip, white, labeled, can be labeled with: CMS-P1-PLOTTER, printed horizontally: Identical numbers 1 or 2, etc. up to 100, mounting type: snap into tall marker groove, for terminal block width: 6.2 mm, lettering field size: 6.15 x 10.5 mm, Number of individual labels: 10

Marker for terminal blocks

Marker for terminal blocks - ZB 6,LGS:L1-N,PE - 1051414

<https://www.phoenixcontact.com/pc/products/1051414>



Marker for terminal blocks, Strip, white, labeled, can be labeled with: CMS-P1-PLOTTER, horizontal: L1, L2, L3, N, PE, L1, L2, L3, N, PE, mounting type: snap into tall marker groove, for terminal block width: 6.2 mm, lettering field size: 6.15 x 10.5 mm, Number of individual labels: 10

Connection terminal block - AKG 16 GNYE

0423027

<https://www.phoenixcontact.com/pc/products/0423027>

Marker for terminal blocks

Marker for terminal blocks - ZB 6,LGS:U-N - 1051430

<https://www.phoenixcontact.com/pc/products/1051430>



Marker for terminal blocks, Strip, white, labeled, can be labeled with: CMS-P1-PLOTTER, printed horizontally: U, V, W, N, GND, U, V, W, N, GND, mounting type: snap into tall marker groove, for terminal block width: 6.2 mm, lettering field size: 6.15 x 10.5 mm, Number of individual labels: 10

Marker for terminal blocks

Marker for terminal blocks - UC-TM 6 - 0818085

<https://www.phoenixcontact.com/pc/products/0818085>



Marker for terminal blocks, Sheet, white, unlabeled, can be labeled with: BLUEMARK ID COLOR, BLUEMARK ID, BLUEMARK CLED, PLOTMARK, CMS-P1-PLOTTER, mounting type: snap in, for terminal block width: 6.2 mm, lettering field size: 5.6 x 10.5 mm, Number of individual labels: 80

Connection terminal block - AKG 16 GNYE



0423027

<https://www.phoenixcontact.com/pc/products/0423027>

Marker for terminal blocks

Marker for terminal blocks - UC-TM 6 CUS - 0824589

<https://www.phoenixcontact.com/pc/products/0824589>



Marker for terminal blocks, can be ordered: by sheet, white, labeled according to customer specifications, mounting type: snap into tall marker groove, for terminal block width: 6.2 mm, lettering field size: 5.6 x 10.5 mm, Number of individual labels: 80

Marker for terminal blocks

Marker for terminal blocks - UCT-TM 6 - 0828736

<https://www.phoenixcontact.com/pc/products/0828736>



Marker for terminal blocks, Sheet, white, unlabeled, can be labeled with: TOPMARK NEO, TOPMARK LASER, BLUEMARK ID COLOR, BLUEMARK ID, BLUEMARK CLED, THERMOMARK PRIME, THERMOMARK CARD 2.0, THERMOMARK CARD, mounting type: snap in, for terminal block width: 6.2 mm, lettering field size: 5.6 x 10.5 mm, Number of individual labels: 60

Connection terminal block - AKG 16 GNYE



0423027

<https://www.phoenixcontact.com/pc/products/0423027>

Marker for terminal blocks

Marker for terminal blocks - UCT-TM 6 CUS - 0829602

<https://www.phoenixcontact.com/pc/products/0829602>

Marker for terminal blocks, can be ordered: by sheet, white, labeled according to customer specifications, mounting type: snap into tall marker groove, for terminal block width: 6.2 mm, lettering field size: 5.6 x 10.5 mm, Number of individual labels: 60




Neutral busbar

Neutral busbar - NLS-CU 3/10 SN 1000MM - 0402174

<https://www.phoenixcontact.com/pc/products/0402174>

Neutral busbar, DIN VDE 0611-4: 1991-02, material: Copper, tin-plated, color: silver



 Max. current carrying capacity: 140 A

Phoenix Contact 2022 © - all rights reserved
<https://www.phoenixcontact.com>

PHOENIX CONTACT GmbH & Co. KG
Flachmarktstraße 8
D-32825 Blomberg
+49 (0) 5235-3 00
info@phoenixcontact.com