

Housing - HC-STA-B16-SLWD-2SSM25-ELC-AL



1412855

<https://www.phoenixcontact.com/pc/products/1412855>

Please be informed that the data shown in this PDF document is generated from our Online Catalog. Please find the complete data in the user documentation. Our General Terms of Use for Downloads are valid.



Box mounting bases B16, with double locking latch, material: Die-cast aluminum, salt water resistant, cable outlets: 2, lateral, 2x M25, height: 68 mm, cable gland: none, Standard

Your advantages

- good shielding in the event of electromagnetic interference

Housing - HC-STA-B16-SLWD-2SSM25-ELC-AL



1412855

<https://www.phoenixcontact.com/pc/products/1412855>

Commercial Data

Item number	1412855
Packing unit	1 pc
Minimum order quantity	1 pc
Product Key	BF7APB
Catalog Page	Page 623 (C-2-2019)
GTIN	4055626060767
Weight per Piece (including packing)	320.5 g
Weight per Piece (excluding packing)	320.5 g
Customs tariff number	85389099
Country of origin	PL

1412855

<https://www.phoenixcontact.com/pc/products/1412855>

Technical Data

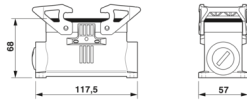
Notes

General	For contact inserts HC-B16, BB32, D40, DD72, HS6, HV6, M, K
---------	---

Product properties

Type	B16
Product type	Housing with locking latch
Application	Standard
No. of cable outlets	2
Type of the screw connection	2x M25
Housing type	Box mounting bases
Locking type	with double locking latch
Cable outlet	lateral
Pg screw connection	none

Dimensions

Dimensional drawing	
Width	57 mm
Height	68 mm
Length	117.5 mm
Hole diameter	5.5 mm

Material specifications

Color Housing	gray aluminum
Flammability rating according to UL 94	V0 (Interlock)
Sealing material	NBR, conductive (profile gasket)
Housing surface material	uncoated
Locking latch material	PA
Impact strength	IK09
Housing material	Die-cast aluminum, salt water resistant

Ambient conditions

Degree of protection	IP66
	IP67
Degree of protection	4 (UL 50e)
	4X (UL 50e)
	12 (UL 50e)
Impact strength	IK09

Housing - HC-STA-B16-SLWD-2SSM25-ELC-AL



1412855

<https://www.phoenixcontact.com/pc/products/1412855>

Ambient temperature (operation)	-40 °C ... 125 °C
---------------------------------	-------------------

Mechanical properties

Mechanical data

Type of the screw connection	2x M25
Locking type	Latch

Mounting

Assembly instructions	One opening is sealed with a plastic filler plug and can be opened using a screwdriver.
-----------------------	---

Housing - HC-STA-B16-SLWD-2SSM25-ELC-AL

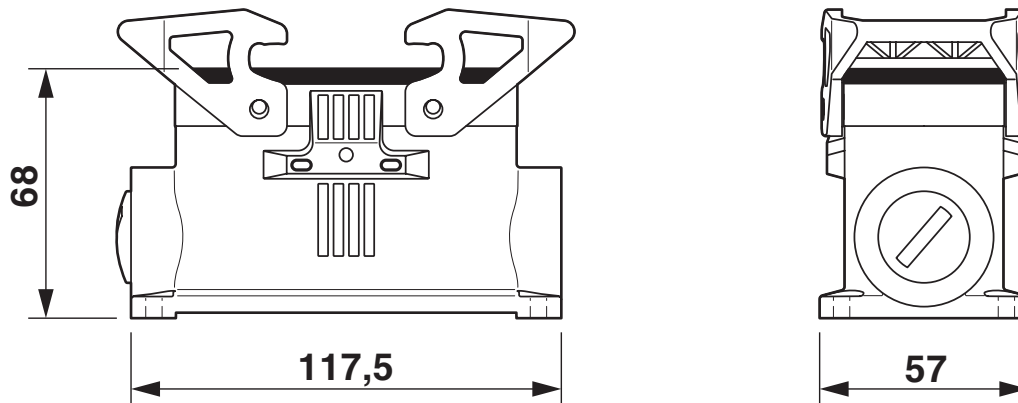


1412855

<https://www.phoenixcontact.com/pc/products/1412855>

Drawings

Dimensional drawing



Dimensional drawing

1412855

<https://www.phoenixcontact.com/pc/products/1412855>

Approvals

DNV

Approval ID: TAE000037S



cUL Recognized

Approval ID: E255026



UL Recognized

Approval ID: E255026



EAC

Approval ID: RU C-DE.AI30.B.01102



EAC

Approval ID: RU C-DE.BL08.B.00511

cULus Recognized

1412855

<https://www.phoenixcontact.com/pc/products/1412855>

Classifications

ECLASS

ECLASS-9.0	27440202
ECLASS-10.0.1	27440202
ECLASS-11.0	27440202

ETIM

ETIM 8.0	EC000437
----------	----------

UNSPSC

UNSPSC 21.0	31261500
-------------	----------

1412855

<https://www.phoenixcontact.com/pc/products/1412855>

Environmental Product Compliance

China RoHS	Environmentally friendly use period: unlimited = EFUP-e No hazardous substances above threshold values
------------	---

1412855

<https://www.phoenixcontact.com/pc/products/1412855>

Accessories

Cable gland

Cable gland - G-INS-M25-M68N-NNES-S - 1411165

<https://www.phoenixcontact.com/pc/products/1411165>



Cable gland, cable gland material: Nickel-plated brass, external cable diameter 11 mm ... 17 mm, shielding: no, connecting thread: M25 x 1.5, color: silver, with O-ring

Cable gland

Cable gland - G-INSEC-M25-S68N-NCRS-S - 1411190

<https://www.phoenixcontact.com/pc/products/1411190>



Cable gland, cable gland material: Nickel-plated brass, external cable diameter 11 mm ... 16 mm, shielding: yes, connecting thread: M25 x 1.5, color: silver, with O-ring

1412855

<https://www.phoenixcontact.com/pc/products/1412855>

Cable gland

Cable gland - HC-M-KV-M25(1ASI) - 1584020

<https://www.phoenixcontact.com/pc/products/1584020>



Metal screw connection for an AS-Interface flat-ribbon conductor, thread type M25

Cable gland

Cable gland - HC-M-KV-M25(1X10/1X11) - 1580228

<https://www.phoenixcontact.com/pc/products/1580228>



Special cable screw connection M25, brass nickel-plated, grommet with 10 mm and 11 mm holes

Housing - HC-STA-B16-SLWD-2SSM25-ELC-AL

1412855

<https://www.phoenixcontact.com/pc/products/1412855>

Profile gasket

Profile gasket - HC-B16-SP-CBK - 1411480

<https://www.phoenixcontact.com/pc/products/1411480>

Profile gasket for HEAVYCON EVO supporting base element type B16, conductive



Screw connection

Screw connection - WP-G HF IP66 M25 BK - 3240899

<https://www.phoenixcontact.com/pc/products/3240899>

Cable gland, metric thread, IP66 protection, straight



Housing - HC-STA-B16-SLWD-2SSM25-ELC-AL

1412855

<https://www.phoenixcontact.com/pc/products/1412855>

Screw connection

Screw connection - WP-G HF IP69K M25 BK - 3240885

<https://www.phoenixcontact.com/pc/products/3240885>



Cable gland, metric thread, IP68/69k protection, straight

Screw connection

Screw connection - WP-GA HF IP66 M25 BK - 3240927

<https://www.phoenixcontact.com/pc/products/3240927>



Cable gland, metric thread, IP66 protection, angled

Housing - HC-STA-B16-SLWD-2SSM25-ELC-AL

1412855

<https://www.phoenixcontact.com/pc/products/1412855>

Screw connection

Screw connection - WP-GA HF IP69K M25 BK - 3240913

<https://www.phoenixcontact.com/pc/products/3240913>

Cable gland, metric thread, IP68/69k protection, angled



Screw connection

Screw connection - WP-GR HF IP66 M25 BK - 3240955

<https://www.phoenixcontact.com/pc/products/3240955>

Cable gland, metric thread, IP66 protection, with strain relief



Housing - HC-STA-B16-SLWD-2SSM25-ELC-AL

1412855

<https://www.phoenixcontact.com/pc/products/1412855>

Screw connection

Screw connection - WP-GR HF IP69K M25 BK - 3240941

<https://www.phoenixcontact.com/pc/products/3240941>



Cable gland, metric thread, IP68/69k protection, with strain relief

Screw connection

Screw connection - WP-G PP HF M25 - 3240999

<https://www.phoenixcontact.com/pc/products/3240999>



Cable gland made from PP with metric thread, IP65 protection

Housing - HC-STA-B16-SLWD-2SSM25-ELC-AL

1412855

<https://www.phoenixcontact.com/pc/products/1412855>

Screw connection

Screw connection - WP-GT PP HF M25 - 3241013

<https://www.phoenixcontact.com/pc/products/3241013>



Cable gland made from PP with metric thread, rotatable, IP54 protection

Screw connection

Screw connection - WP-G BRASS IP40 M25 - 3241048

<https://www.phoenixcontact.com/pc/products/3241048>



Cable gland made from brass with metric thread, IP40 protection

1412855

<https://www.phoenixcontact.com/pc/products/1412855>

Screw connection

Screw connection - WP-GT BRASS M25 - 3241034

<https://www.phoenixcontact.com/pc/products/3241034>



Cable gland made from brass with metric thread, rotatable, IP40 protection

Screw connection

Screw connection - WP-G BRASS IP65 M25 - 3241062

<https://www.phoenixcontact.com/pc/products/3241062>



Cable gland made from brass with metric thread, IP65 protection

Housing - HC-STA-B16-SLWD-2SSM25-ELC-AL



1412855

<https://www.phoenixcontact.com/pc/products/1412855>

Housing brackets

Housing brackets - HC-STA-B10-24-DL-PLBK - 1412886

<https://www.phoenixcontact.com/pc/products/1412886>



Double locking latch for B10 / B16 / B24 housing, HC-EVO...AL and HC-STA...
AL

Phoenix Contact 2022 © - all rights reserved

<https://www.phoenixcontact.com>

PHOENIX CONTACT GmbH & Co. KG

Flachsmarktstraße 8

D-32825 Blomberg

+49 (0) 5235-3 00

info@phoenixcontact.com