

# Contact insert - HC-B 16-EBUS

1771464

<https://www.phoenixcontact.com/pc/products/1771464>

Please be informed that the data shown in this PDF document is generated from our Online Catalog. Please find the complete data in the user documentation. Our General Terms of Use for Downloads are valid.

---



HEAVYCON female insert, B16 series, 16-pos., screw connection

---

# Contact insert - HC-B 16-EBUS



1771464

<https://www.phoenixcontact.com/pc/products/1771464>

## Commercial Data

Item number	1771464
Packing unit	10 pc
Minimum order quantity	1 pc
Note	Made to Order (non-returnable)
Product Key	BF7ABC
Catalog Page	Page 345 (PC-2007)
GTIN	4017918036195
Weight per Piece (including packing)	115.4 g
Weight per Piece (excluding packing)	105.9 g
Customs tariff number	85366990
Country of origin	DE

# Contact insert - HC-B 16-EBUS

1771464

<https://www.phoenixcontact.com/pc/products/1771464>

## Technical Data

### Notes

General	For housing HC-B16
---------	--------------------

### Product properties

Type	B16
Product type	Contact insert with a fixed no. of positions
Number of positions	16
Connection profile	16+PE
No. of power contacts	16
Series	HC-B

### Insulation characteristics

Overvoltage category	III
Degree of pollution	3

### Connection data

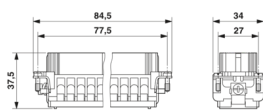
#### Connection technology

Connection technology	Screw connection
Connection in acc. with standard	IEC / EN

#### Conductor connection

Connection cross section AWG	20 ... 14 20 ... 12 (PE screw)
Tightening torque	0.5 Nm
Stripping length of the individual wire	7 mm

### Dimensions

Dimensional drawing	
Width	34 mm
Height	37.5 mm
Length	84.5 mm

### Electrical properties

Rated voltage (III/3)	500 V
Rated surge voltage	6 kV
Rated current	16 A

### Material specifications

Flammability rating according to UL 94	V0
--	----

# Contact insert - HC-B 16-EBUS



1771464

<https://www.phoenixcontact.com/pc/products/1771464>

Contact material	Copper alloy
Contact surface material	Ag
Contact carrier material	PA

## Connector

Insertion/withdrawal cycles	≥ 500
Contact type	Socket
Number of positions	16
Connection profile	16+PE
Insertion/withdrawal cycles	≥ 500
Contact material	Copper alloy
Contact surface material	Ag
Contact type	Socket
Number of positions	16
Connection profile	16+PE
Insertion/withdrawal cycles	≥ 500
Contact material	Copper alloy
Contact surface material	Ag

## Cable / line

### Cable structure

Stripping length of the individual wire	7 mm
---	------

## Mounting

Assembly instructions	For housings of type B16/B32. Connectors may only be actuated when there is no load/voltage.
-----------------------	--

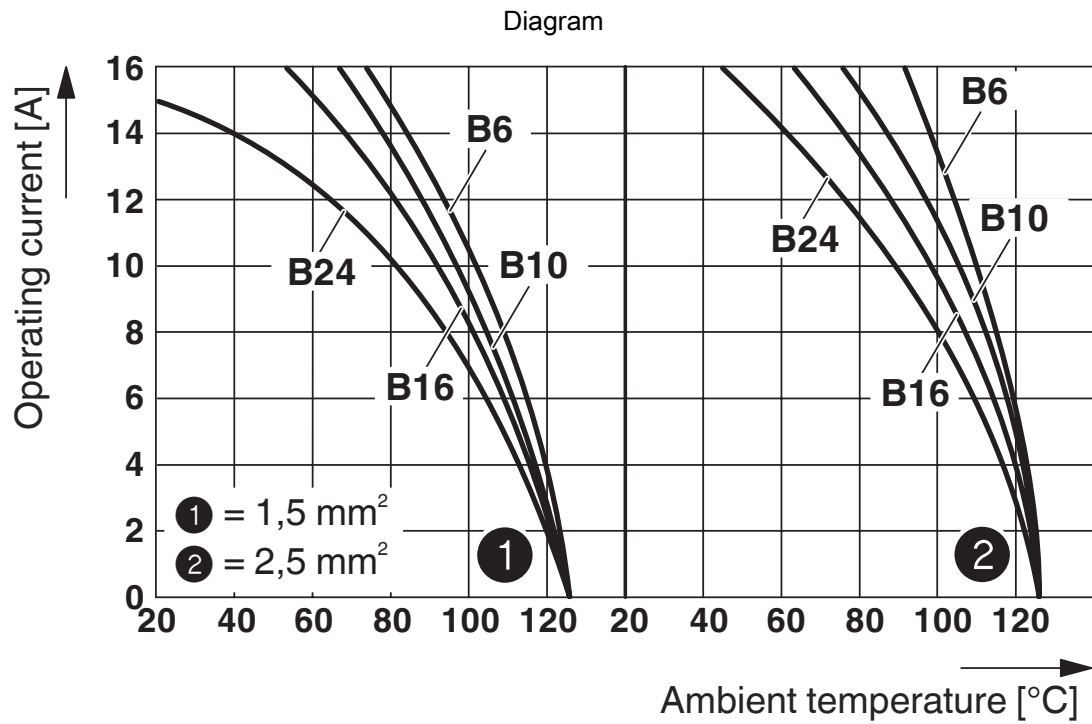
## Ambient conditions

Ambient temperature (operation)	-40 °C ... 125 °C (including heating up of contacts)
---------------------------------	--

## Standards and regulations

Constructional and testing regulations	DIN VDE 0627/86
	DIN VDE 0110/02.79
	DIN VDE 0110-1/04.97
	IEC 60664-1, DIN IEC 60512
	IEC 60352
Tests	DIN VDE 0627/86
	DIN VDE 0110/02.79
	DIN VDE 0110-1/04.97
	IEC 60664-1, DIN IEC 60512
	IEC 60352

## Drawings



Derating diagram: Series HC-B...S / HC-B...C

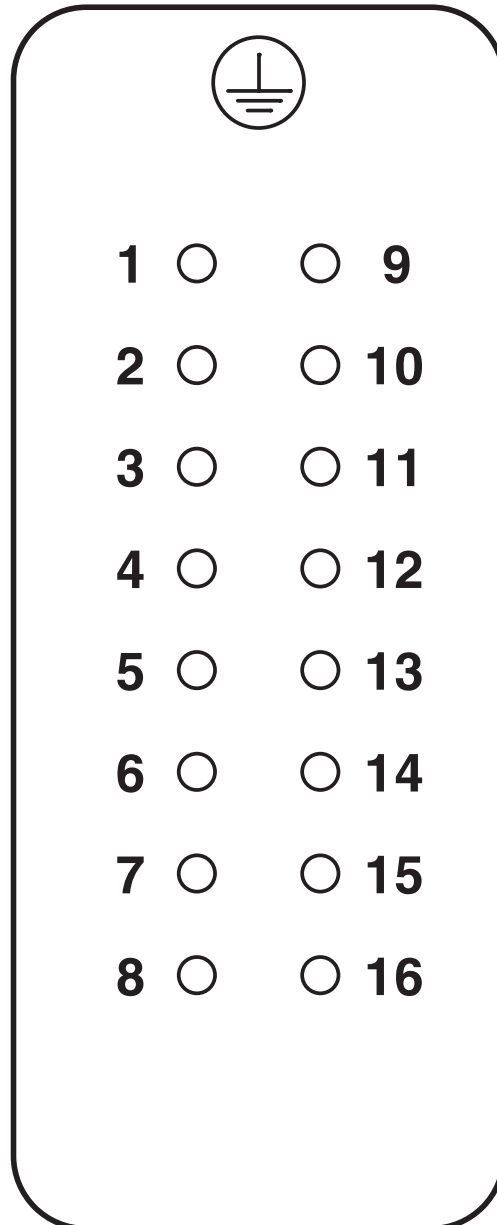
# Contact insert - HC-B 16-EBUS

1771464

<https://www.phoenixcontact.com/pc/products/1771464>



Schematic diagram

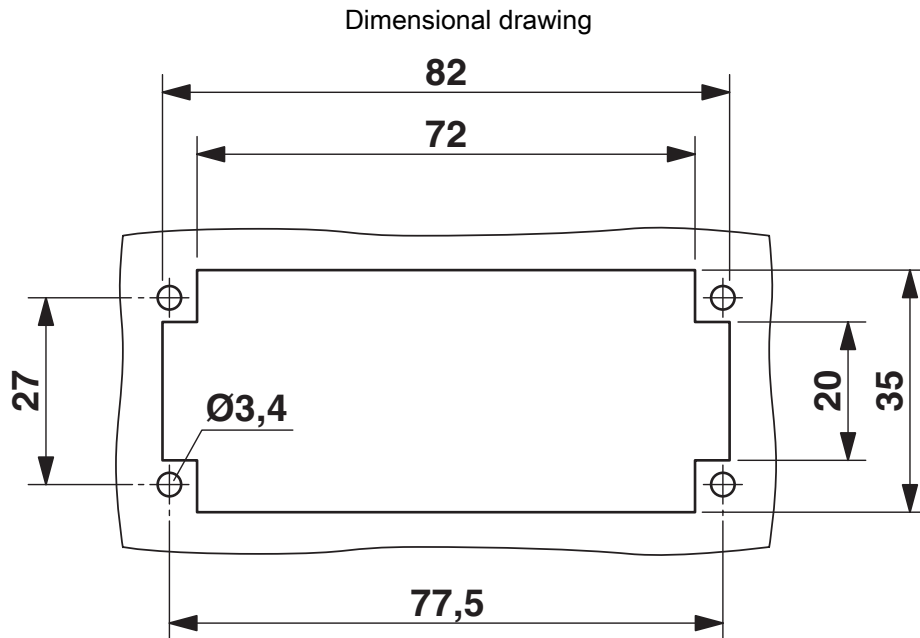


Connector pin assignment, connection side

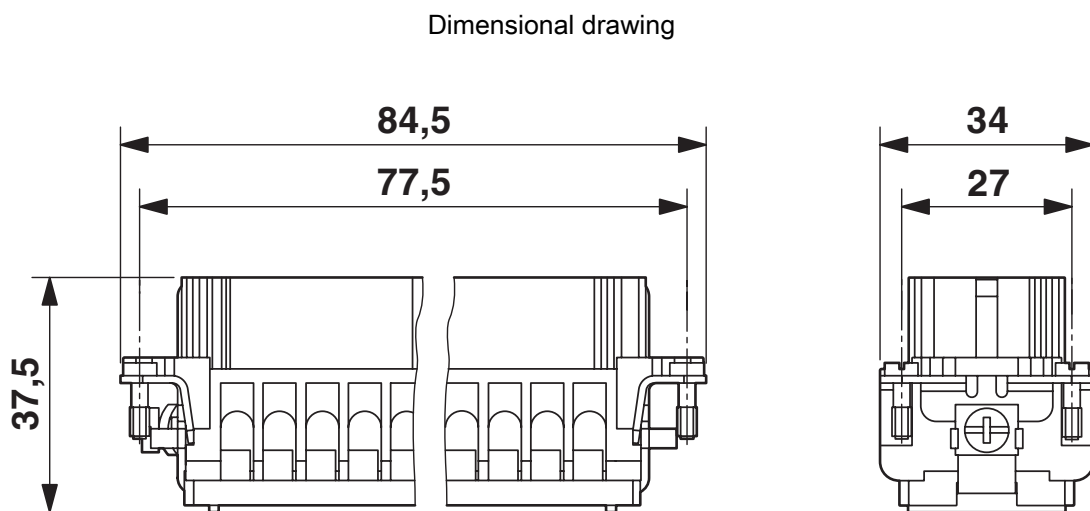
# Contact insert - HC-B 16-EBUS

1771464

<https://www.phoenixcontact.com/pc/products/1771464>



Mounting cutout



Female insert

# Contact insert - HC-B 16-EBUS



1771464

<https://www.phoenixcontact.com/pc/products/1771464>

## Classifications

### ECLASS

ECLASS-9.0	27440205
ECLASS-11.0	27440205



# Contact insert - HC-B 16-EBUS



1771464

<https://www.phoenixcontact.com/pc/products/1771464>

## Environmental Product Compliance

China RoHS	Environmentally friendly use period: unlimited = EFUP-e
	No hazardous substances above threshold values

# Contact insert - HC-B 16-EBUS



1771464

<https://www.phoenixcontact.com/pc/products/1771464>

## Accessories

### Coding bolt

Coding bolt - HC-CB - 1772722

<https://www.phoenixcontact.com/pc/products/1772722>



Coding pin, prevents mismatching of up to six connectors with an identical number of positions

---

### Strain relief clamp

Strain relief clamp - HC-B-ZG - 1685327

<https://www.phoenixcontact.com/pc/products/1685327>



Strain relief clamps contact inserts of series: B-, BB-, D 40, D 64, DD and HV, straight cable exit

# Contact insert - HC-B 16-EBUS

1771464

<https://www.phoenixcontact.com/pc/products/1771464>

## Strain relief clamp

Strain relief clamp - HC-B-ZS - 1685330

<https://www.phoenixcontact.com/pc/products/1685330>



Strain relief clamps contact inserts of series: B-, BB-, D 40, D 64, DD and HV, lateral cable exit

---

## Screw

Screw - HC-B-PES - 1604997

<https://www.phoenixcontact.com/pc/products/1604997>



PE screw, for contact inserts HC-B / HC-BB / HC-DD / HC-D40 / HC-D64

# Contact insert - HC-B 16-EBUS

1771464

<https://www.phoenixcontact.com/pc/products/1771464>

## DIN rail mounting frame

DIN rail mounting frame - HC-SMR-B16 - 1687972

<https://www.phoenixcontact.com/pc/products/1687972>

HEAVYCON DIN rail mounting frame, for contact inserts of type B16



---

## Coding element

Coding element - HC-CST - 1676857

<https://www.phoenixcontact.com/pc/products/1676857>

Coding peg for coding up to 16 connectors



# Contact insert - HC-B 16-EBUS

1771464

<https://www.phoenixcontact.com/pc/products/1771464>

## Coding element

Coding element - HC-CBU - 1676860

<https://www.phoenixcontact.com/pc/products/1676860>

Coding socket for coding up to 16 connectors



---

## PE multiplier

PE multiplier - HC-B-3PE - 1644326

<https://www.phoenixcontact.com/pc/products/1644326>

PE multiplier, for 3 PE connections, for HC-B / HC-BB / HC-DD / HC-D40 / HC-D64 contact inserts



---

Phoenix Contact 2022 © - all rights reserved  
<https://www.phoenixcontact.com>

PHOENIX CONTACT GmbH & Co. KG  
Flachsmarktstraße 8  
D-32825 Blomberg  
+49 (0) 5235-3 00  
[info@phoenixcontact.com](mailto:info@phoenixcontact.com)